

TR303 Trinidad

Front view



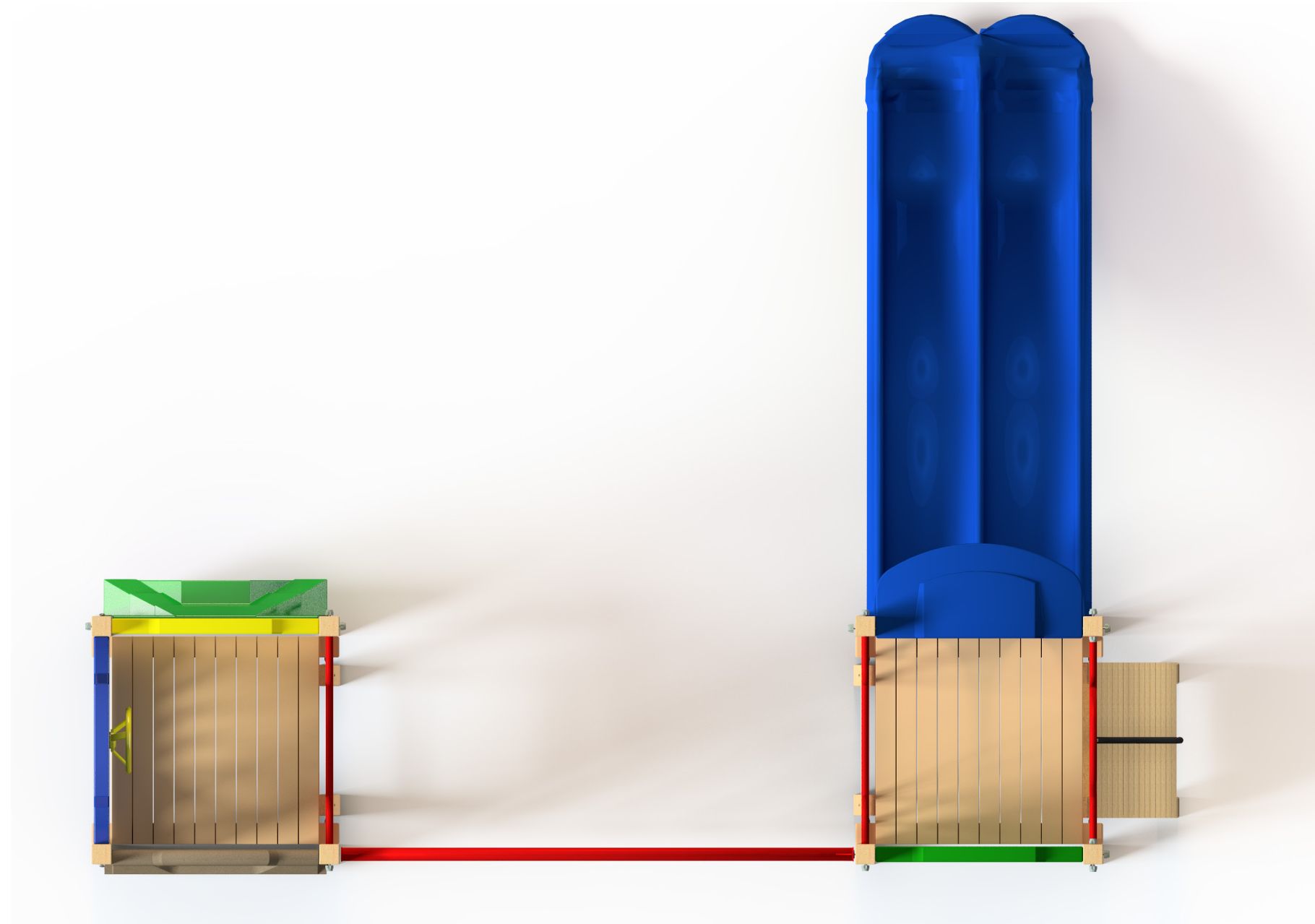
TR303 Trinidad

Rear view

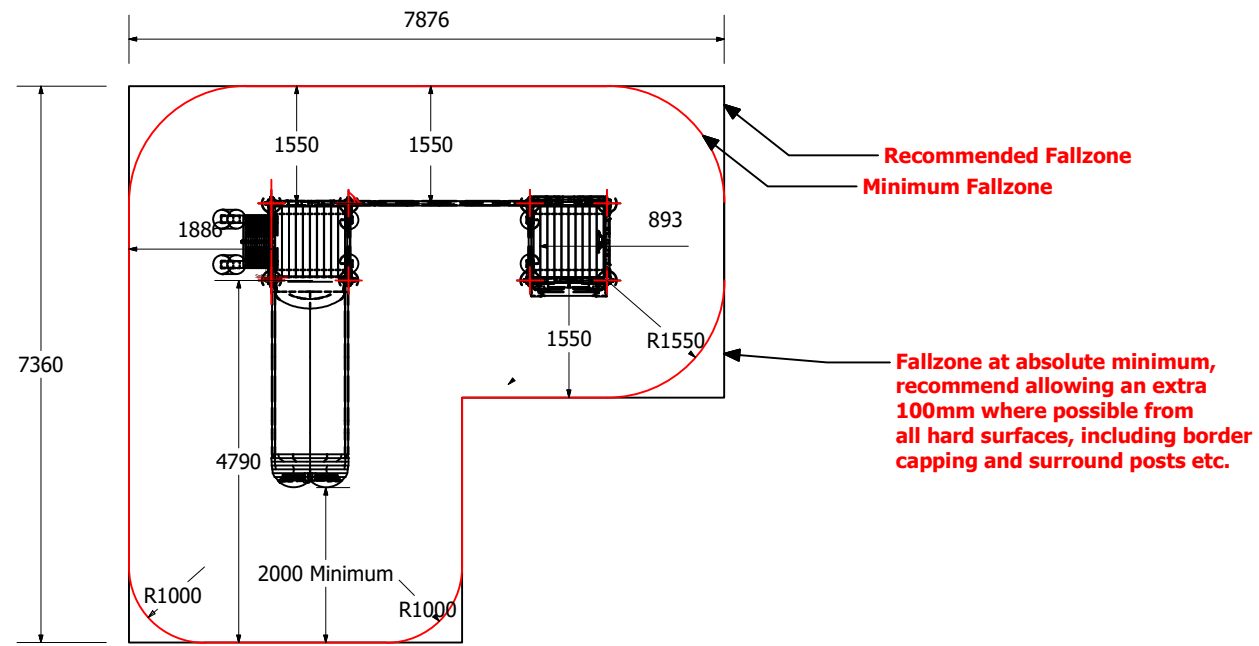


TR303 Trinidad

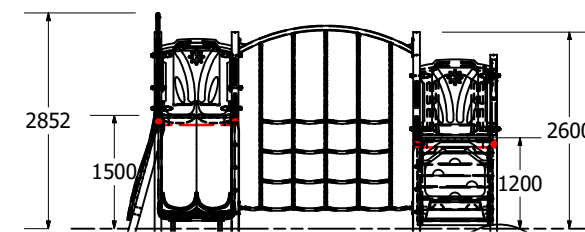
Plan view



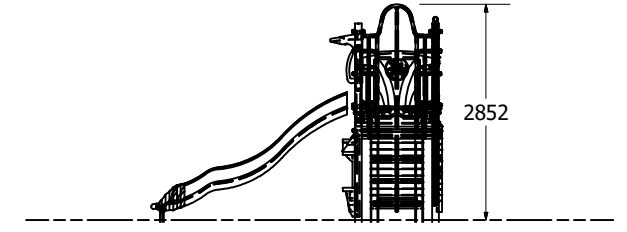
Fallzones



Front Elevation



Right Elevation



Technical Information	
Main Dimension	7876 x 7360
Total Area	47m ²
Max FHO	1860
Heaviest Part	40kg
Compliant to	NZS 5828:2015 AS 4685:2017 EN 1176:2008

REVISION HISTORY			
REV	DESCRIPTION	DATE	BY
0	Creation	19/04/2017	