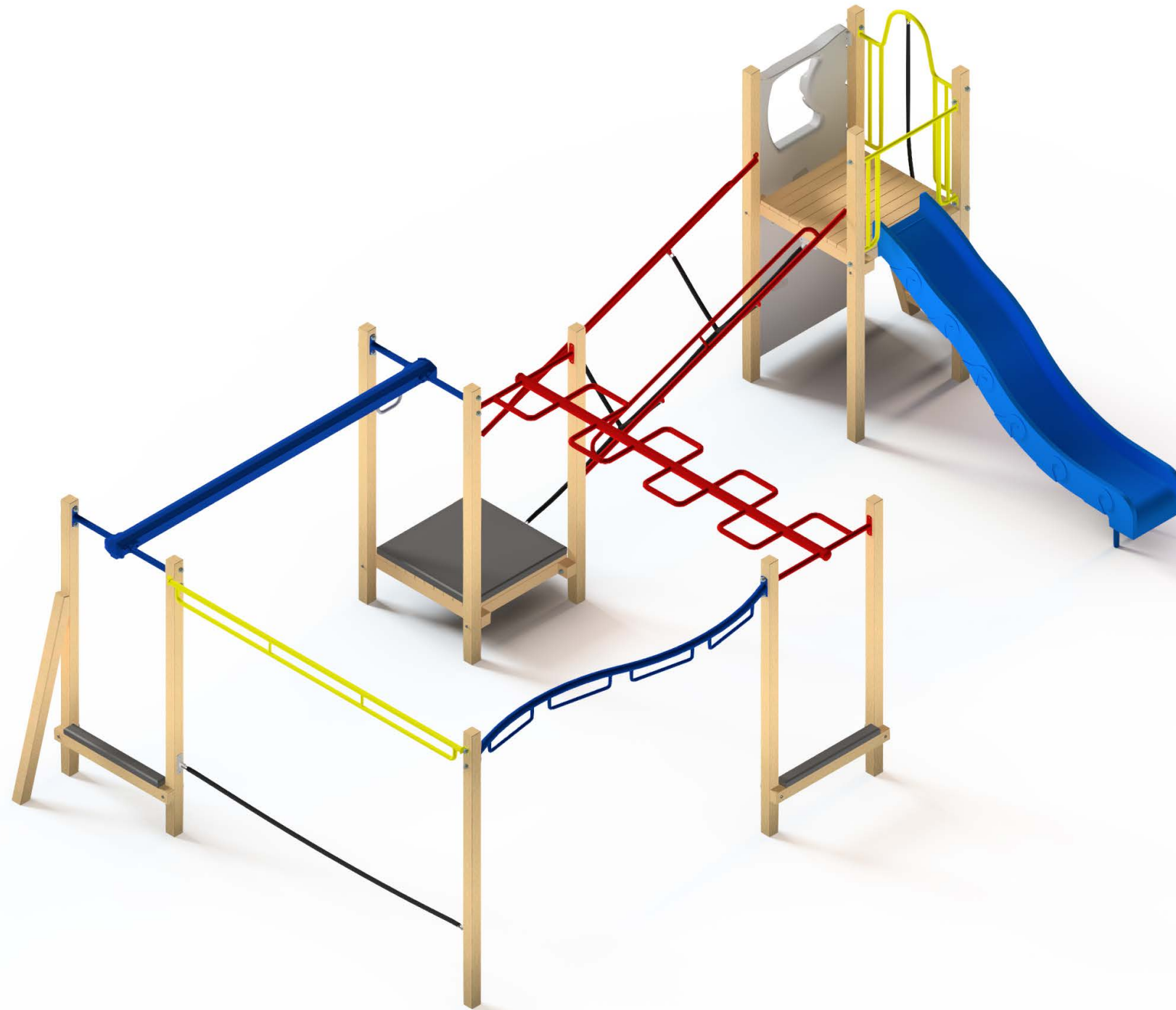


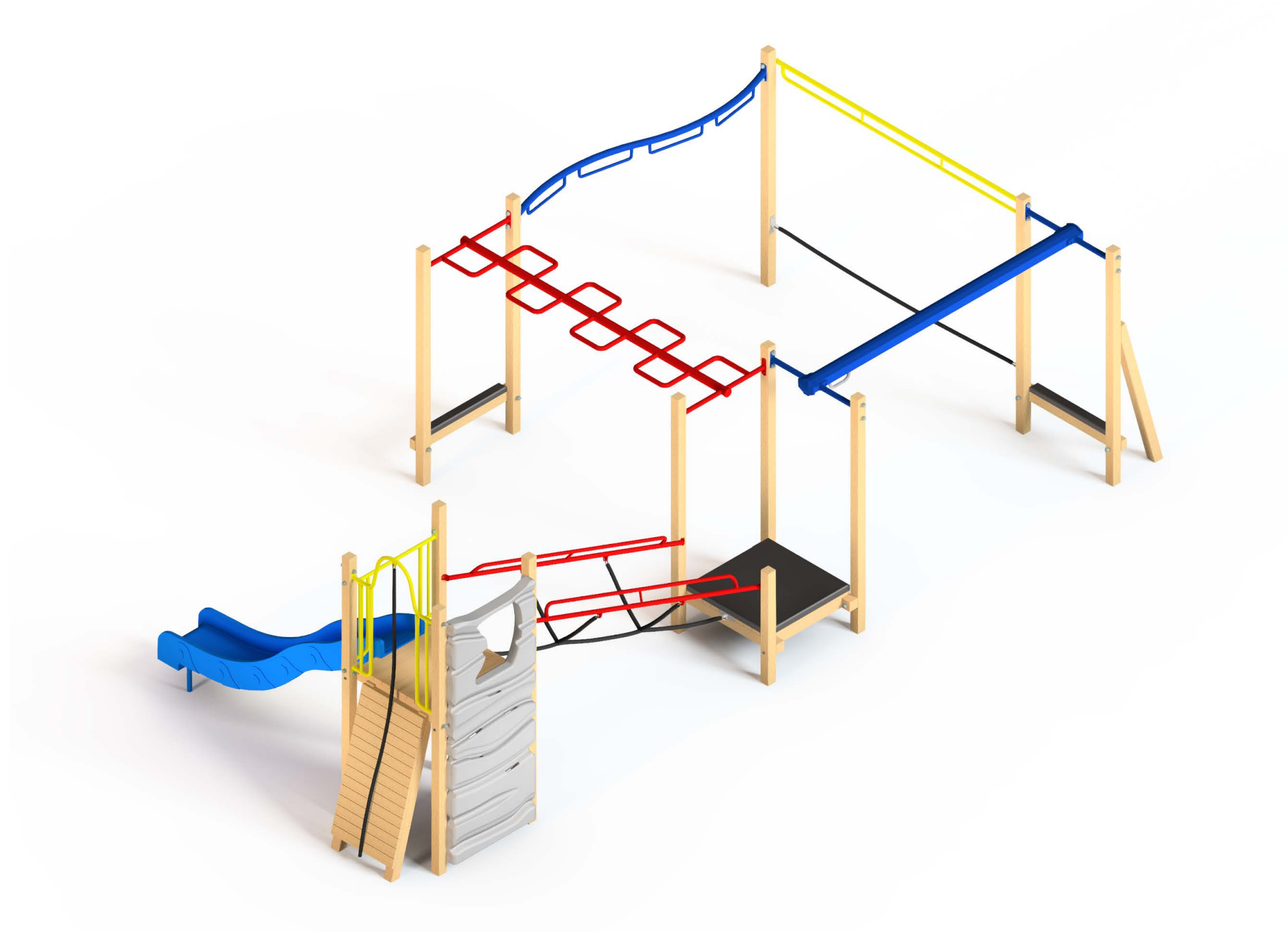
TR308 Arizona

Front view



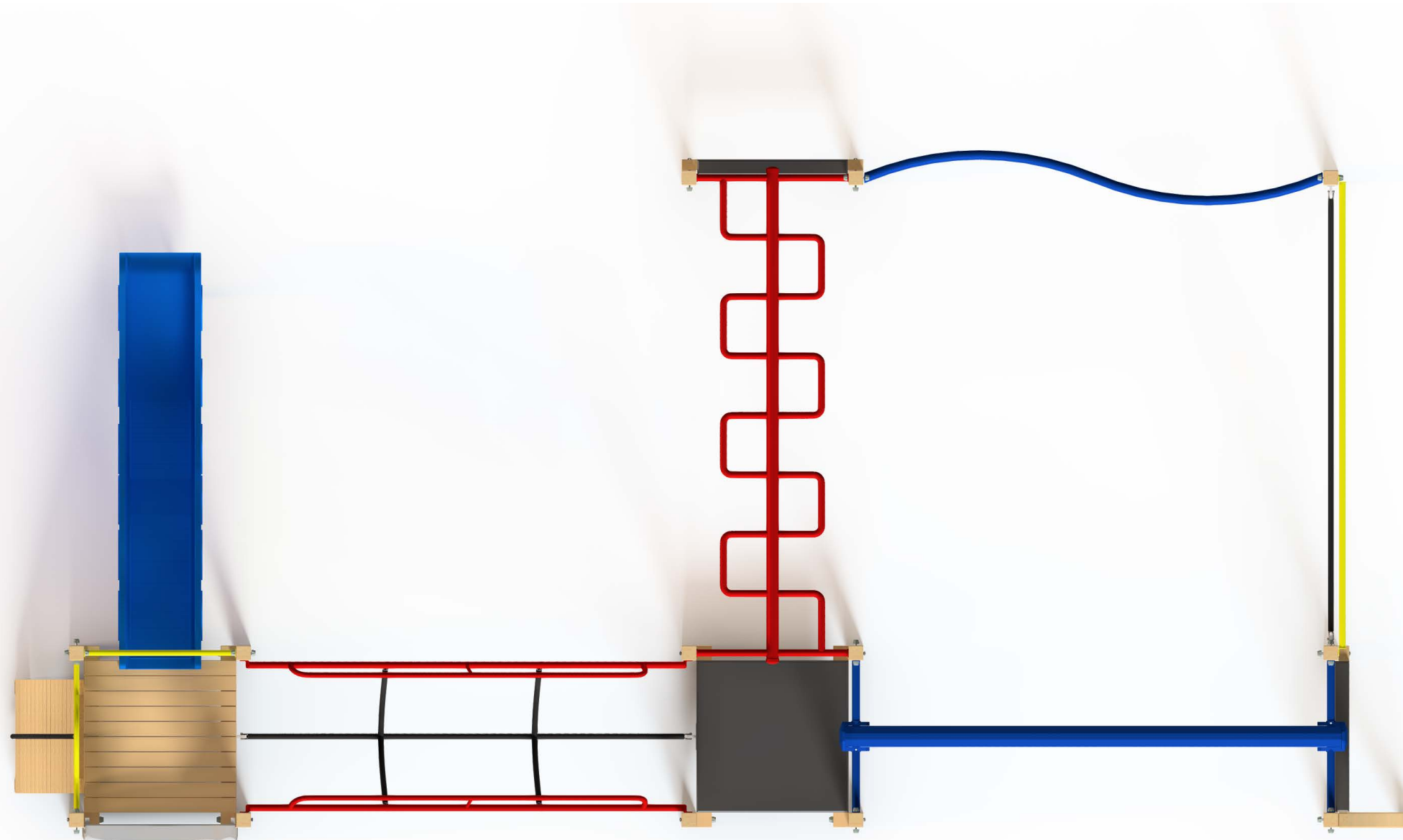
TR308 Arizona

Rear view



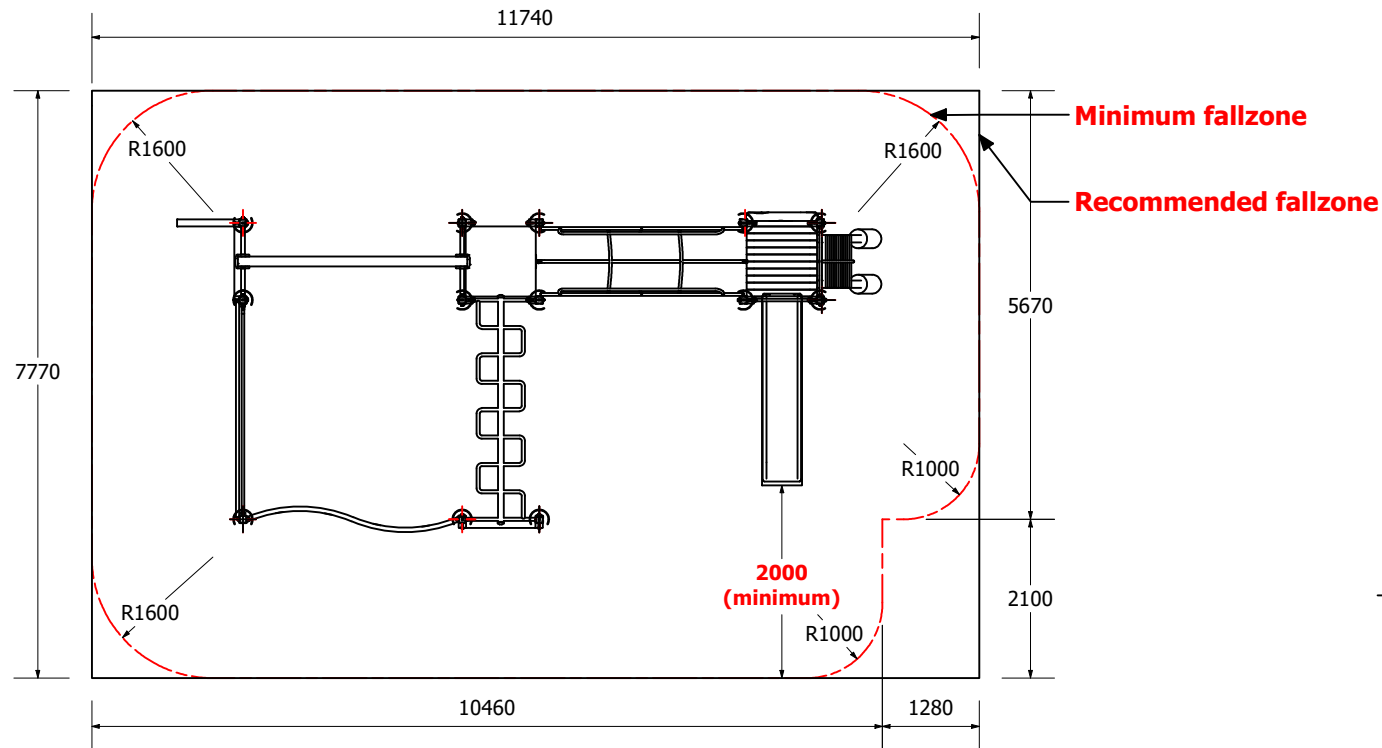
TR308 Arizona

Plan view

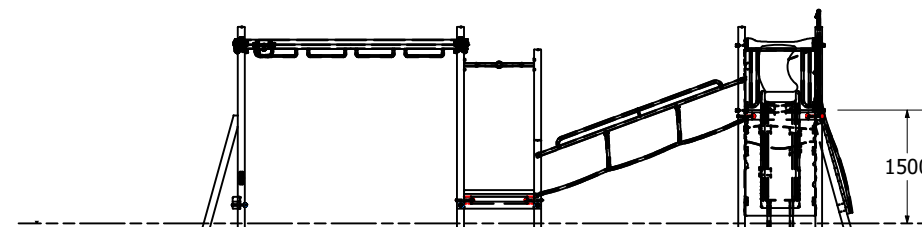


1:100 @ A3

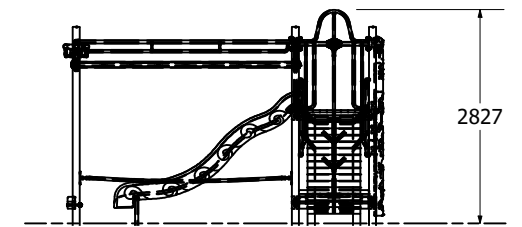
Fallzones



Front Elevation



Right Elevation



Technical Information	
Main Dimension	11740 x 7770
Total Area	88m2
Max FHO	2200
Heaviest Part	70kg
Compliant to	NZS 5828:2015 AS 4685:2017 EN 1176:2008

REVISION HISTORY			
REV	DESCRIPTION	DATE	BY
2	Creation	24/04/2020	Sam