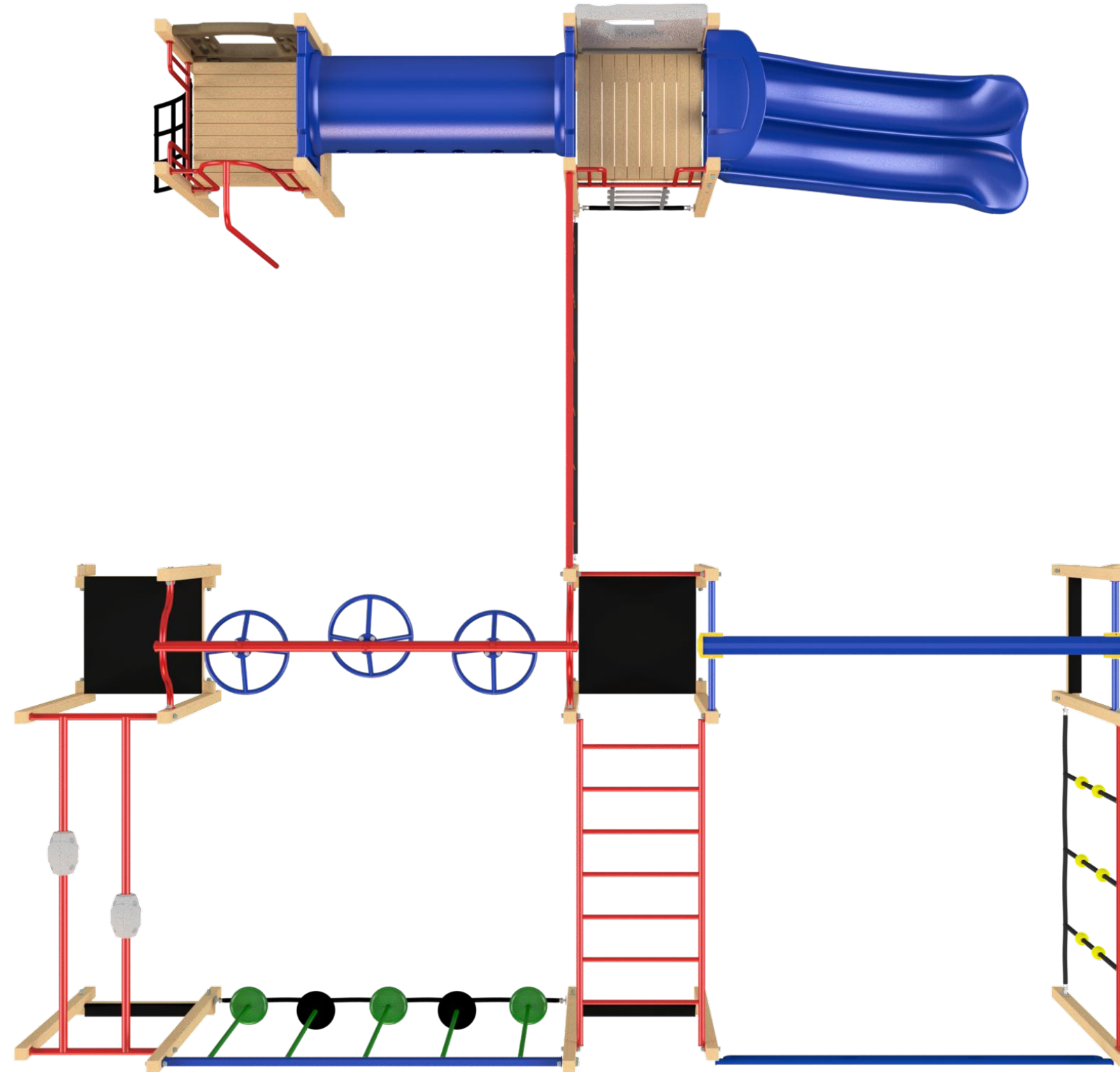
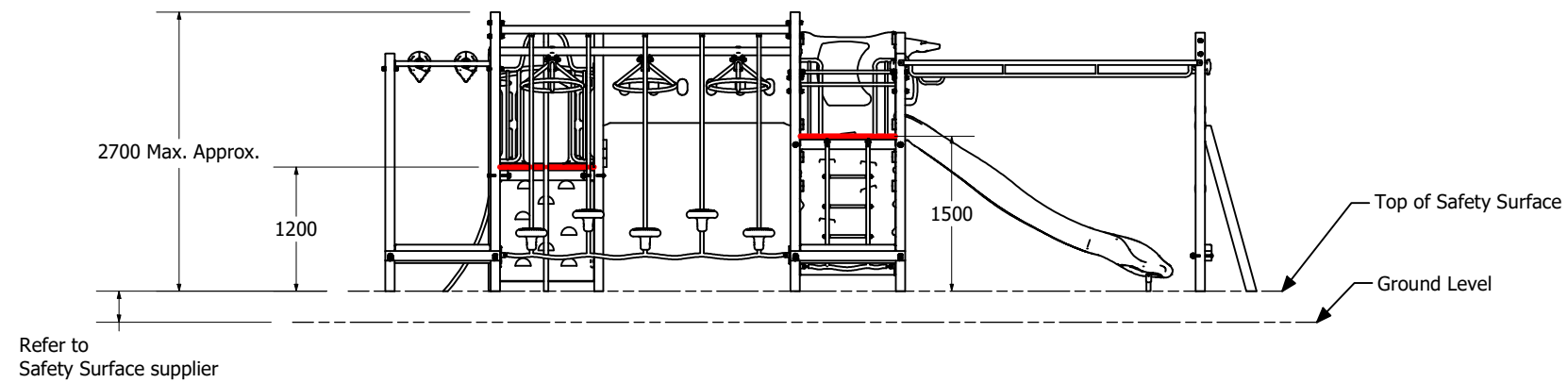
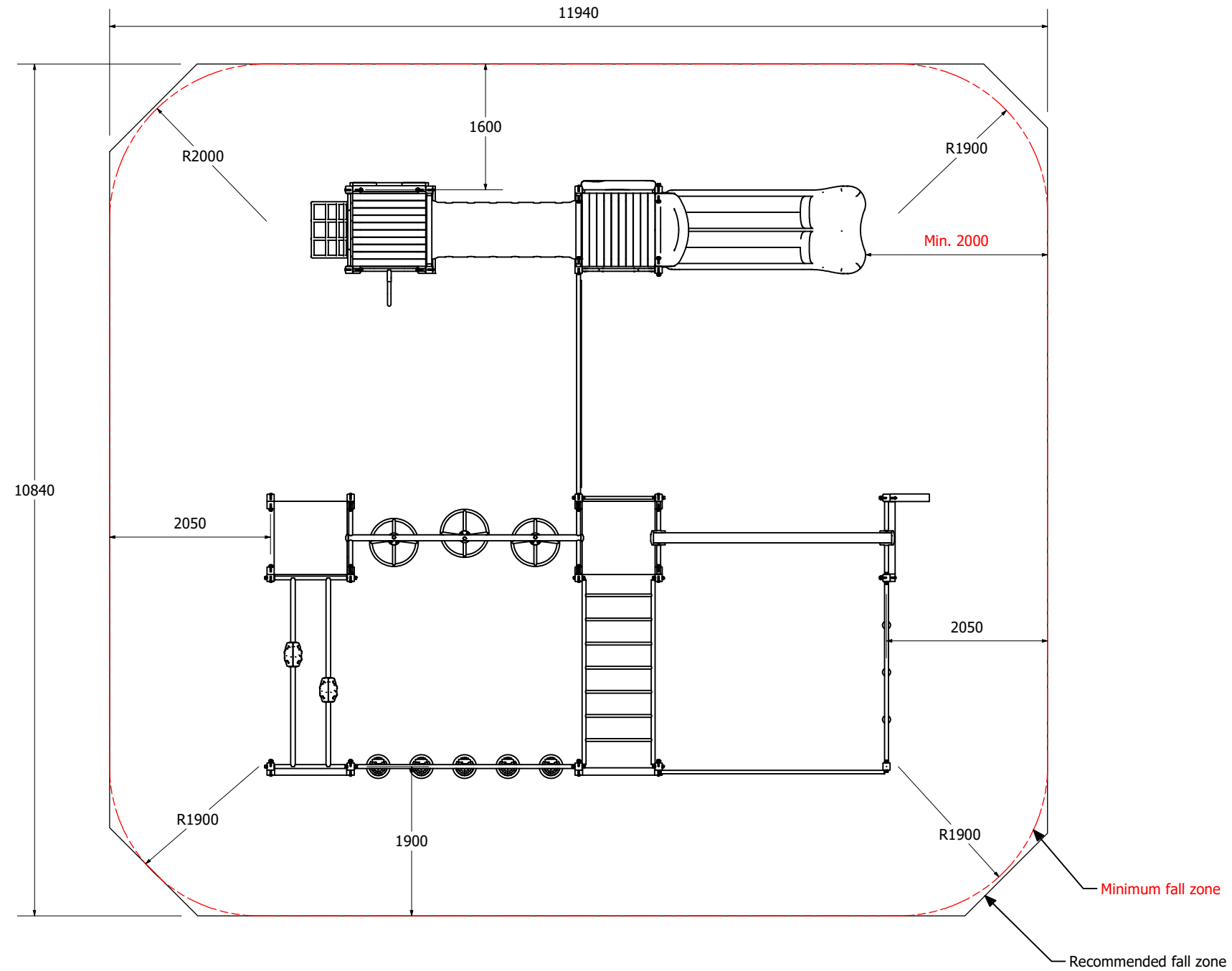




TR315 Preston TP





Technical Information	
Main Dimension	11940 x 10840mm
Total Area	129.4m ²
Max FHO	2030mm
Heaviest Part	70kg
Compliant to	NZS 5828:2015 AS 4685:2017 EN 1176:2008