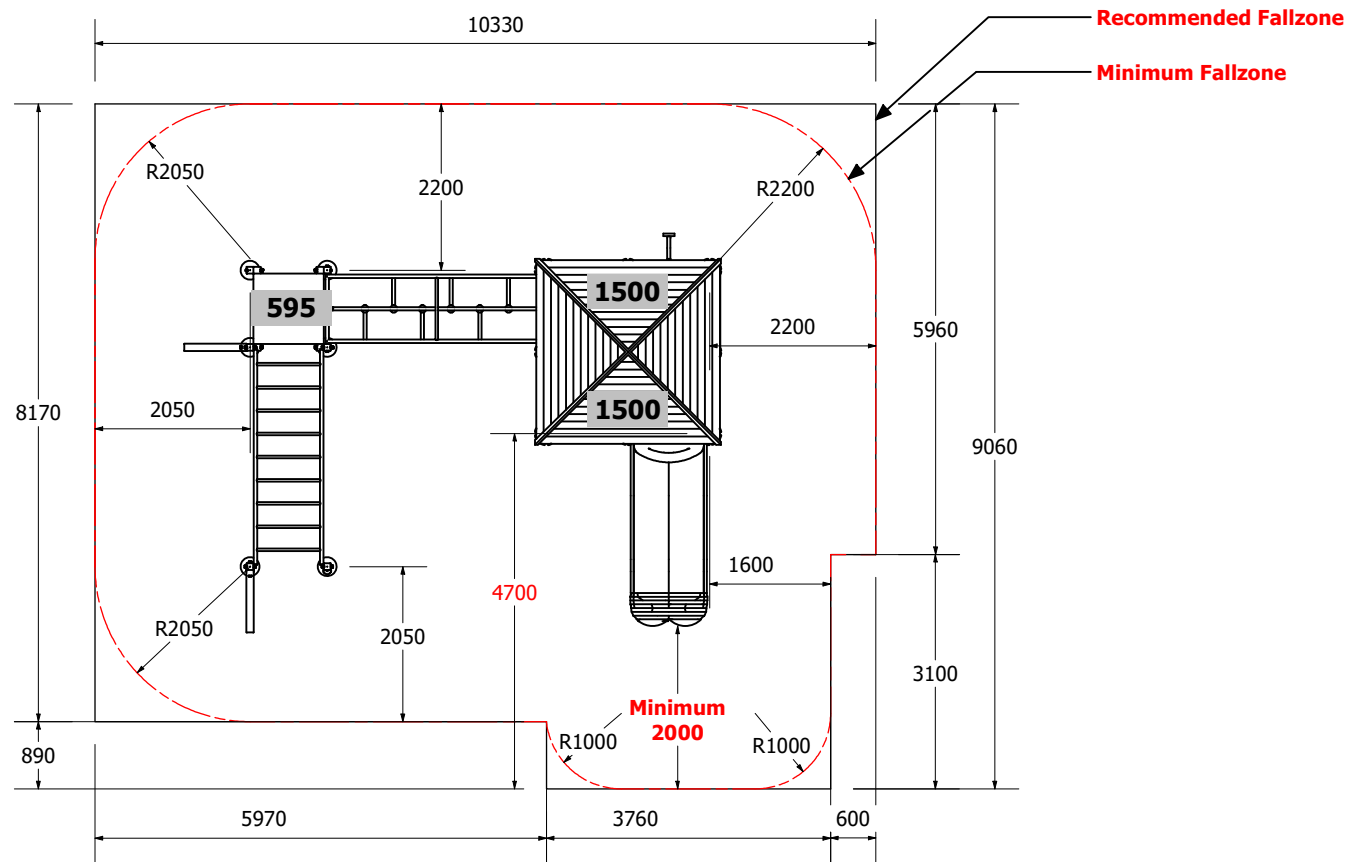
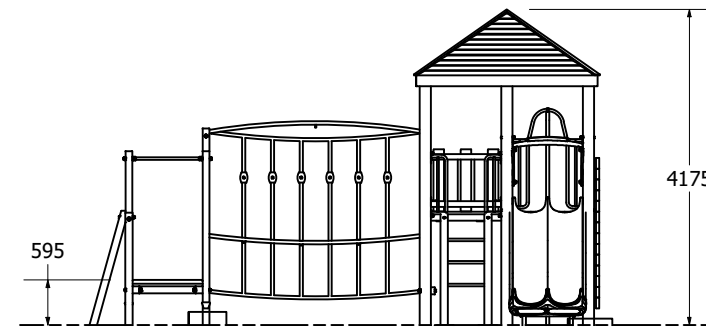


1:100 @ A3

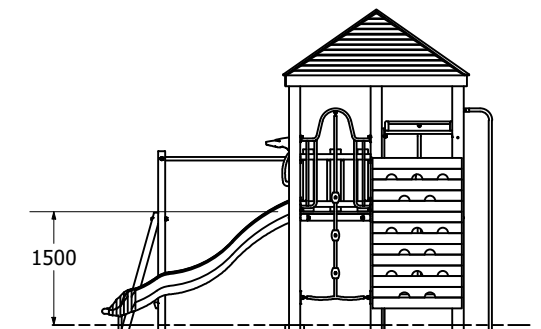
Fallzones



Front Elevation



Right Elevation



Technical Information	
Main Dimension	10330 x 9060
Total Area	87 m ²
Max FHOF	2200
Heaviest Part	--
Compliant to	NZS 5828:2015 AS 4685:2017 EN 1176:2008

REVISION HISTORY			
REV	DESCRIPTION	DATE	BY
3	Creation	9/07/2020	Sam