

# TS 127 - TP

Front view



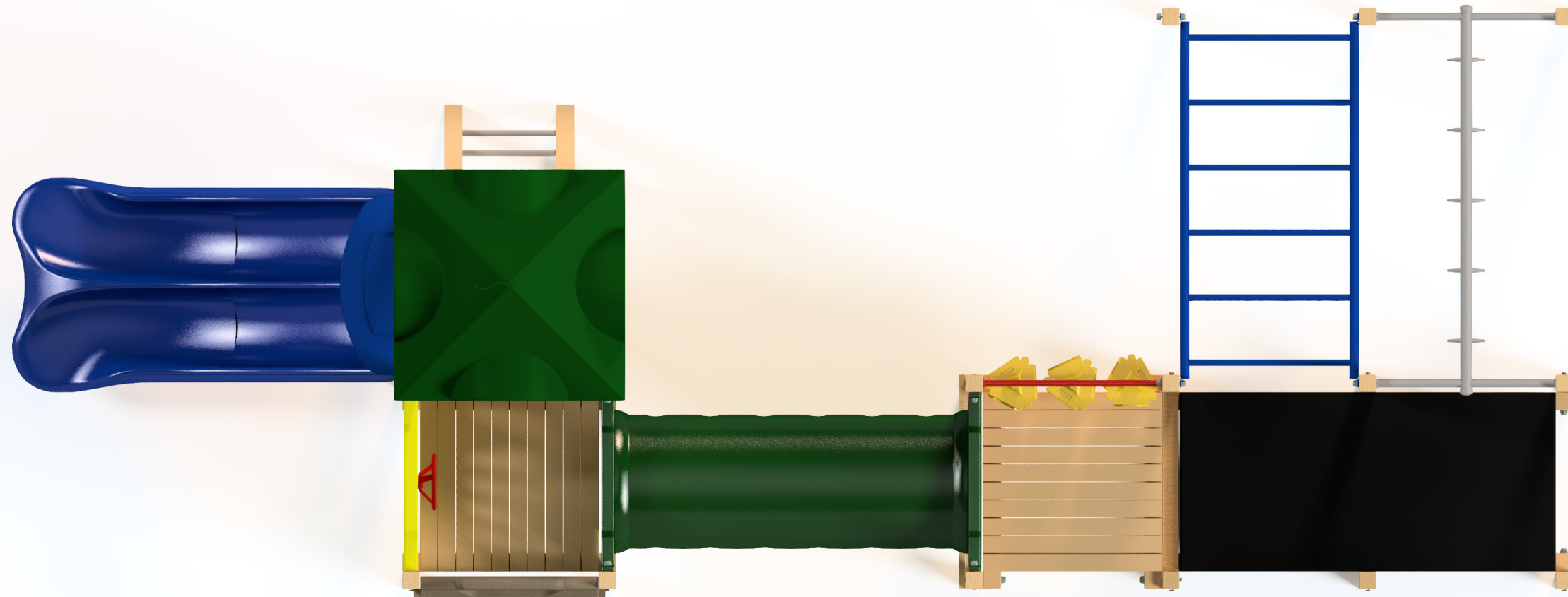
# TS 127 - TP

Rear view



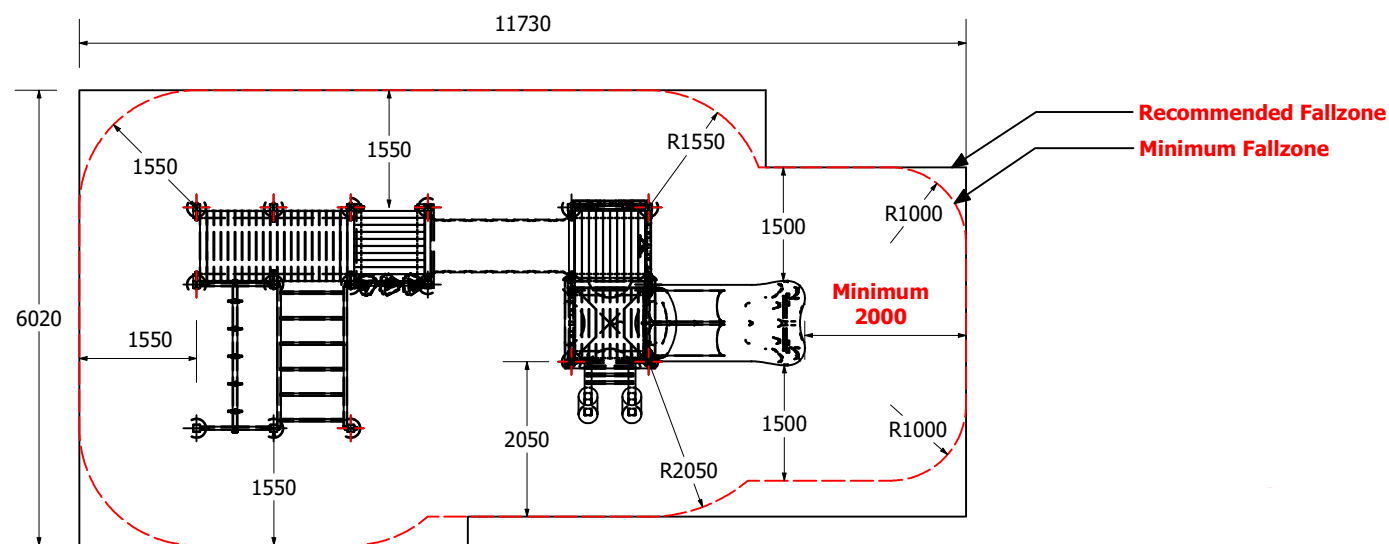
# TS 127 - TP

Plan view

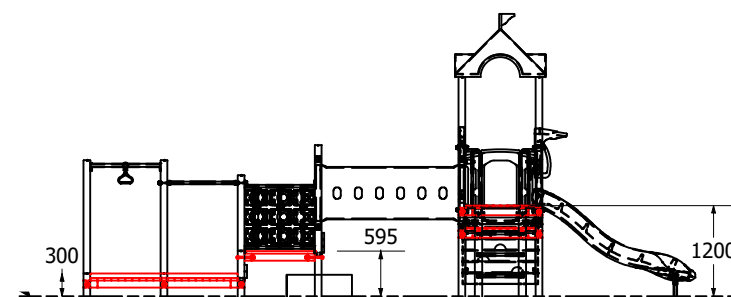


1:100 @ A3

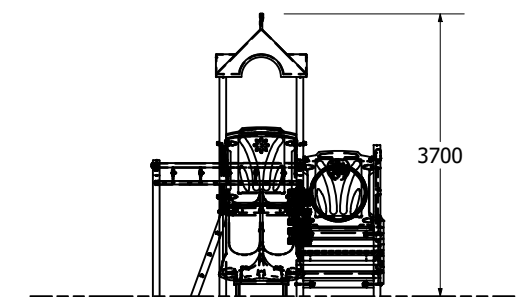
**Fallzones**



**Front Elevation**



**Right Elevation**



Technical Information	
Main Dimension	11730 x 6020
Total Area	65m2
Max FHO	1500
Heaviest Part	120kg
Compliant to	NZS 5828:2015 AS 4685:2017 EN 1176:2008

REVISION HISTORY			
REV	DESCRIPTION	DATE	BY
0	Creation	19/04/2017	Sam