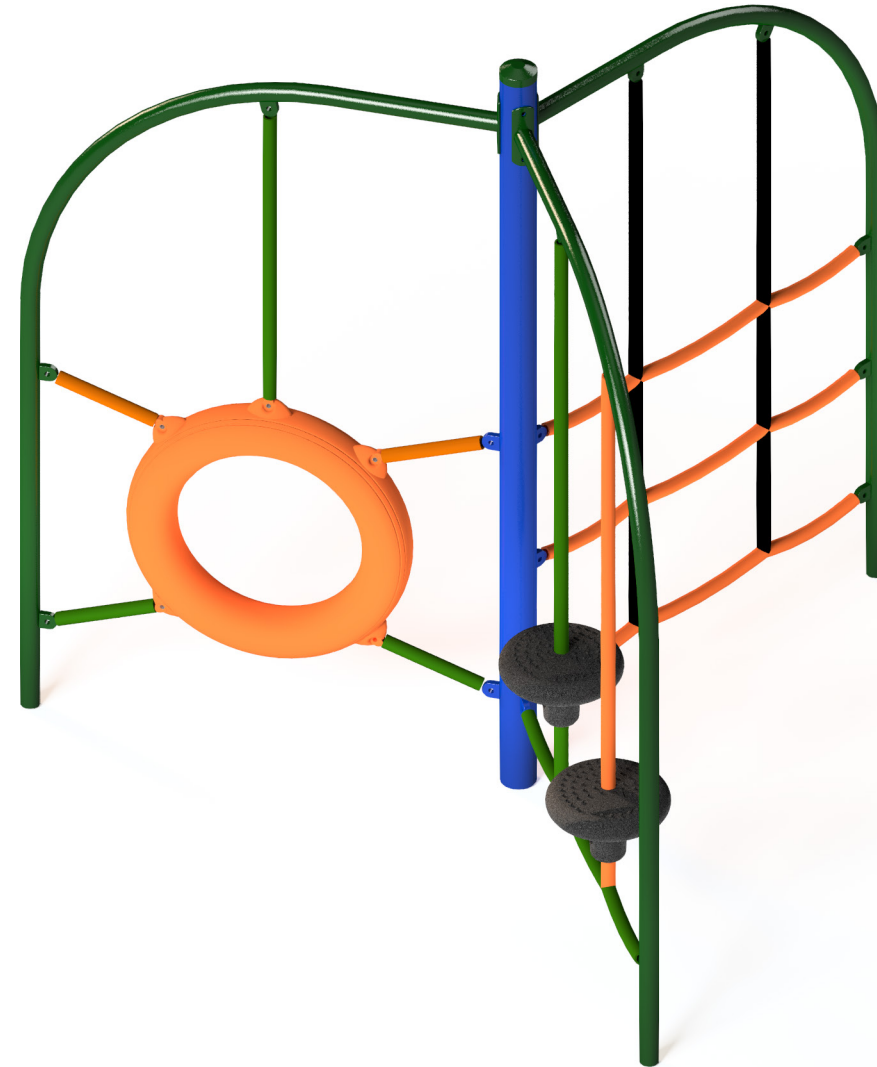


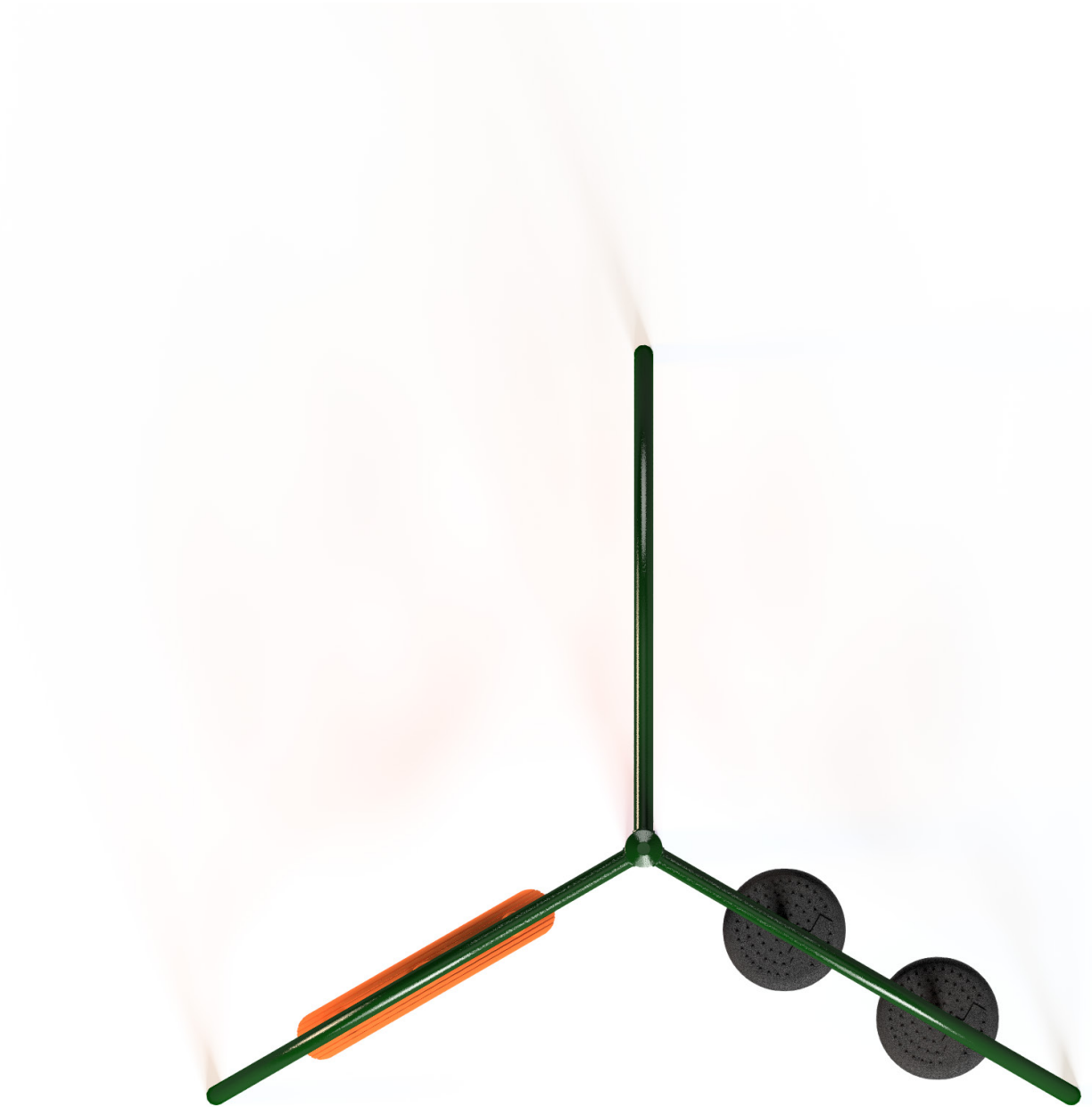
# Toddler 115



# Toddler 115

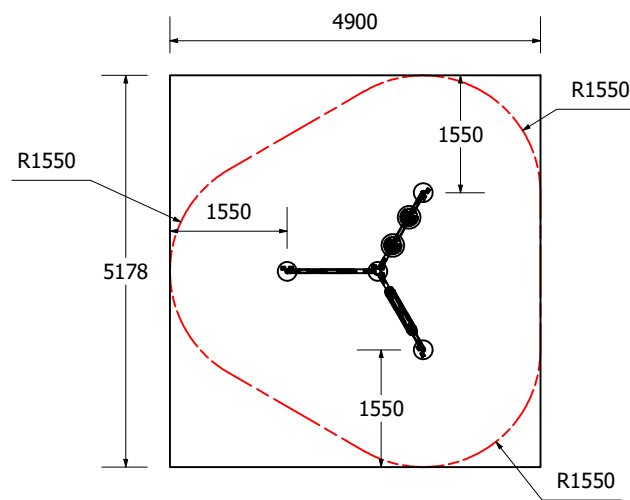


# Toddler 115

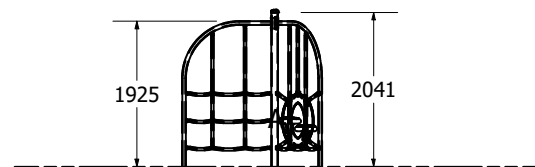


1:100 @ A3

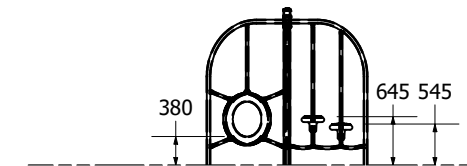
### Fallzones



### Front Elevation



### Right Elevation



Technical Information	
Main Dimension	4900 x 5178
Total Area	25.5m <sup>2</sup>
Max FHO	<1m
Heaviest Part	
Compliant to	NZS 5828:2015 AS 4685:2017 EN 1176:2008

REVISION HISTORY			
REV	DESCRIPTION	DATE	BY
0	Creation	7/12/2018	