

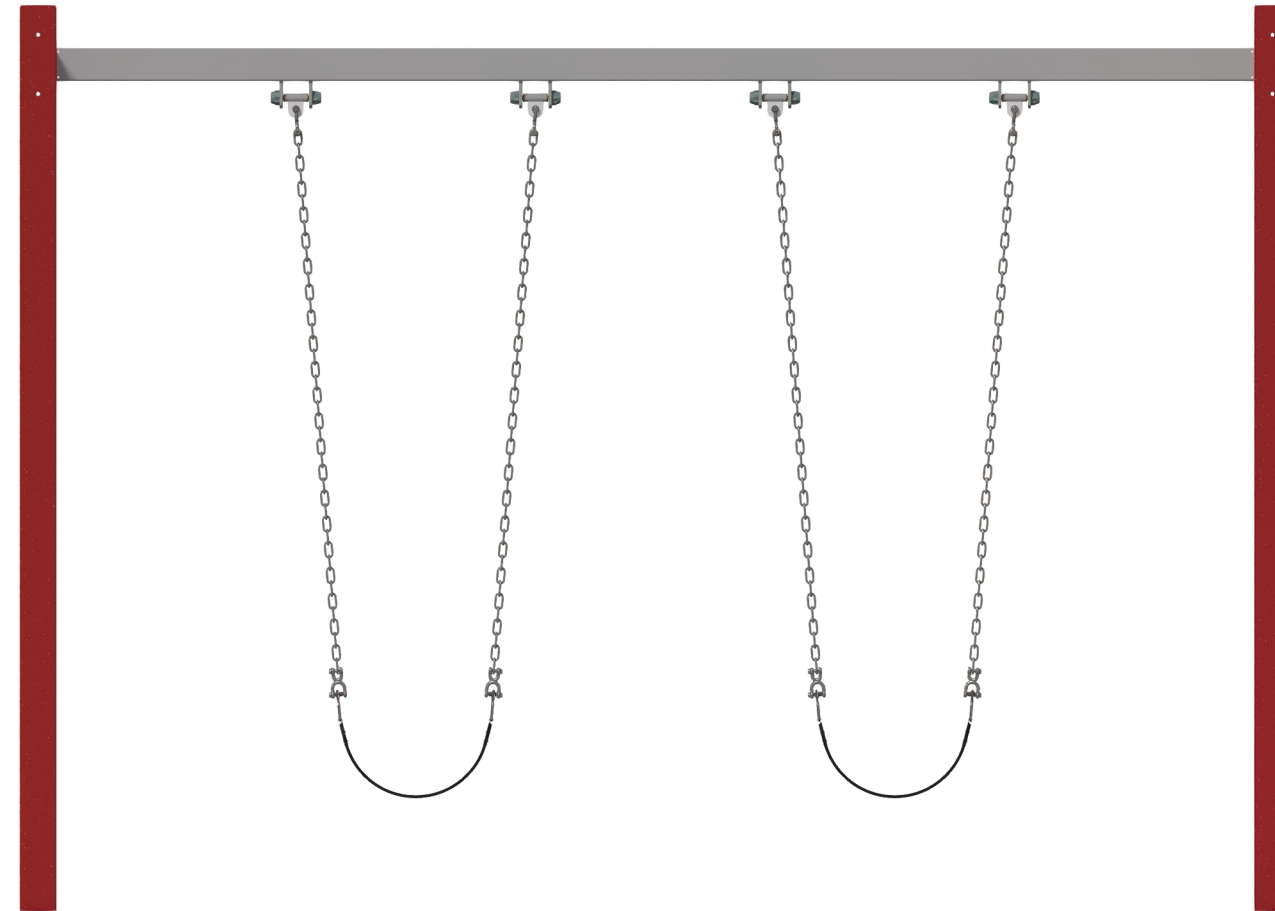
Urban 2 Bay Swing - 2 x VR

SWUR2B01



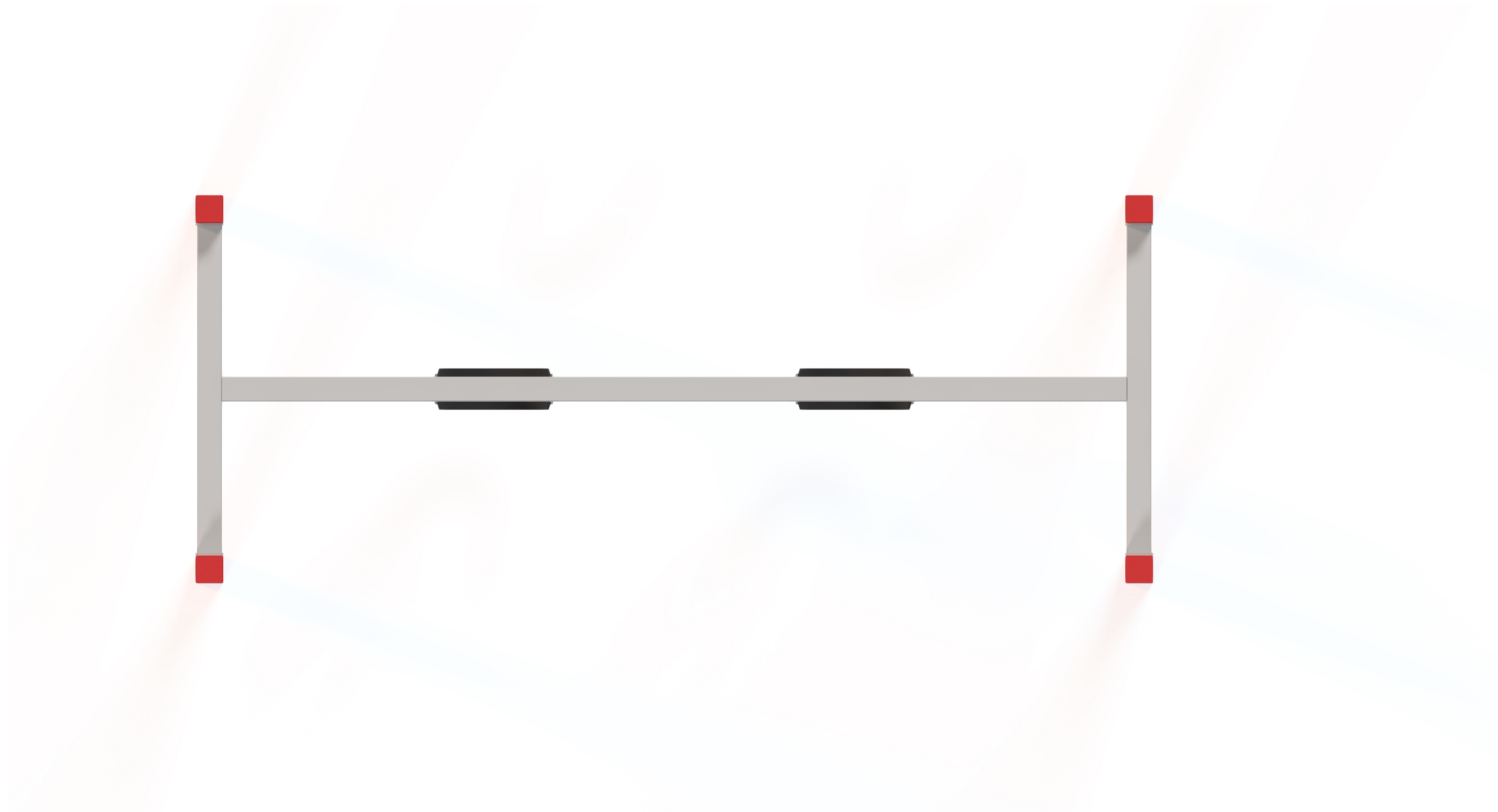
Urban 2 Bay Swing - 2 x VR

SWUR2B01



Urban 2 Bay Swing - 2 x VR

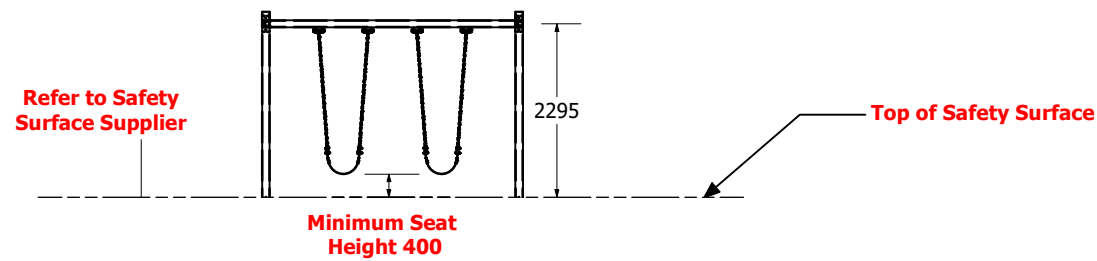
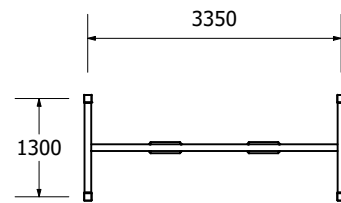
SWUR2B01



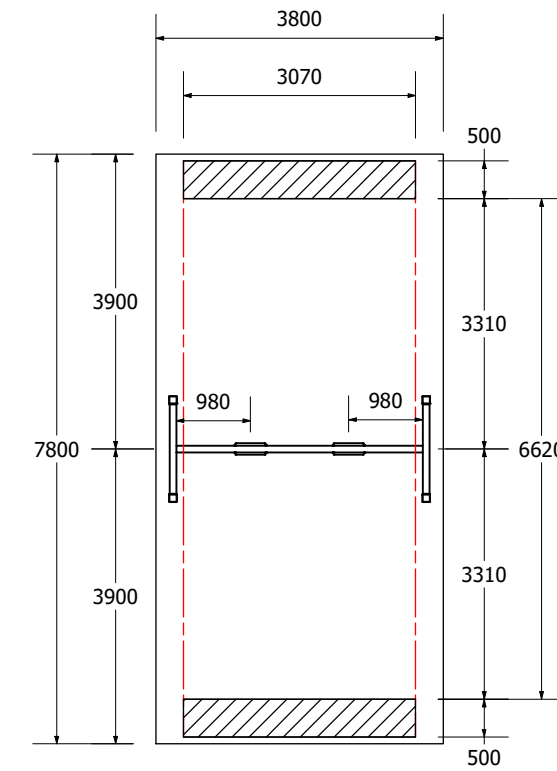
Urban 2 Bay Swing - 2 x VR

SWUR2B01
Fallzone for Synthetic Surface Application

DIMENSIONS AT GROUND LEVEL



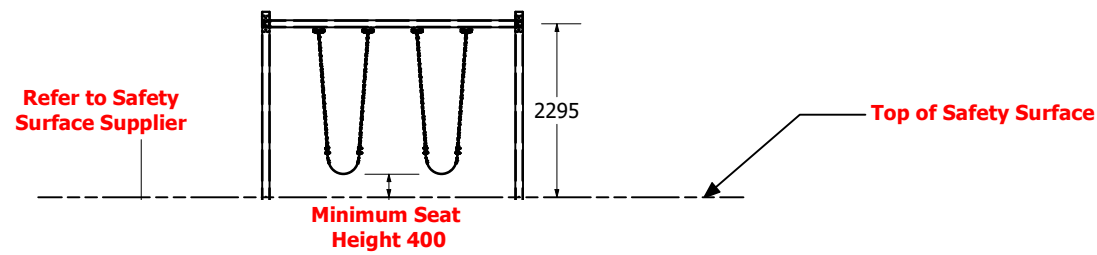
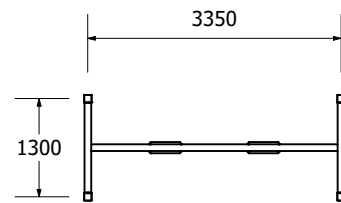
DIMENSIONS AT GROUND LEVEL



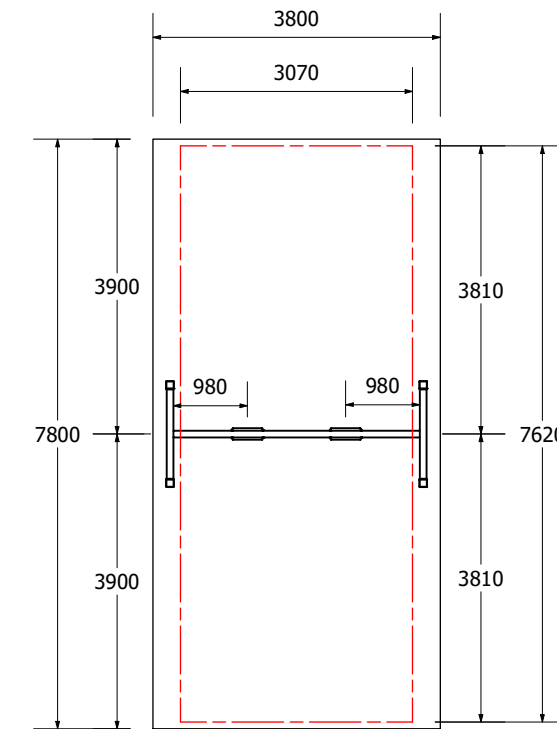
Technical Information	
Legend - Urban 2 Bay Swing	
	Suggested Fall Zone
	Minimum Fall Zone As Per AS4685:2014/ NZS5828:2015
	Flush With Safety Surface/ No Obstacles
Free Height Of Fall : 1300mm	
NOTE MINIMUM FALL ZONES CALCULATED OFF MINIMUM SEAT HEIGHT	
Heaviest Part	75kg


1:100 @ A3

DIMENSIONS AT GROUND LEVEL



FALLZONE



Technical Information	
Legend - Urban 2 Bay Swing	
	Suggested Fall Zone
	Minimum Fall Zone As Per AS4685:2014/ NZS5828:2015
	Flush With Safety Surface/ No Obstacles
Free Height Of Fall : 1300mm	
NOTE MINIMUM FALL ZONES CALCULATED OFF MINIMUM SEAT HEIGHT	
Heaviest Part	75kg