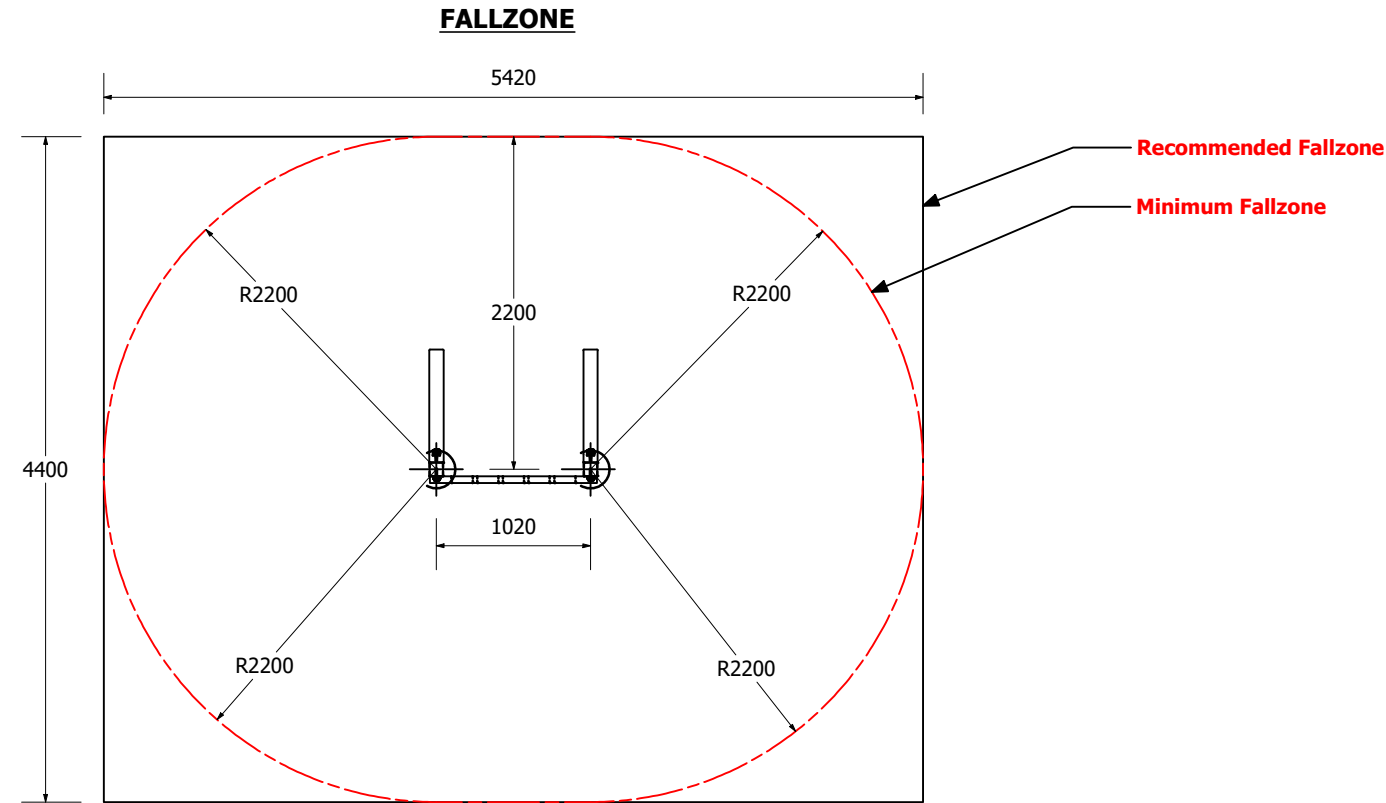
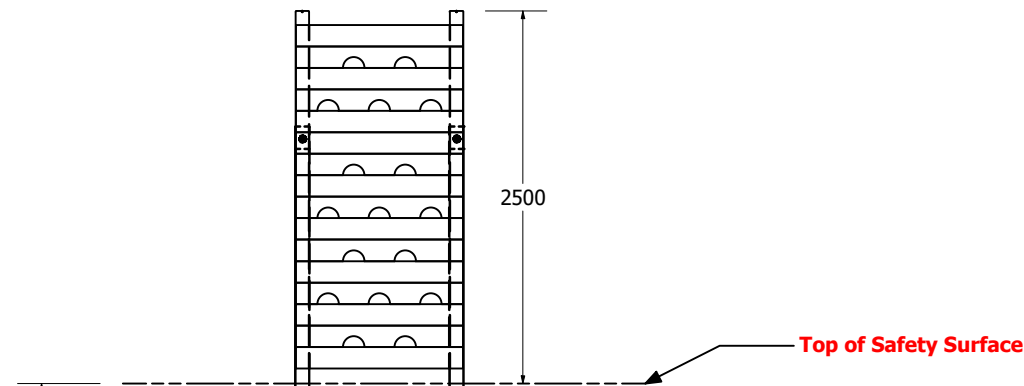


# Hand and Foot Fitness Station (1800 Model Shown)

1:50 @ A3



### SIDE ELEVATION



Technical Information	
Main Dimension	5420 x 4400
Total Area	24m <sup>2</sup>
Max FHOF	2500
Heaviest Part	20kg
Compliant to	NZS 5828:2015 AS 4685:2017 EN 1176:2008

REVISION HISTORY			
REV	DESCRIPTION	DATE	BY
0	Creation	17/11/2017	