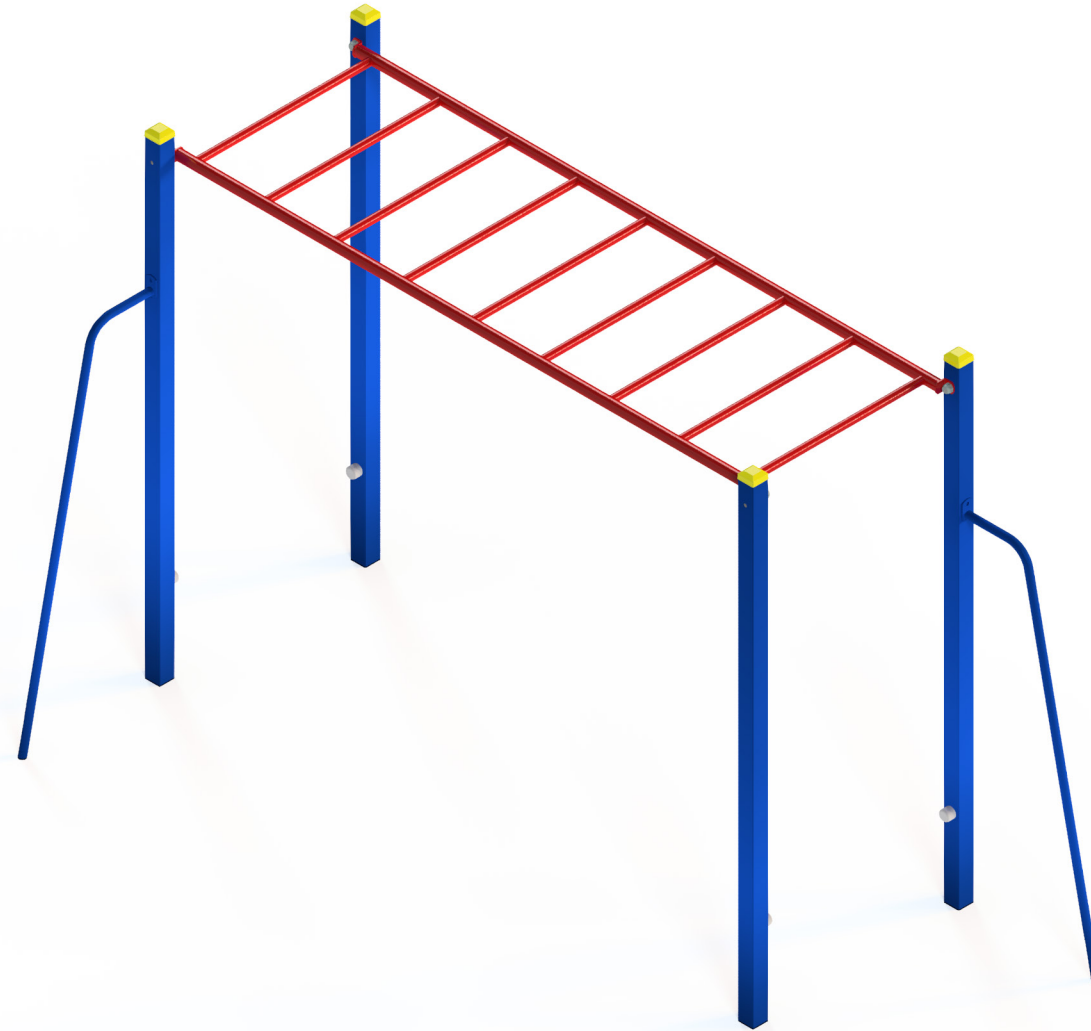


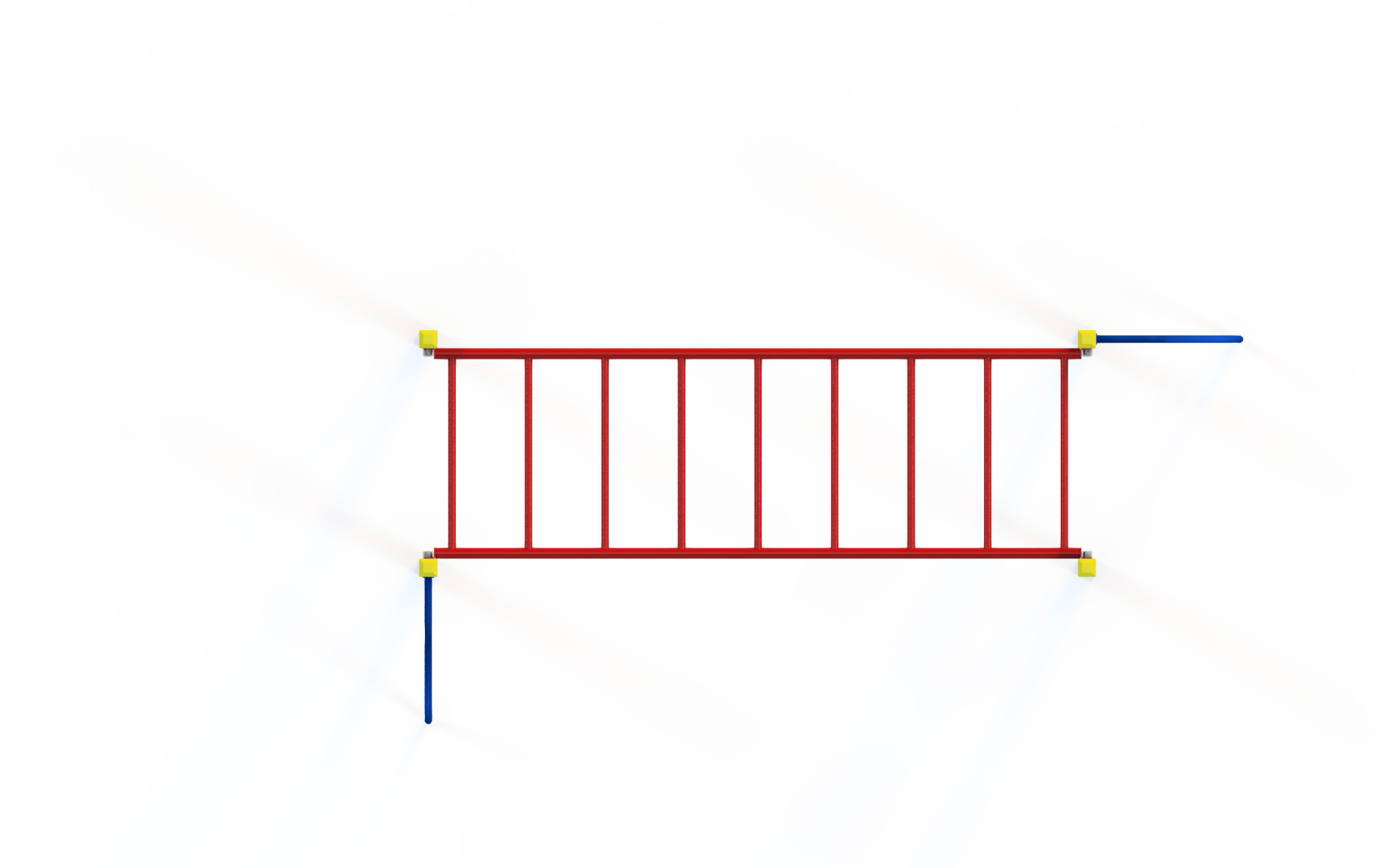
# Monkey Bar (Metaplay)



# Monkey Bar (Metaplay)

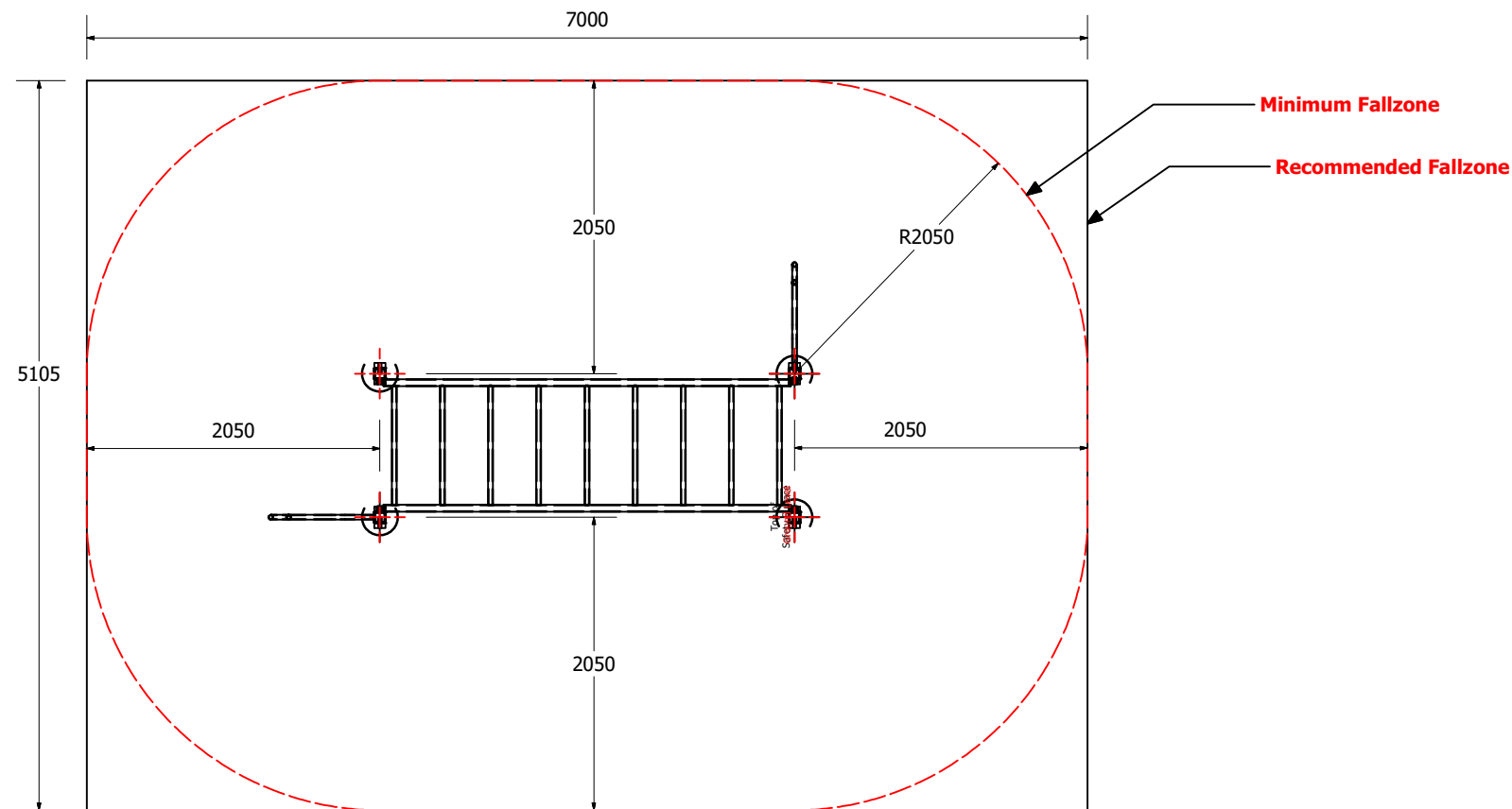


# Monkey Bar (Metaplay)

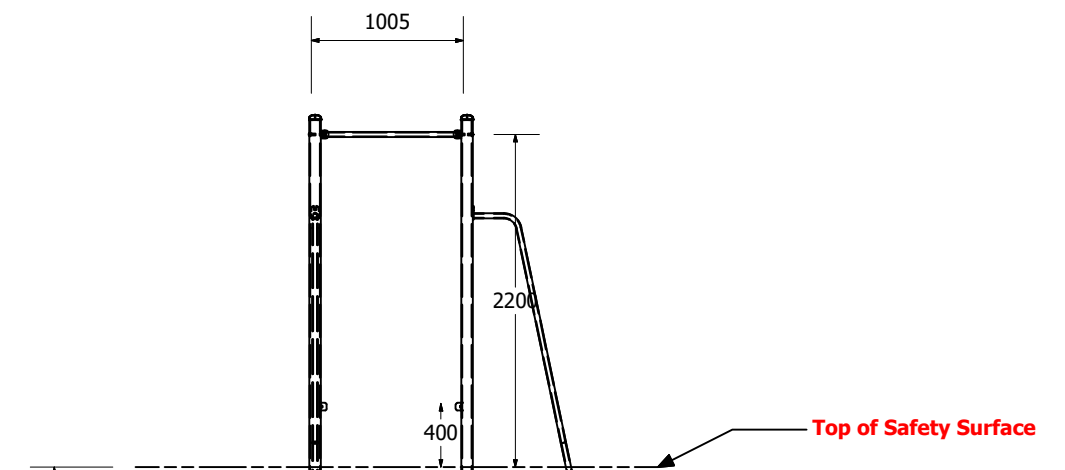


# Monkey Bar (Metaplay)

**Fallzones**



**Front Elevation**



Technical Information	
Main Dimension	7000 x 5105
Total Area	36 m2
Max FHO	2200
Heaviest Part	
Compliant to	NZS 5828:2015 AS 4685:2014 EN 1176:2008

REVISION HISTORY			
REV	DESCRIPTION	DATE	BY
0	Creation	17/11/2017	

1:50 @ A3