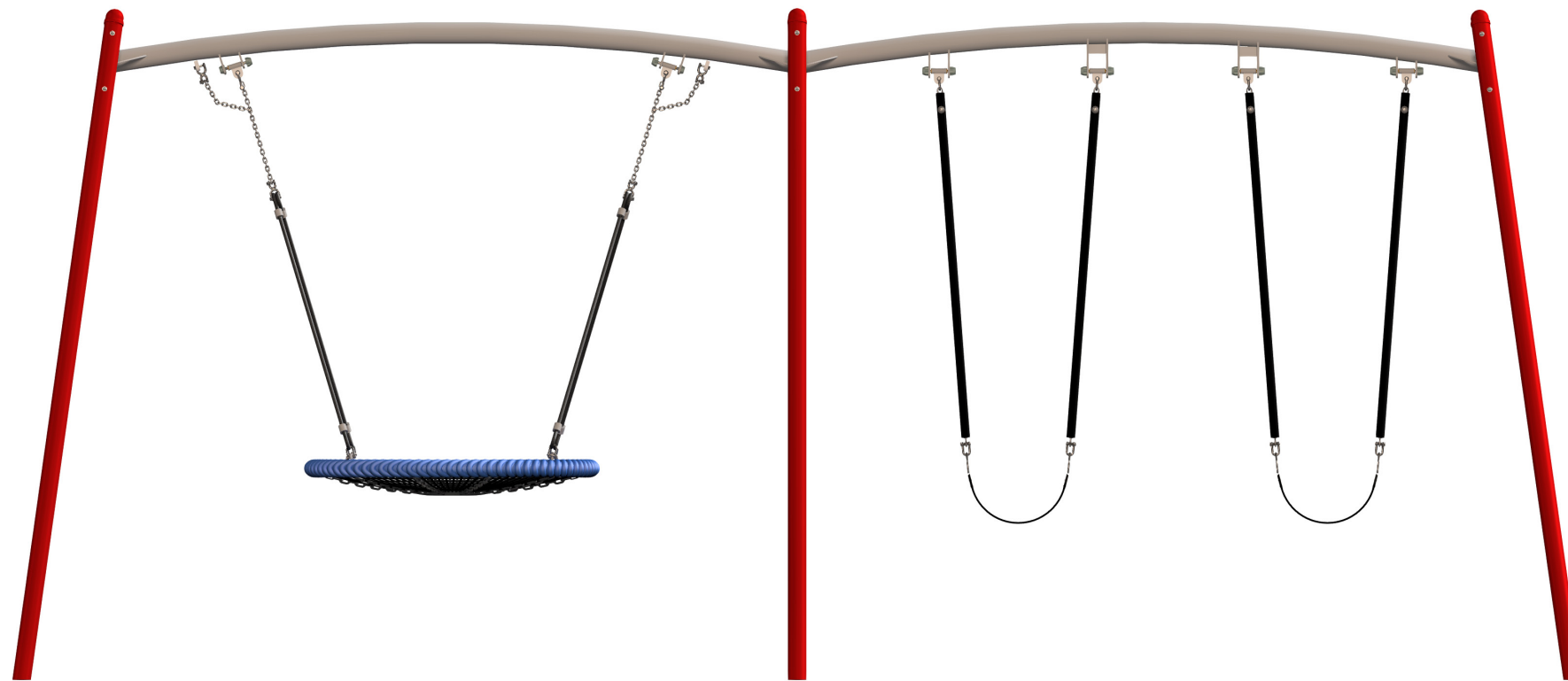


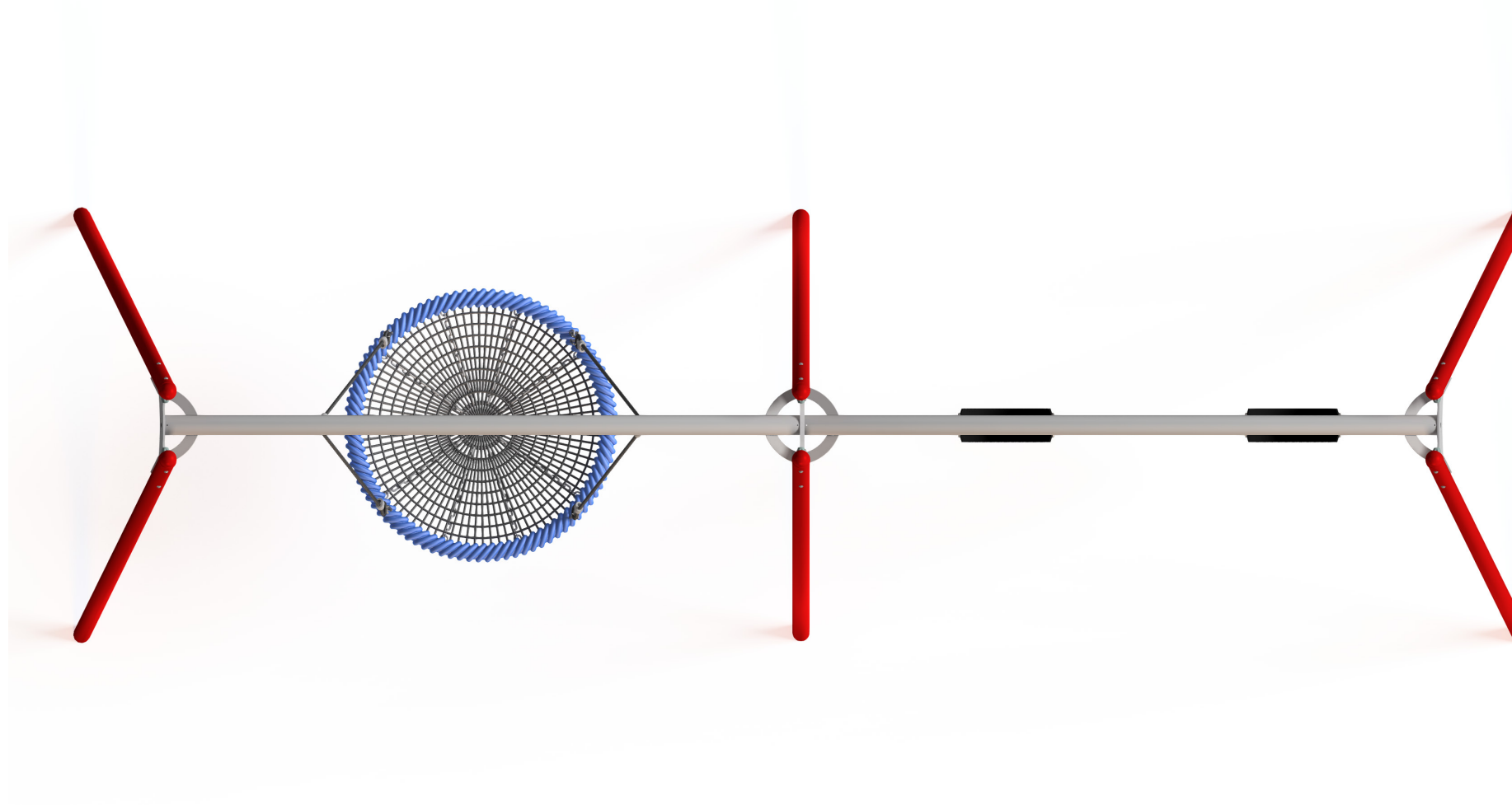
Flying Saucer - Double Frame 1x Basket, 2x VR



Flying Saucer - Double Frame 1x Basket, 2x VR



Flying Saucer - Double Frame 1x Basket, 2x VR

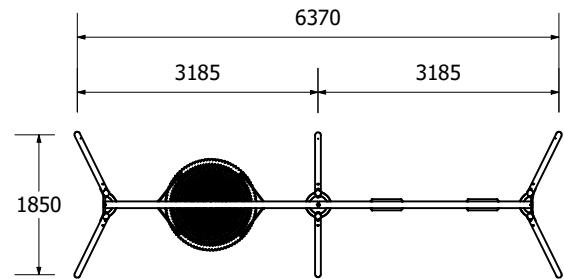


Flying Saucer - Double Frame 1x Basket, 2x VR

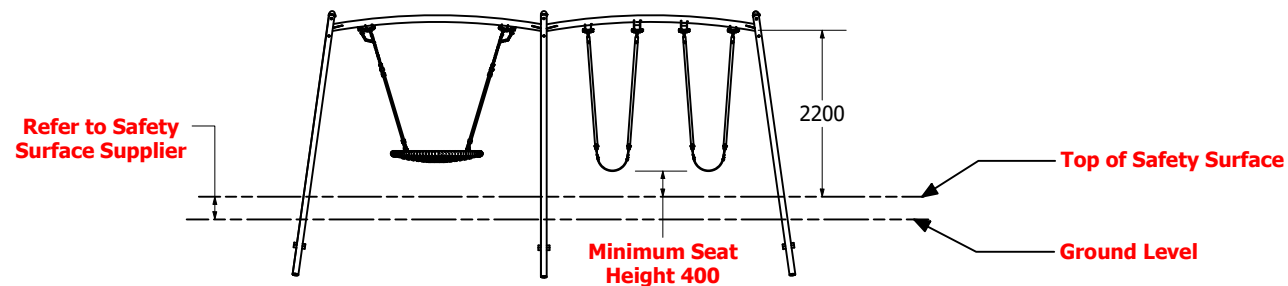
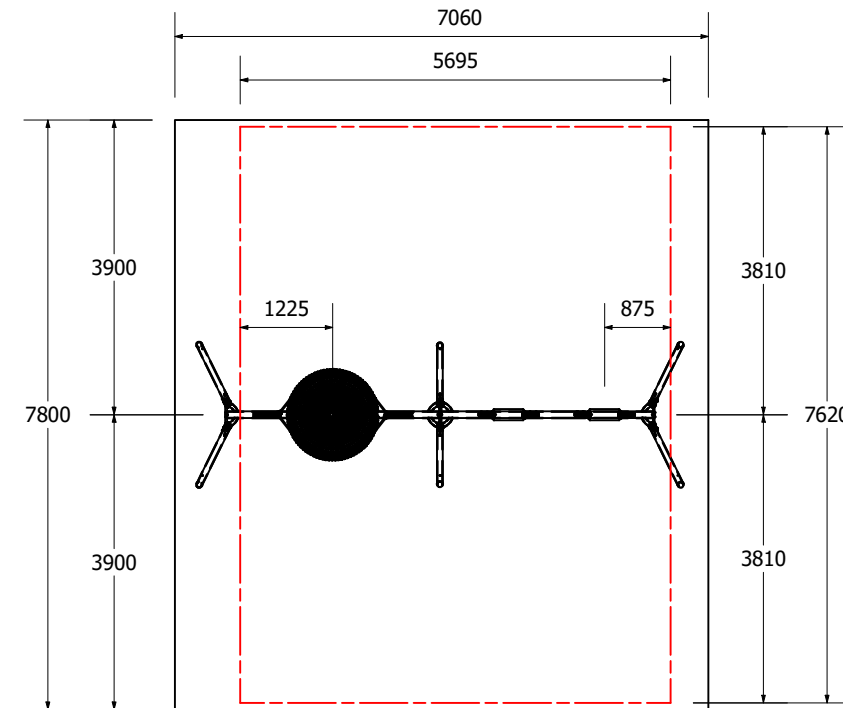
Fallzones for Loose Fill Application

1:100 @ A3

DIMENSIONS AT GROUND LEVEL



FALLZONE



Technical Information	
Legend - 2 Bay Deluxe Swing 2200	
	Suggested Fall Zone
	Minimum Fall Zone As Per AS4685:2014/ NZS5828:2015
	Flush With Safety Surface/ No Obstacles
Free Height Of Fall : 1300mm	
NOTE MINIMUM FALL ZONES CALCULATED OFF MINIMUM SEAT HEIGHT	
Heaviest Part	50kg

1:100 A3

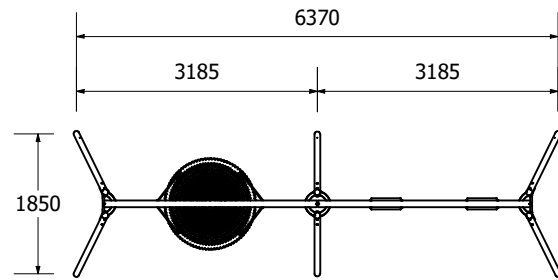
REVISION HISTORY			
REV	DESCRIPTION	DATE	BY
0	Creation	23/08/2018	

Flying Saucer - Double Frame 1x Basket, 2x VR

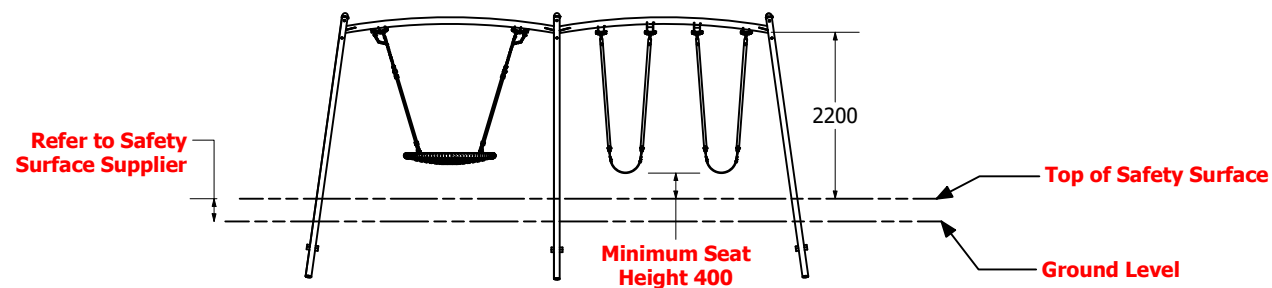
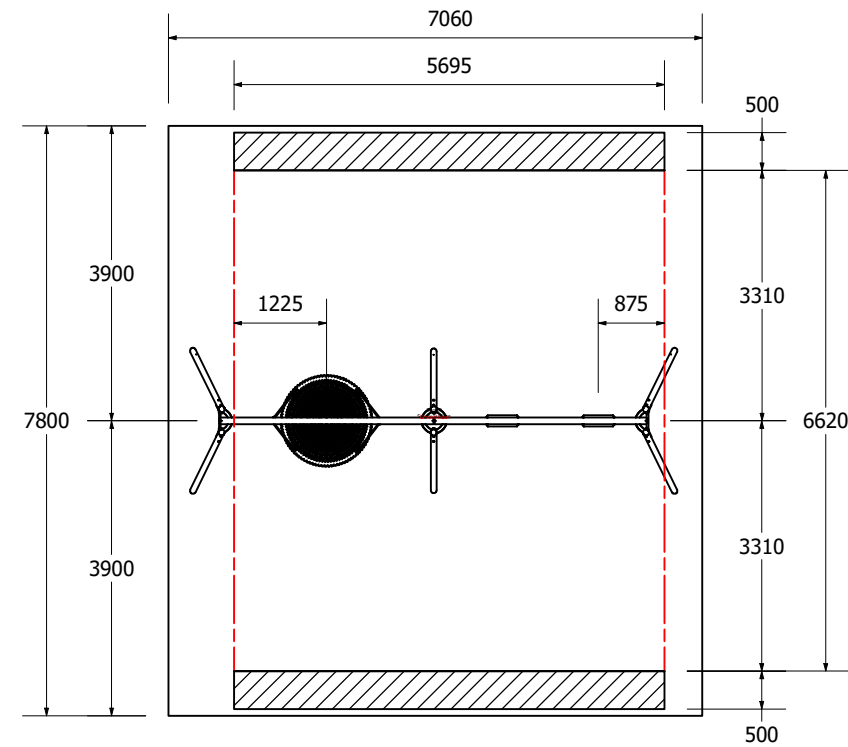
Fallzones for Synthetic Surface Application



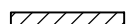
1:100 @ A3

DIMENSIONS AT GROUND LEVEL



FALLZONE



Technical Information	
Legend - 2 Bay Deluxe Swing 2200	
	Suggested Fall Zone
	Minimum Fall Zone As Per AS4685:2014/ NZS5828:2015
	Flush With Safety Surface/ No Obstacles
Free Height Of Fall : 1300mm	
NOTE MINIMUM FALL ZONES CALCULATED OFF MINIMUM SEAT HEIGHT	
Heaviest Part	50kg