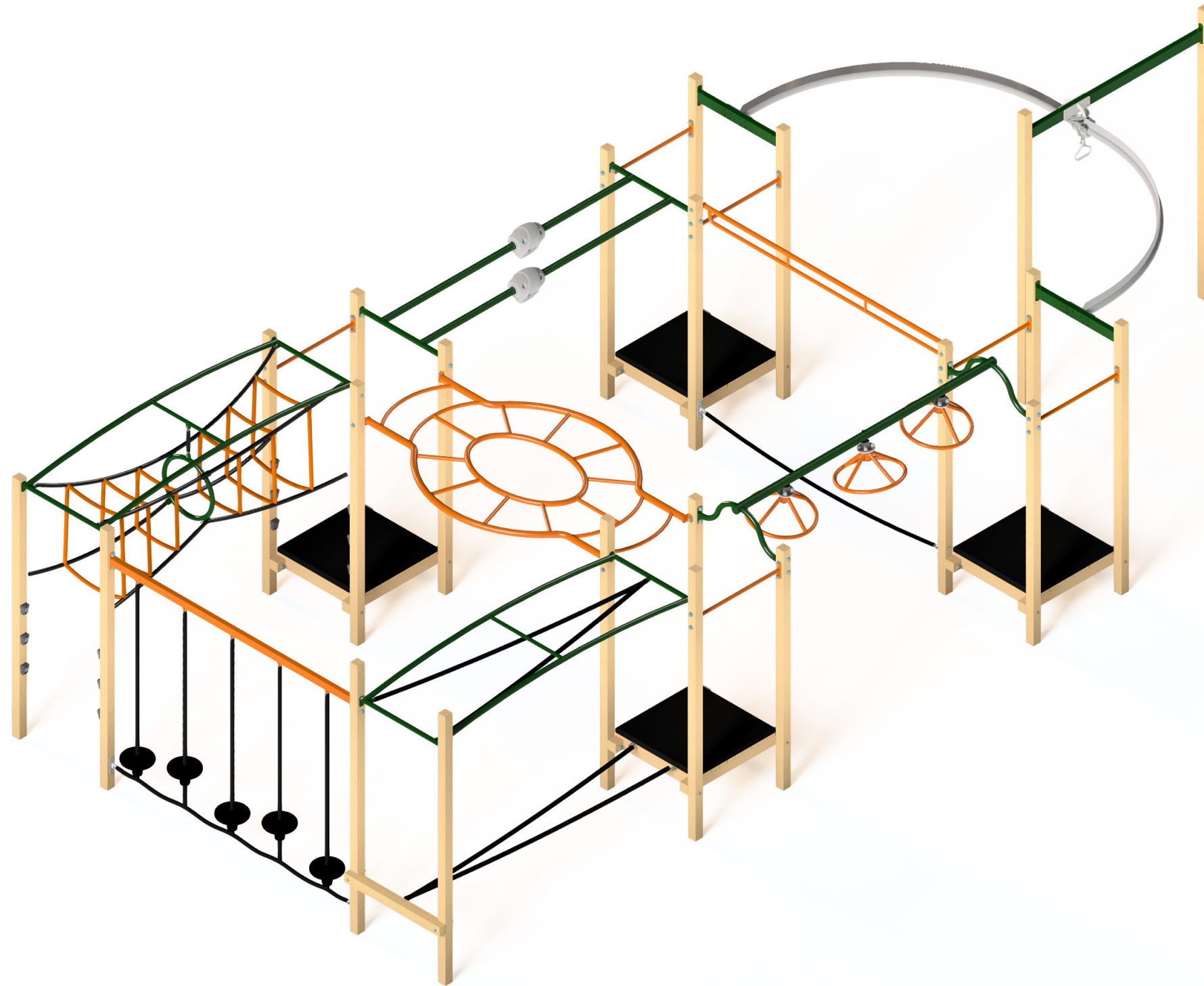
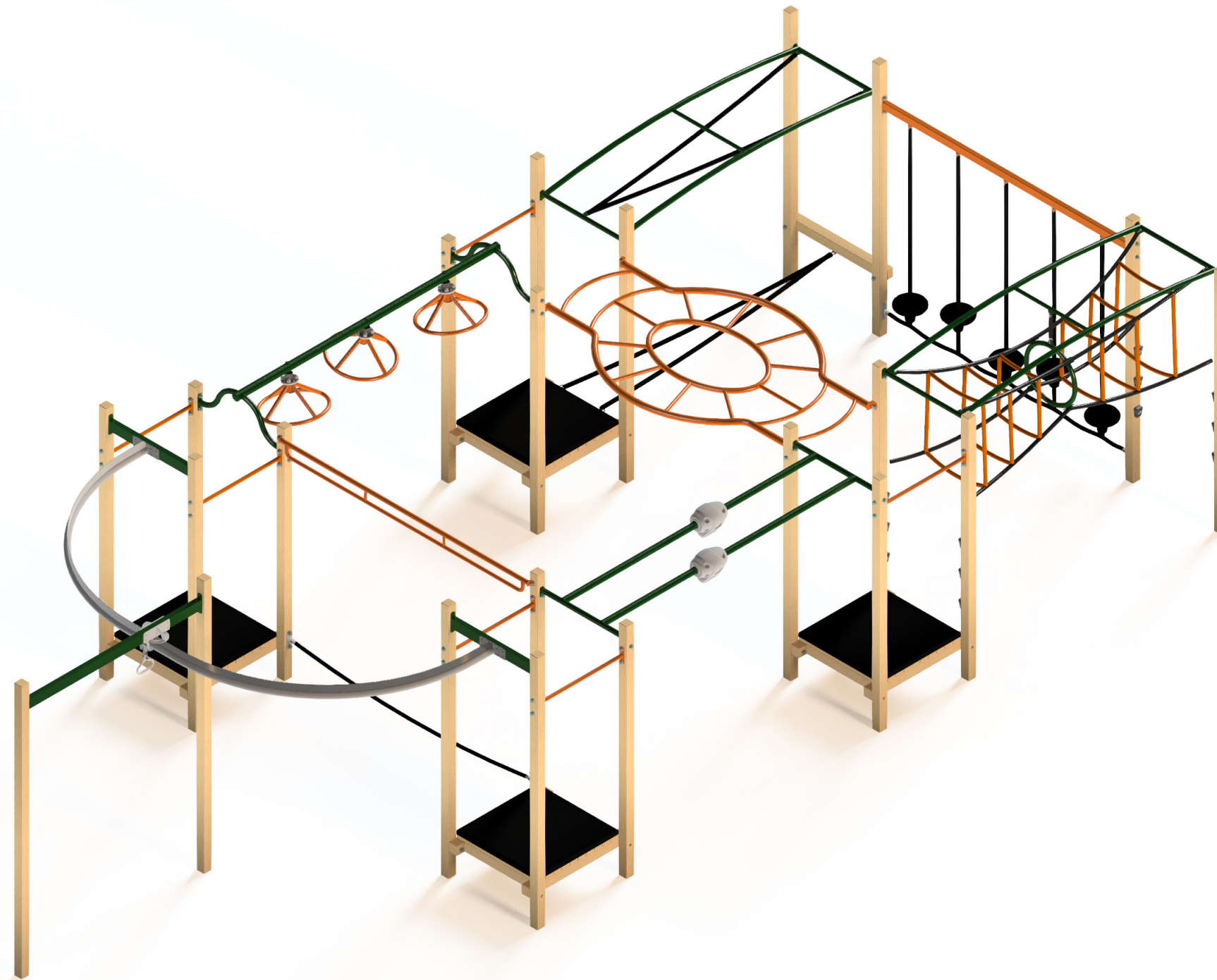


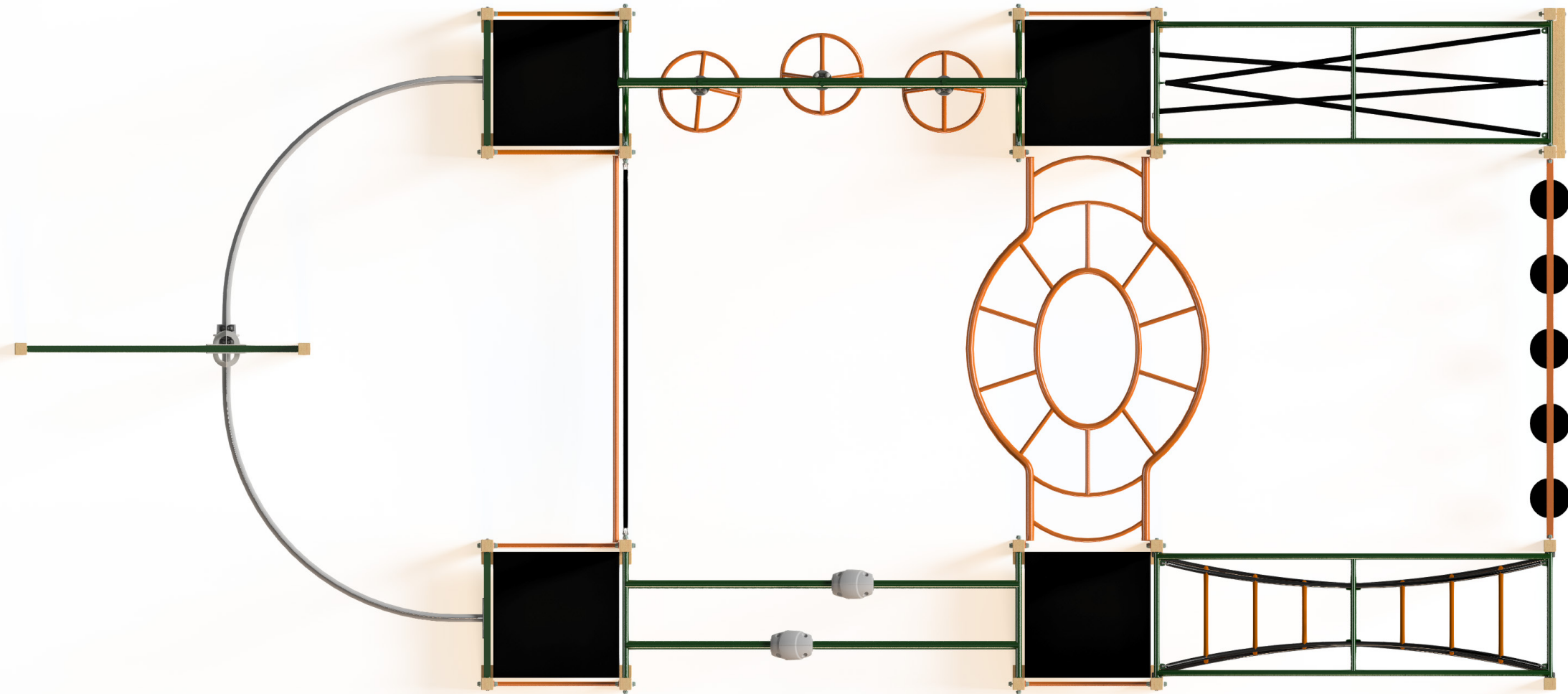
ZCORD Number



ZCORD Number



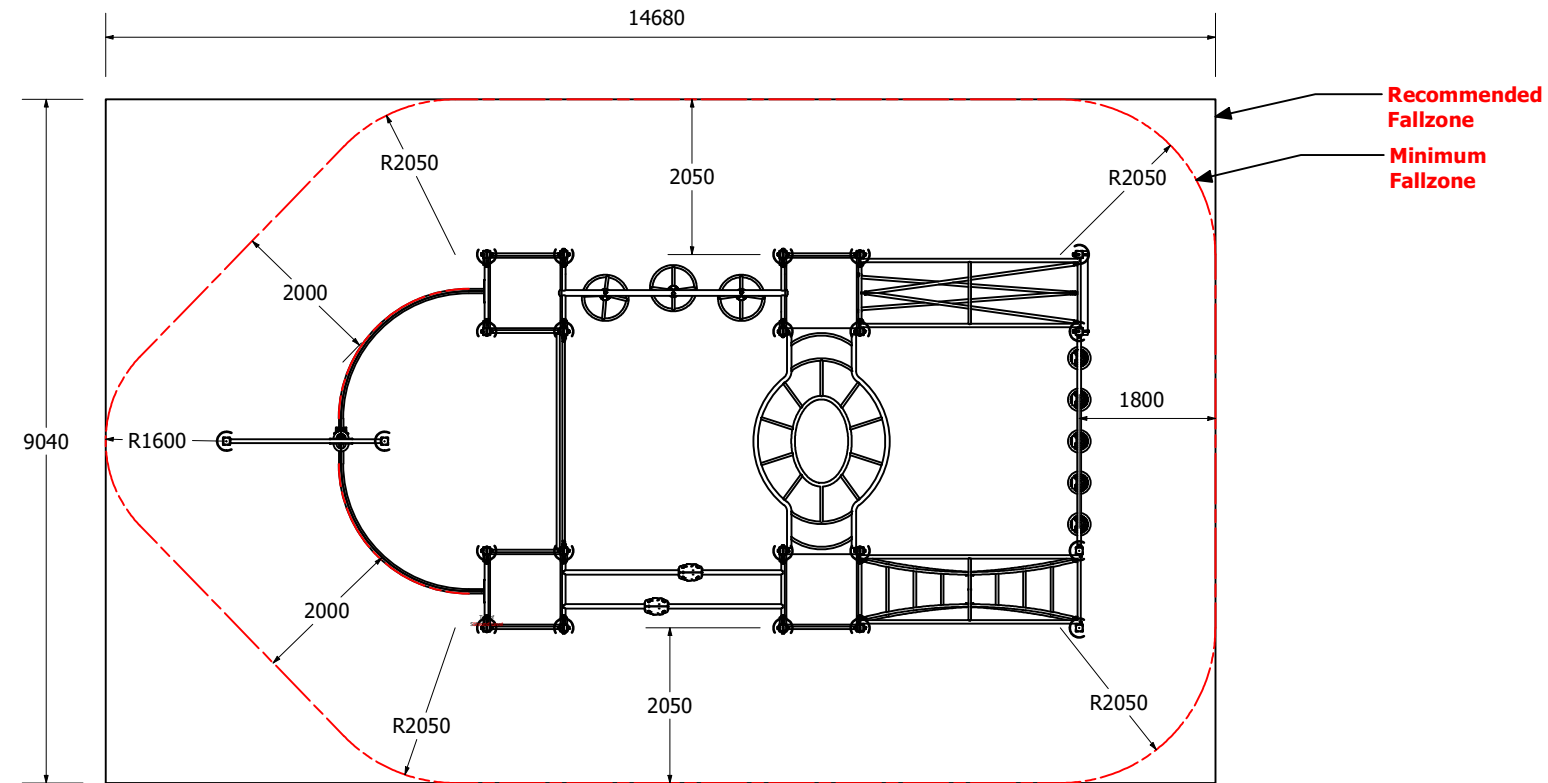
ZCORD Number



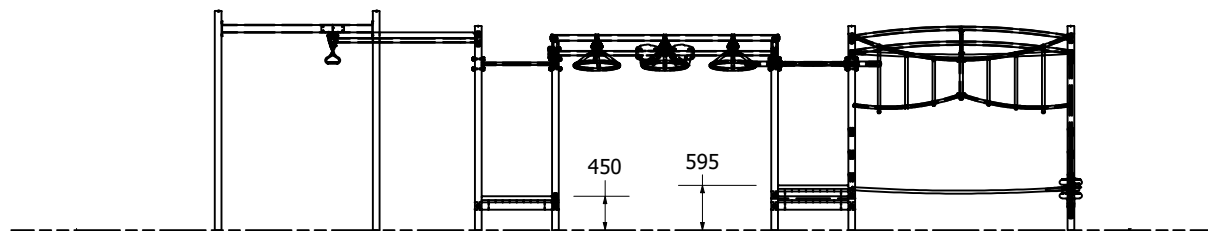
ZCORD Number

1:100 @ A3

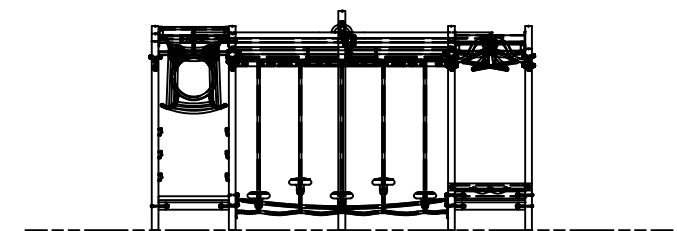
### Fallzones



### Right Elevation



### Front Elevation



Technical Information	
Main Dimension	14680 x 9040
Total Area	133m <sup>2</sup>
Max FHO	2200
Heaviest Part	--
Compliant to	NZS 5828:2015 AS 4685:2017 EN 1176:2008

REVISION HISTORY			
REV	DESCRIPTION	DATE	BY
0	Creation	20/11/2020	Sam