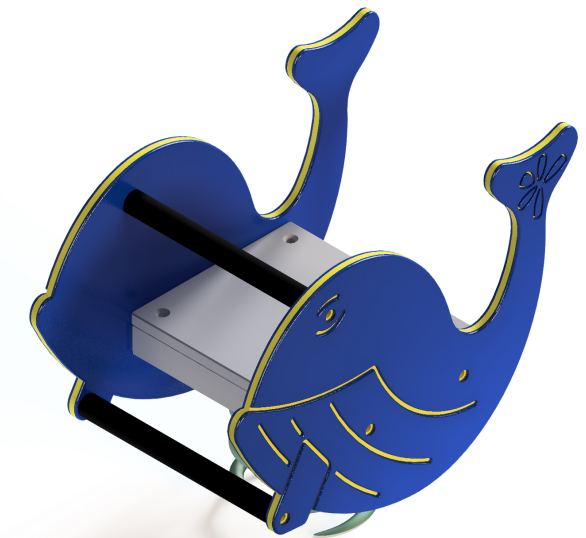
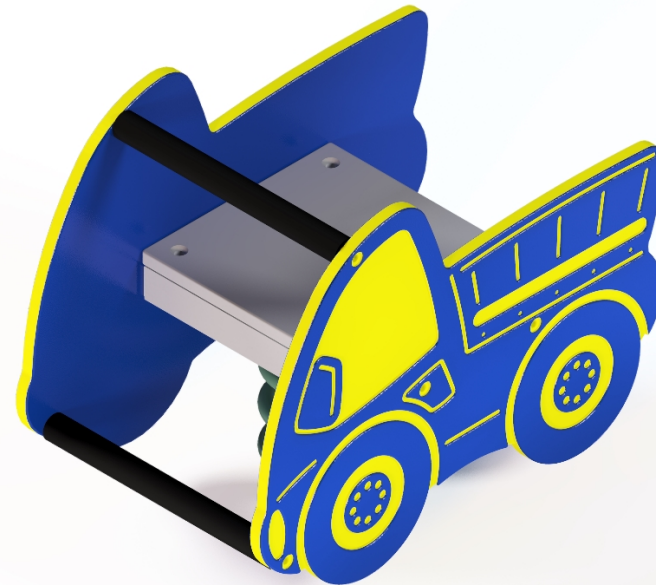
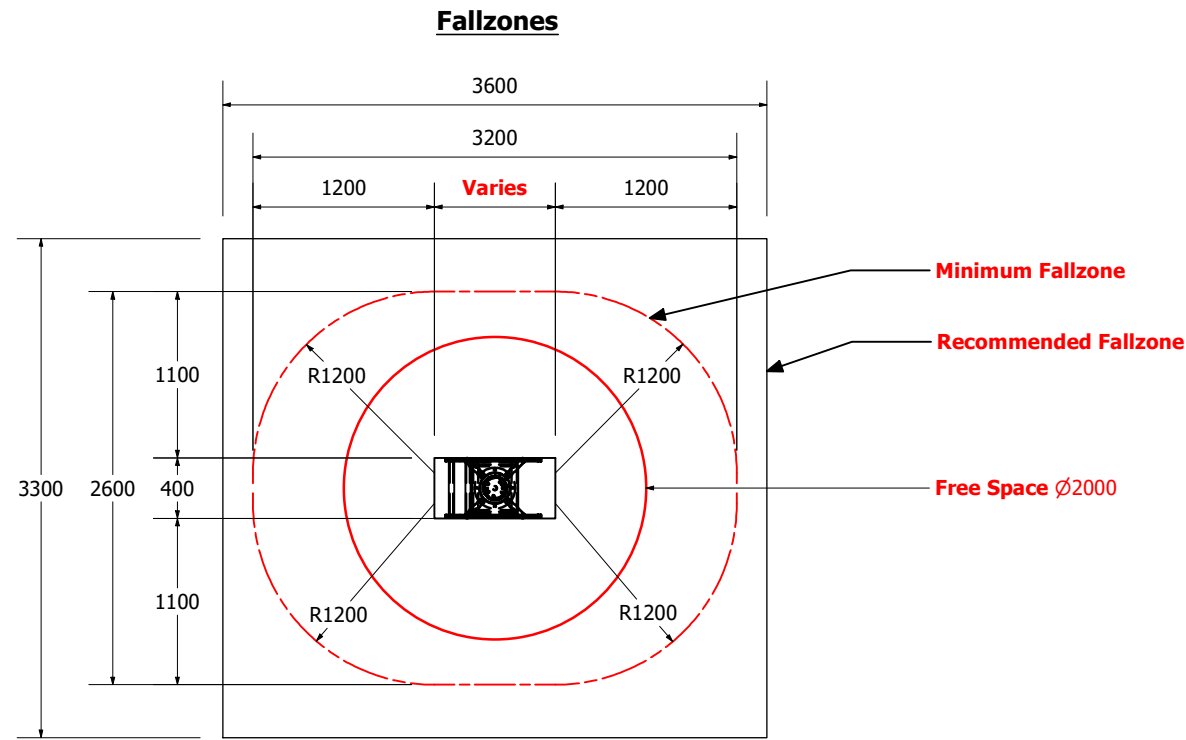


Springy Rocker

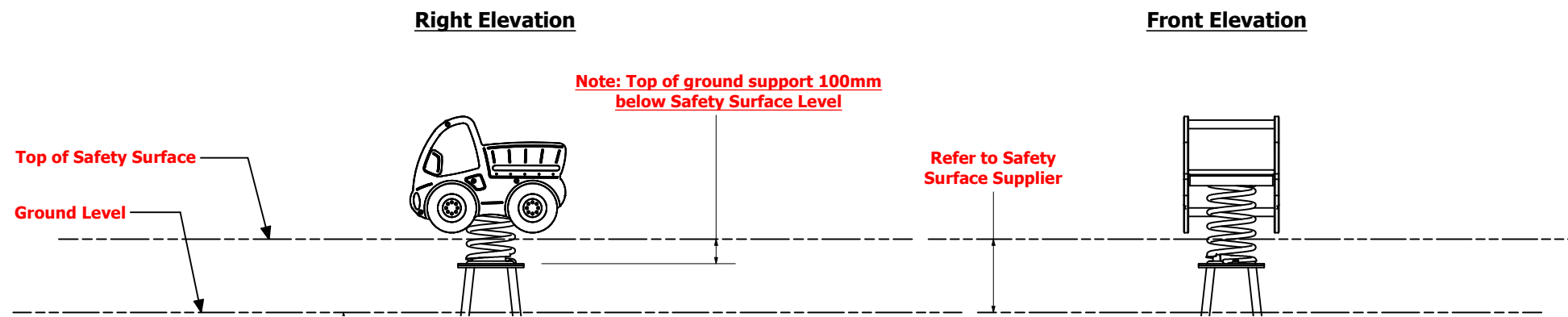
ZCORD Number



ZCORD Number
1:50 @ A3



Loosefill - Bark and Cushionfall Application
1:25 @ A3

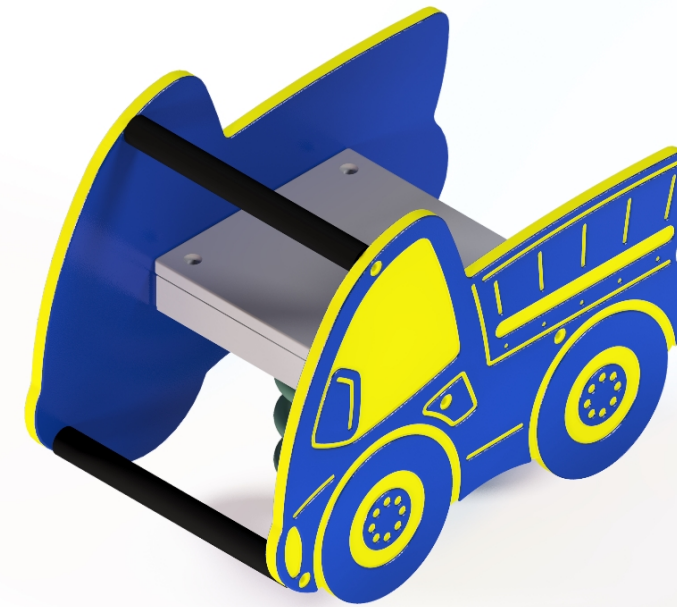
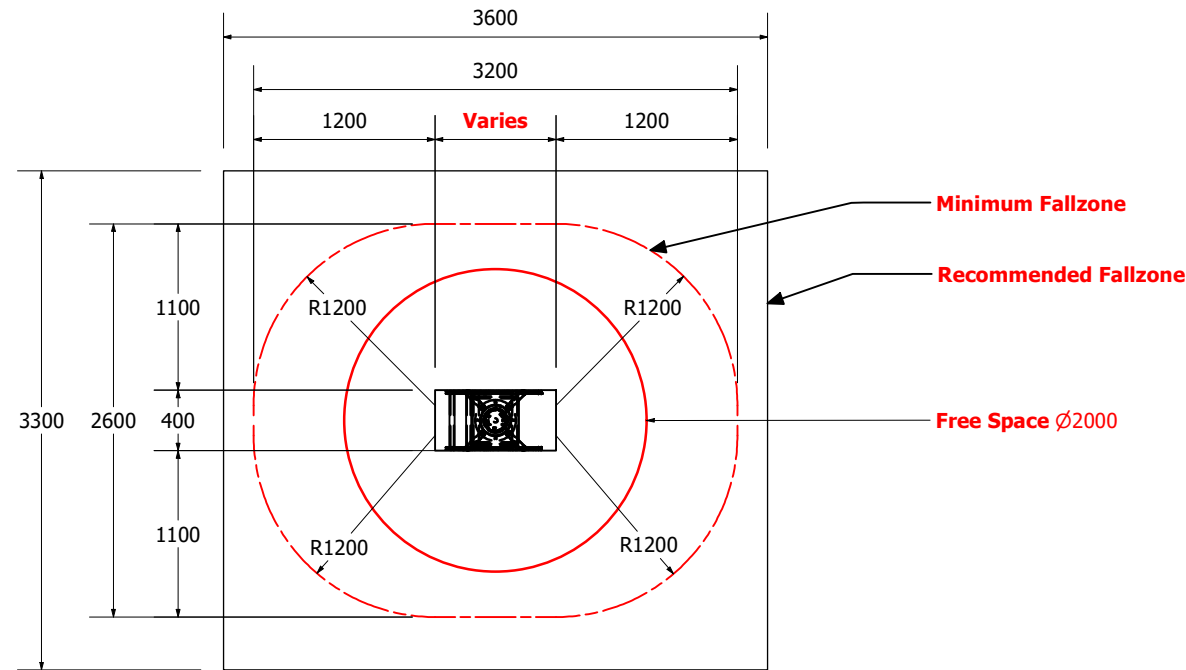


Technical Information	
Main Dimension	3600 x 3300
Total Area	12m ²
Max FHO	1m
Heaviest Part	8kg
Compliant to	NZS 5828:2015 AS 4685:2017 EN 1176:2008

REVISION HISTORY			
REV	DESCRIPTION	DATE	BY
0	Creation	17/09/2020	Sam

ZCORD Number

Fallzones



Synthetic - Matting Application 1:25 @ A3

Right Elevation

Front Elevation

