

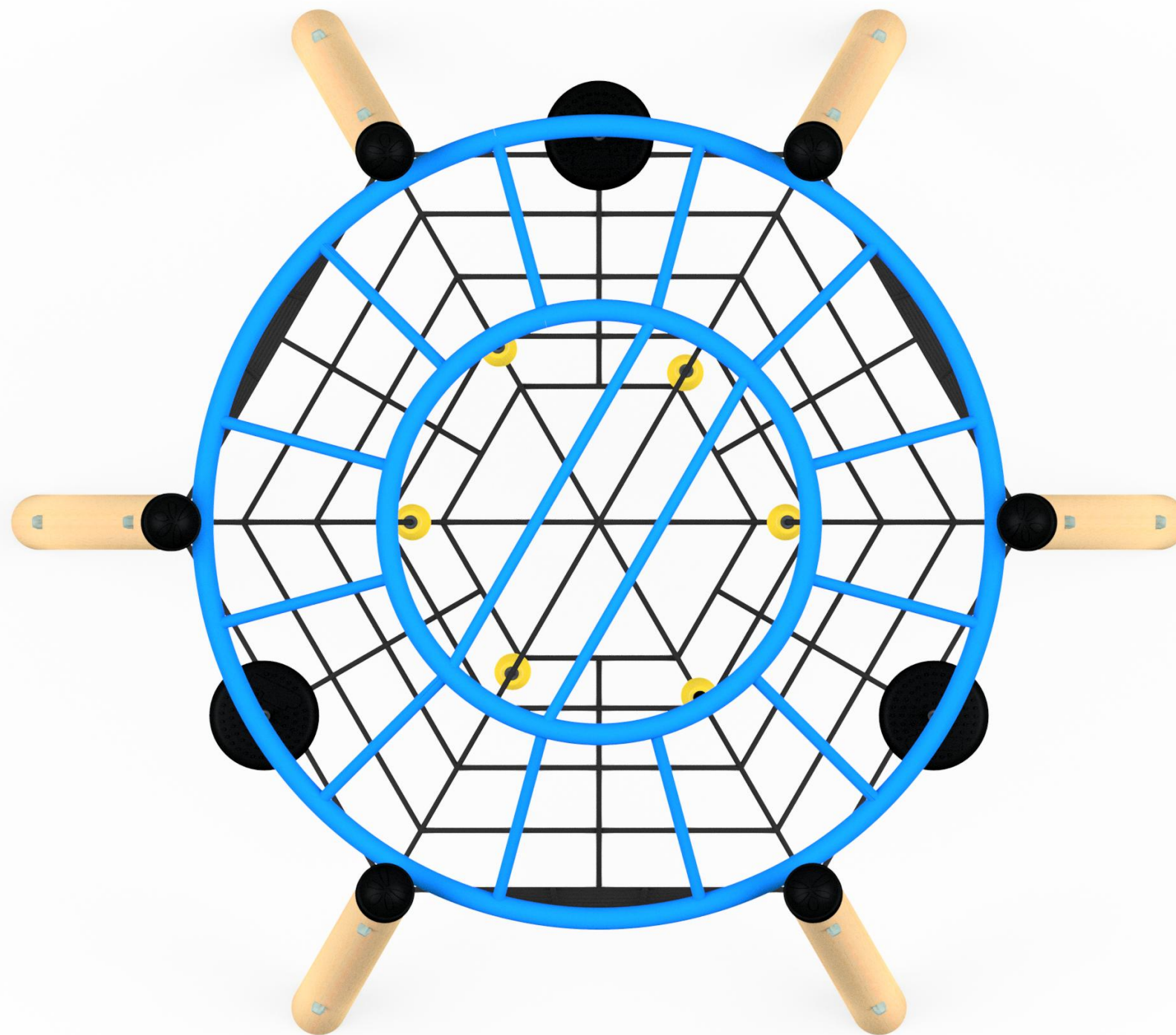
# Xtreme Fitness 560 - Climbing Hex



# Xtreme Fitness 560 - Climbing Hex

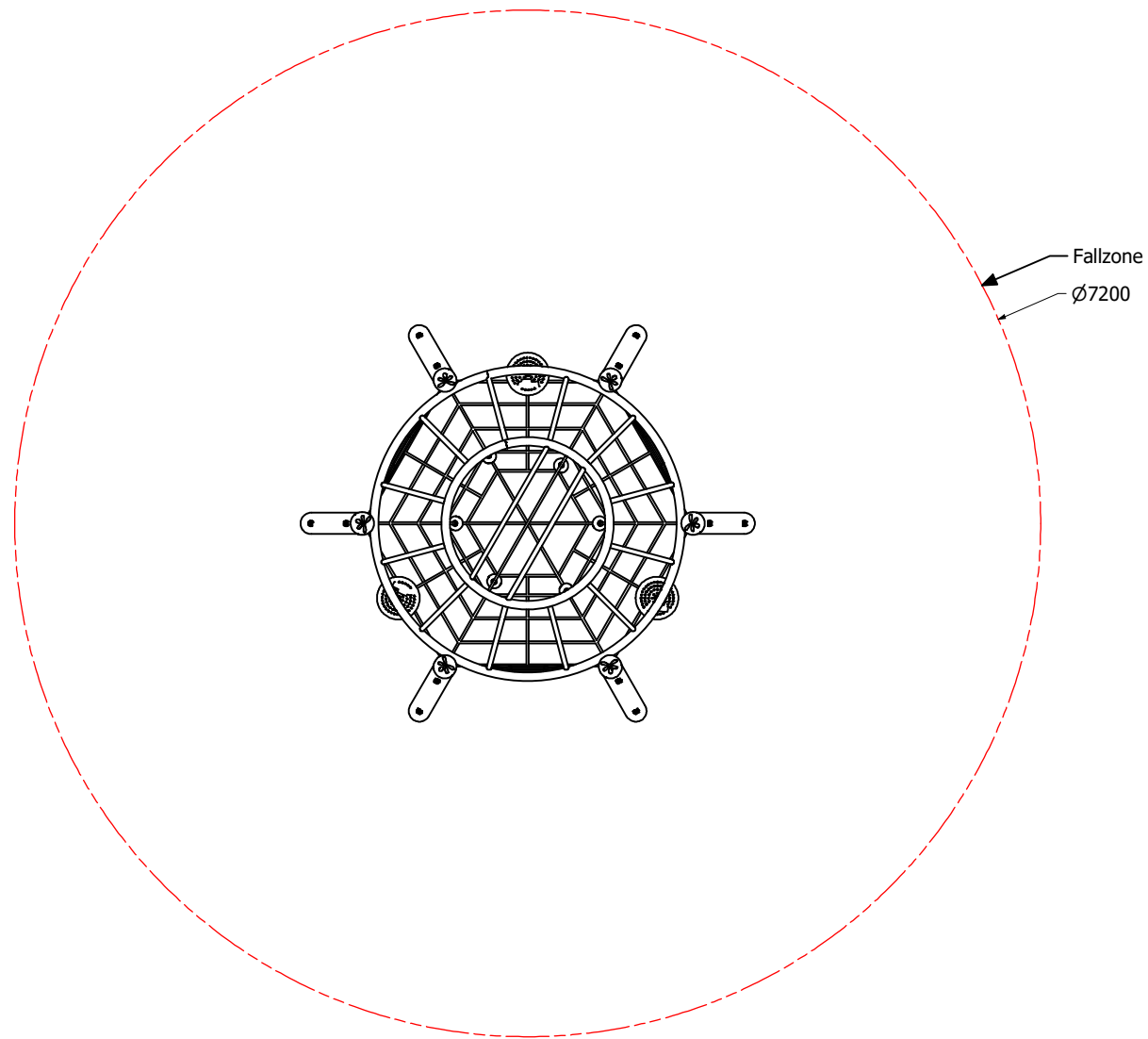


# Xtreme Fitness 560 - Climbing Hex

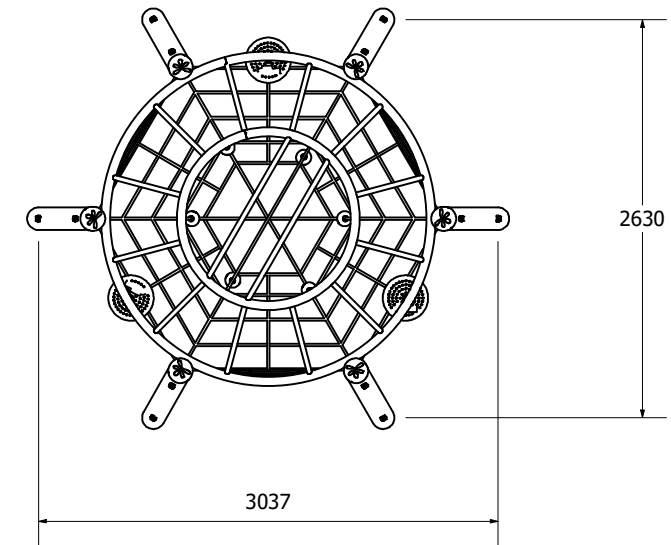


# Xtreme Fitness 560 - Climbing Hex

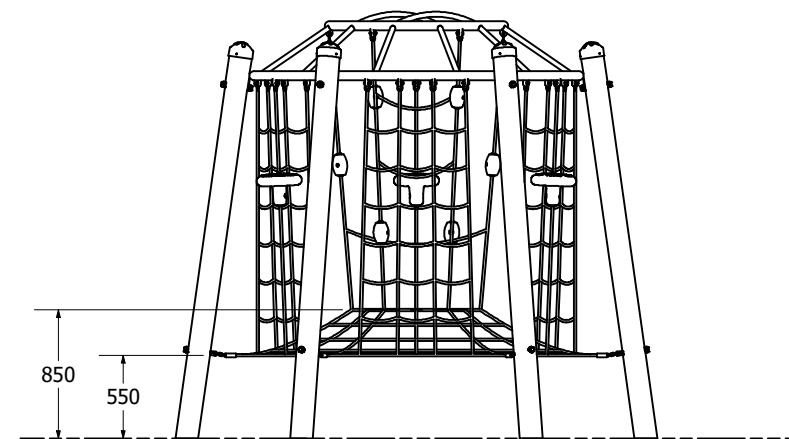
### Fallzones



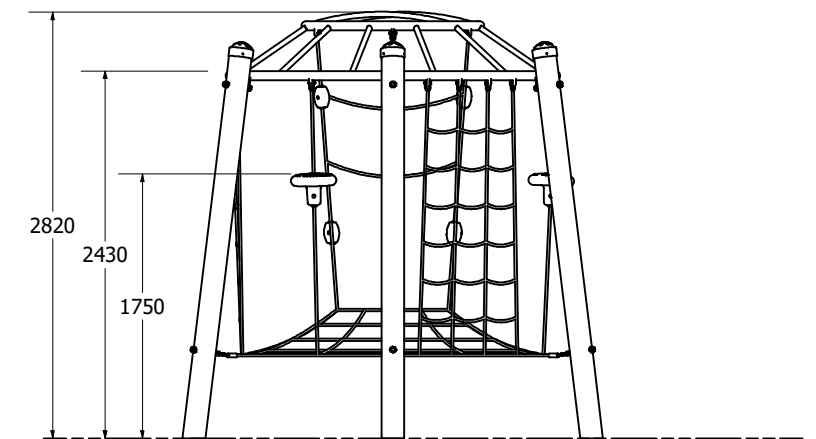
### Pole Dimensions



### Front Elevation



### Right Elevation



Technical Information	
Main Dimension	7200DIA
Total Area	41m2
Max FHO	3000
Heaviest Part	60kg
Compliant to	NZS 5828:2015 AS 4685:2017 EN 1176:2008