

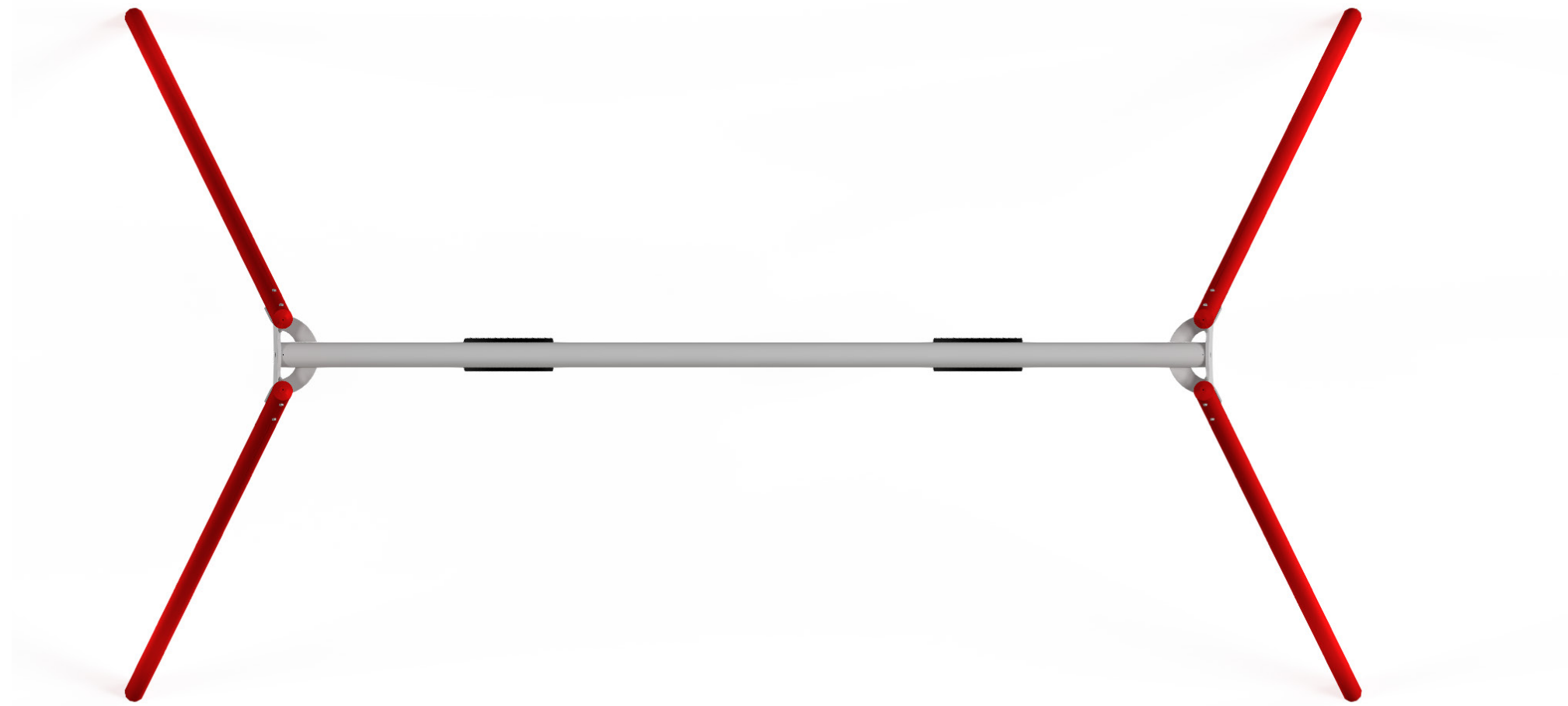
# 2 Bay Super Mega Swing - 2 x VR



# 2 Bay Super Mega Swing - 2 x VR



# 2 Bay Super Mega Swing - 2 x VR

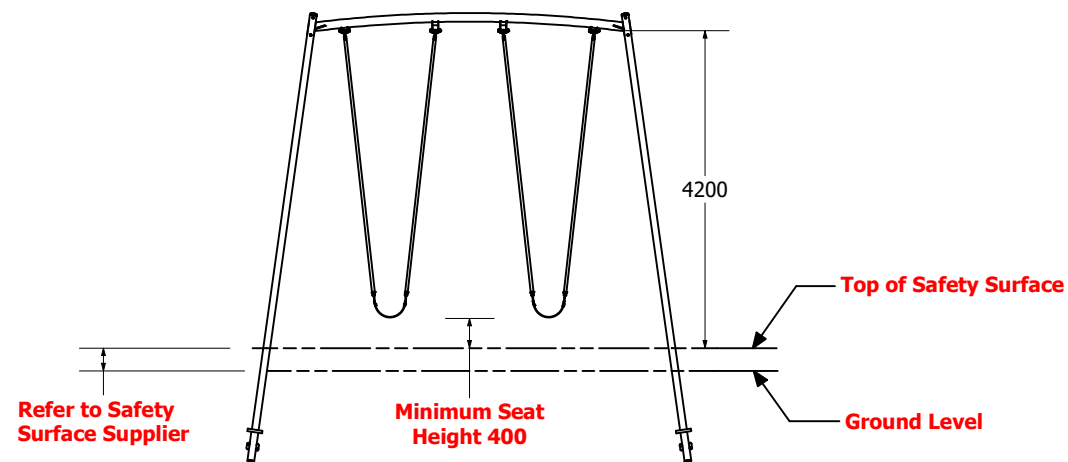
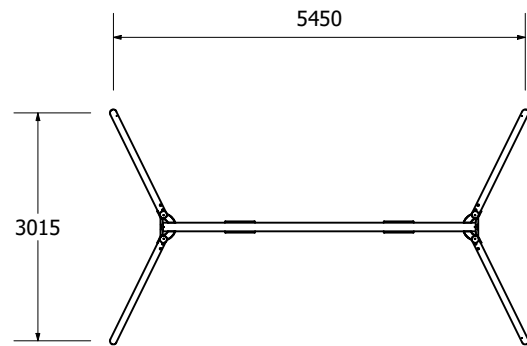


# 2 Bay Super Mega Swing - 2 x VR

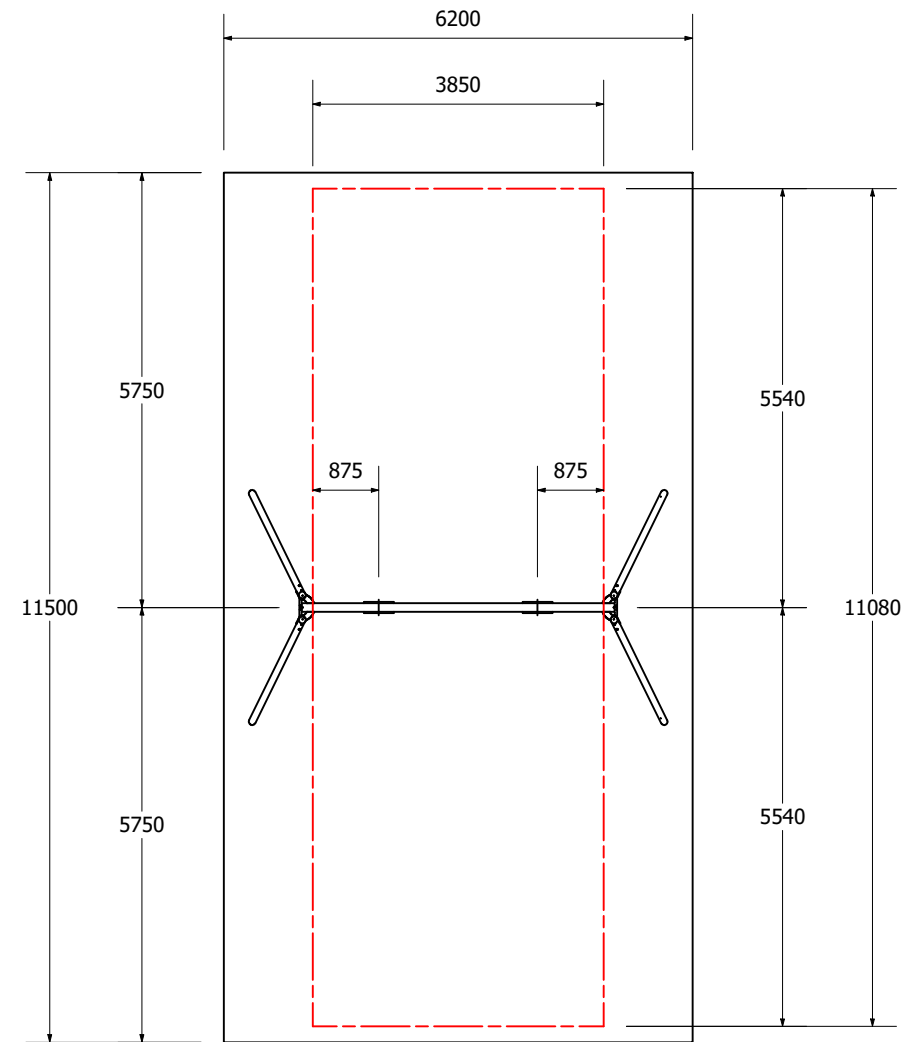
Fallzones for Loose Fill Application

1:100 @ A3

### DIMENSIONS AT GROUND LEVEL



### FALLZONE



Technical Information	
Legend - 2 Bay Super Mega Swing 4200	
	Suggested Fall Zone
	Minimum Fall Zone As Per AS4685:2014/ NZS5828:2015
	Flush With Safety Surface/ No Obstacles
Free Height Of Fall : 2300mm	
NOTE MINIMUM FALL ZONES CALCULATED OFF MINIMUM SEAT HEIGHT	
Heaviest Part	70 kg

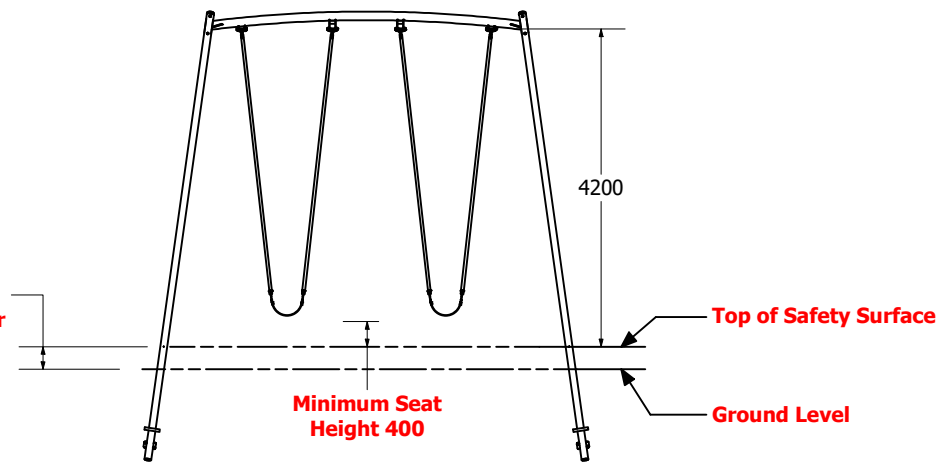
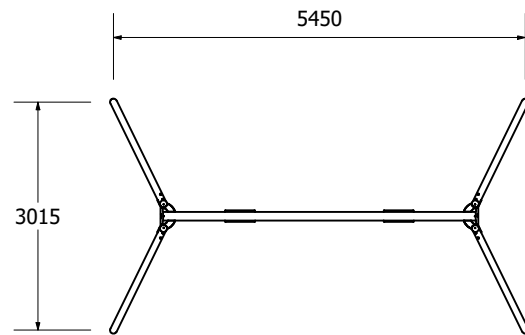
REVISION HISTORY			
REV	DESCRIPTION	DATE	BY
0	Creation	9/11/2017	

# 2 Bay Super Mega Swing - 2 x VR

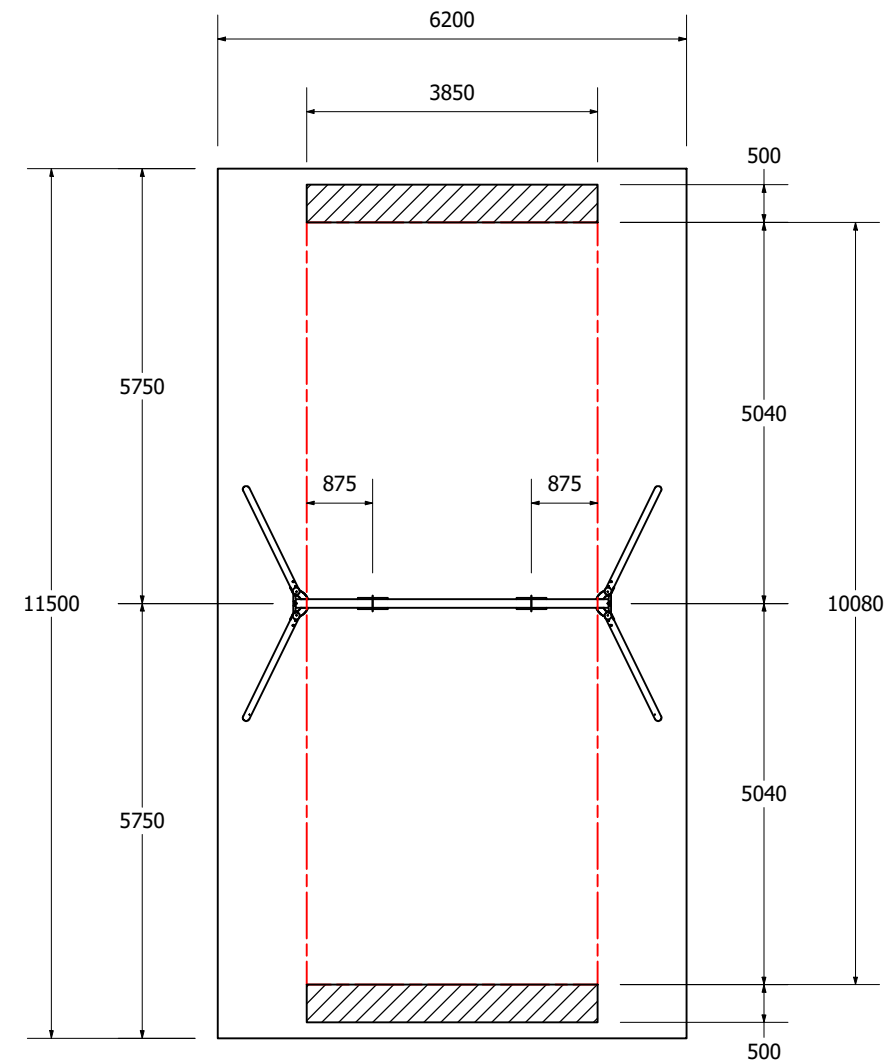
Fallzones for Synthetic Surface Application

1:100 @ A3

### DIMENSIONS AT GROUND LEVEL



### FALLZONE



Technical Information	
Legend - 2 Bay Super Mega Swing 4200	
	Suggested Fall Zone
	Minimum Fall Zone As Per AS4685:2014/ NZS5828:2015
	Flush With Safety Surface/ No Obstacles
Free Height Of Fall : 2300mm	
NOTE MINIMUM FALL ZONES CALCULATED OFF MINIMUM SEAT HEIGHT	
Heaviest Part	70 kg