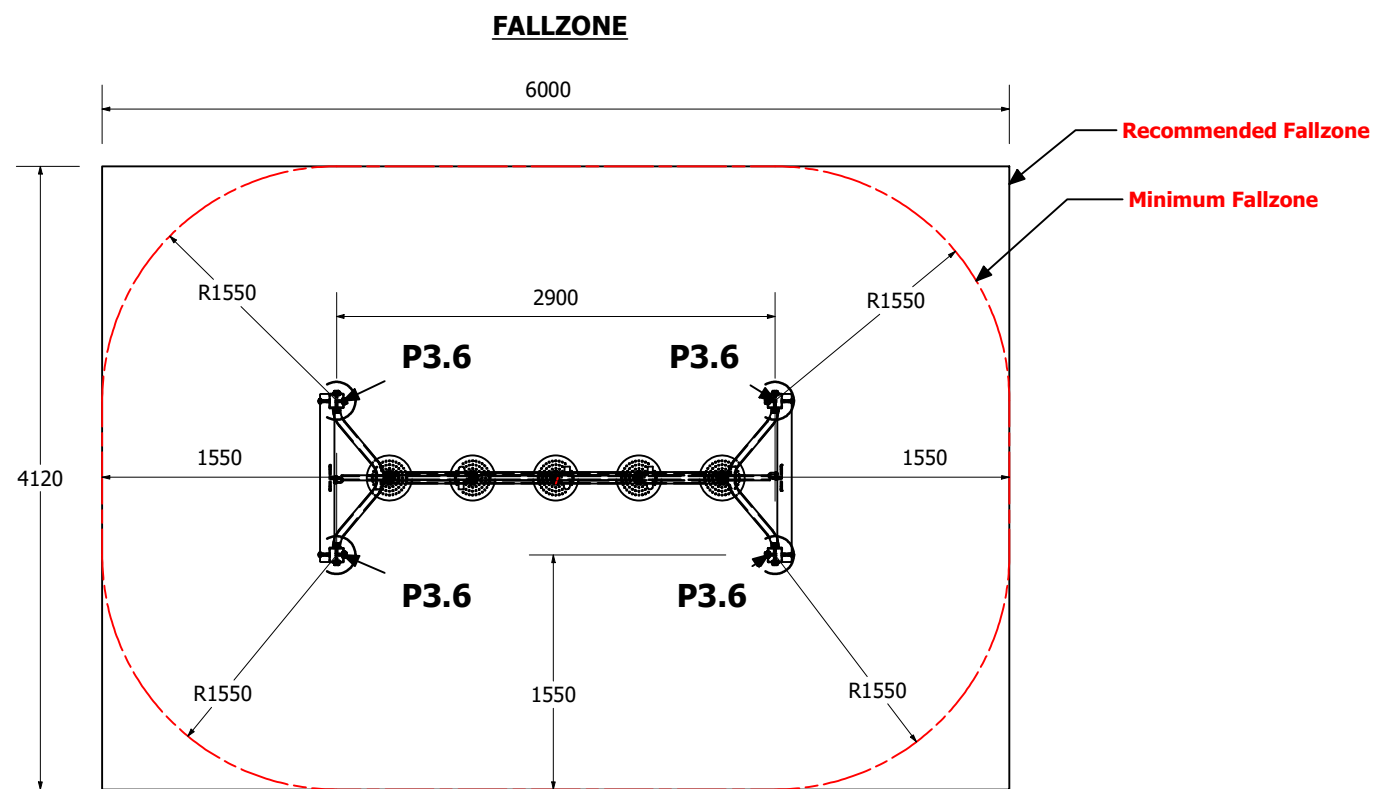
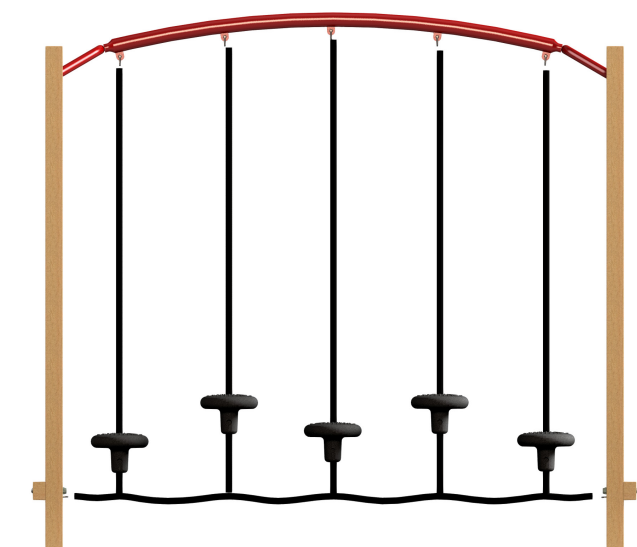
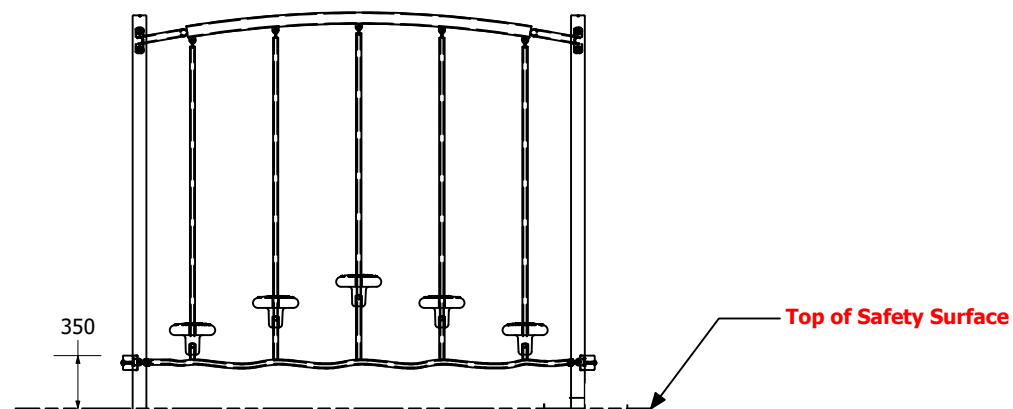


# Stepping Stones Fitness Station - Timbaplay

1:50 @ A3



**SIDE ELEVATION**



Technical Information	
Main Dimension	6000 x 4220
Total Area	25m <sup>2</sup>
Max FHO	1m
Heaviest Part	40kg
Compliant to	NZS 5828:2015 AS 4685:2017 EN 1176:2008

REVISION HISTORY			
REV	DESCRIPTION	DATE	BY
0	Creation	29/06/2018	