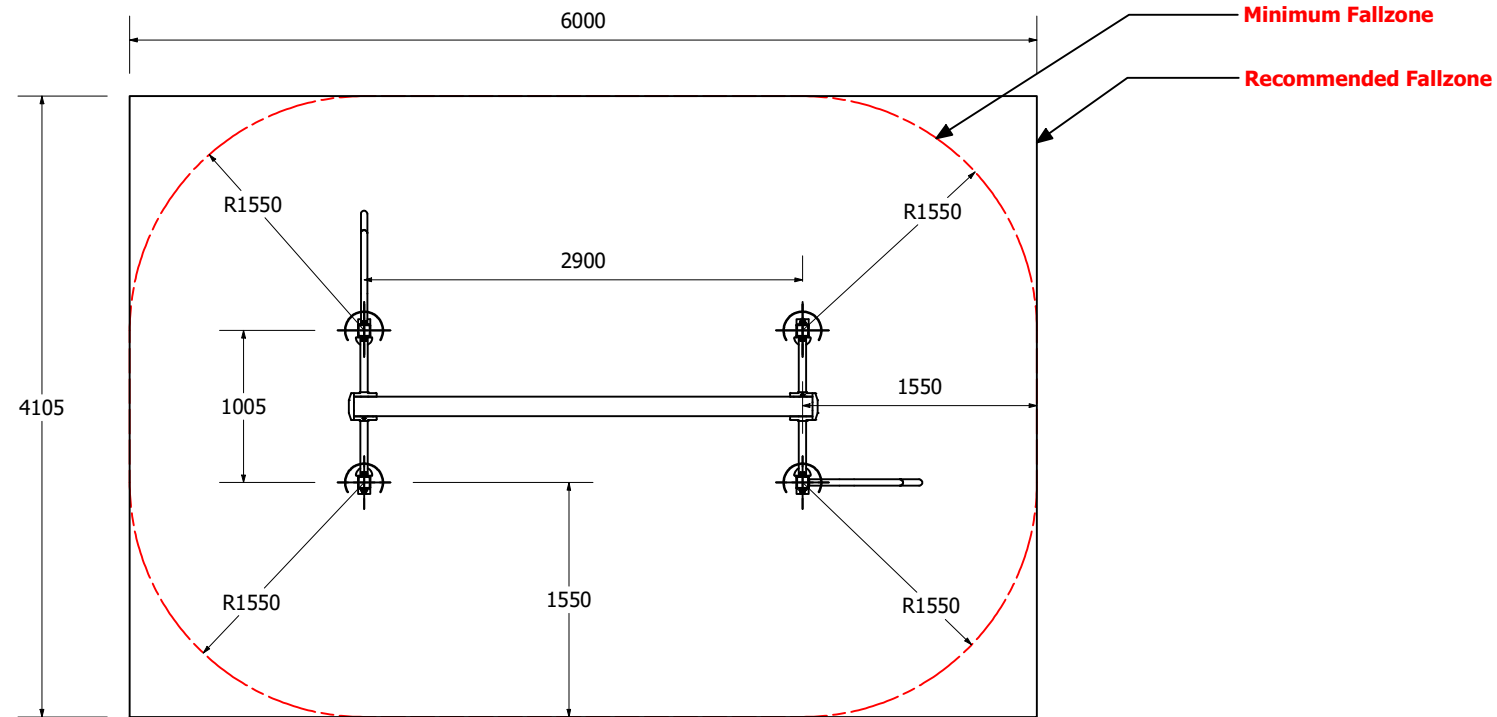


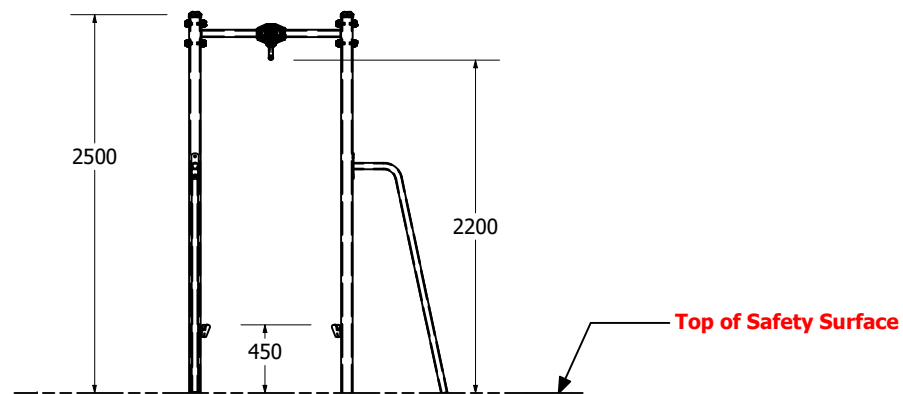
Whisperglide Fitness Station - Metaplay

1:50 @ A3

FALLZONES



FRONT ELEVATION



Technical Information	
Main Dimension	6000 x 4105
Total Area	25 m2
Max FHO	2200
Heaviest Part	30kg
Compliant to	NZS 5828:2015 AS 4685:2017 EN 1176:2008

REVISION HISTORY			
REV	DESCRIPTION	DATE	BY
0	Creation	20/07/2018	