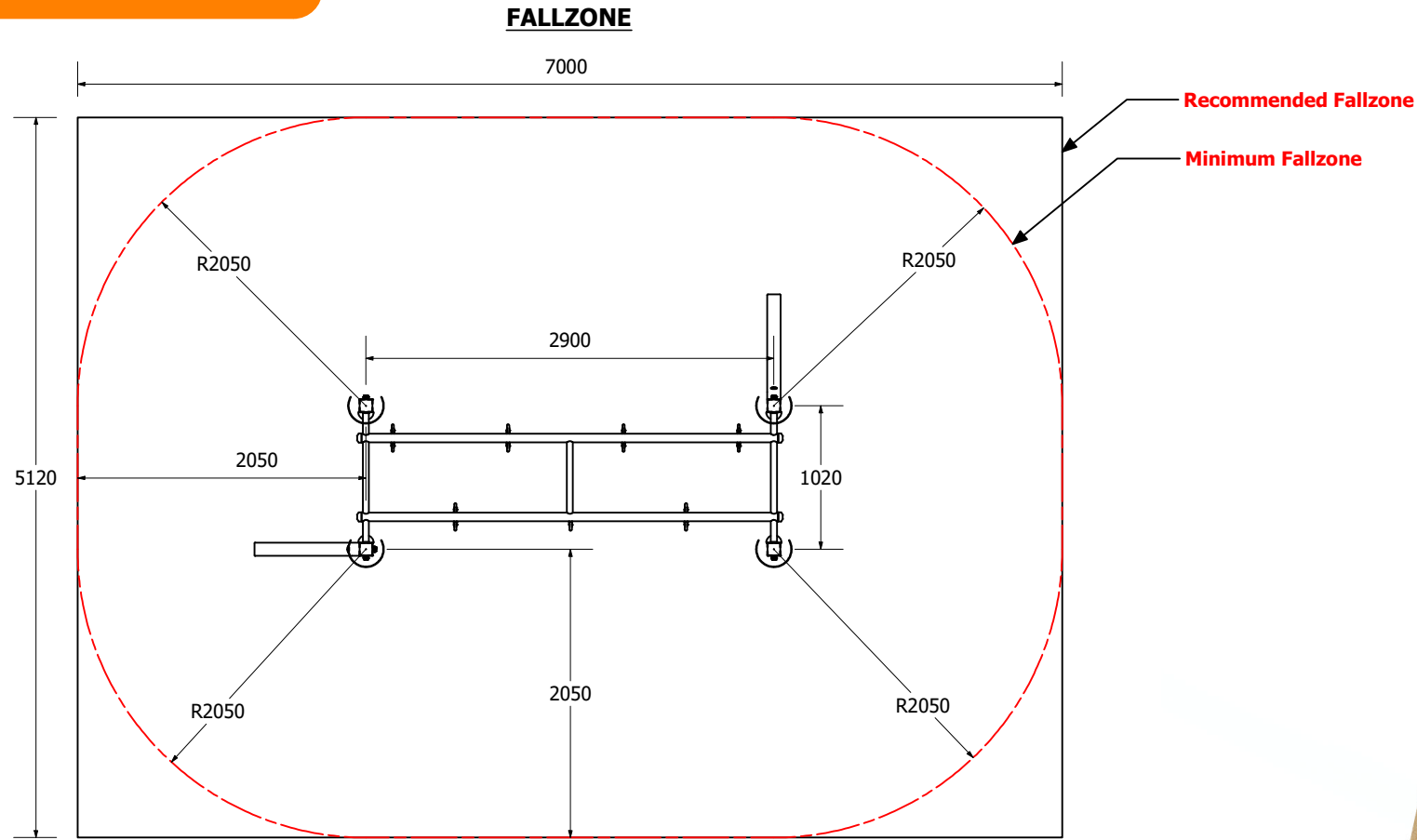
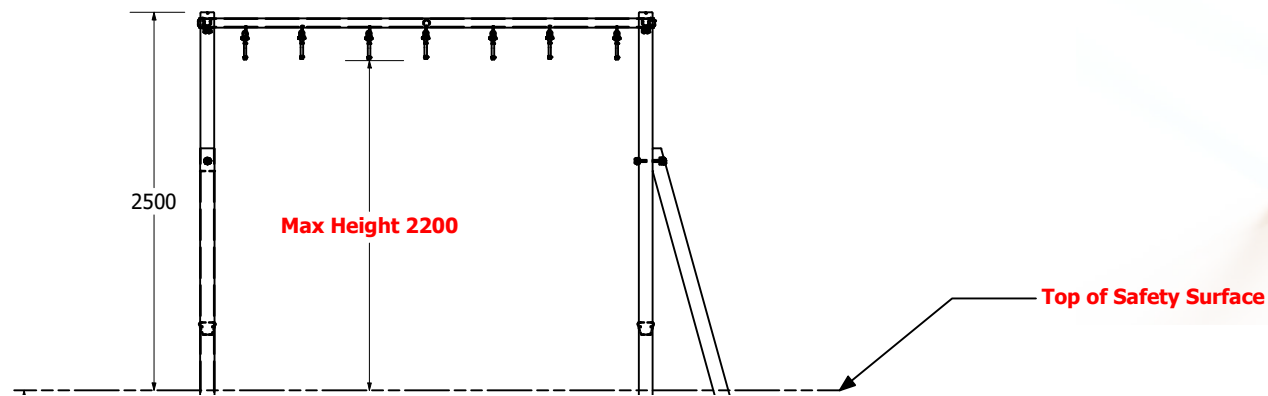


# Hanging Rings Fitness Station (Double-Timbaplay)

1:50 @ A3



**SIDE ELEVATION**



Technical Information	
Main Dimension	7000 x 5120
Total Area	36m <sup>2</sup>
Max FHO	2200
Heaviest Part	--kg
Compliant to	NZS 5828:2015 AS 4685:2017 EN 1176:2008

REVISION HISTORY			
REV	DESCRIPTION	DATE	BY
0	Creation	14/07/2018	