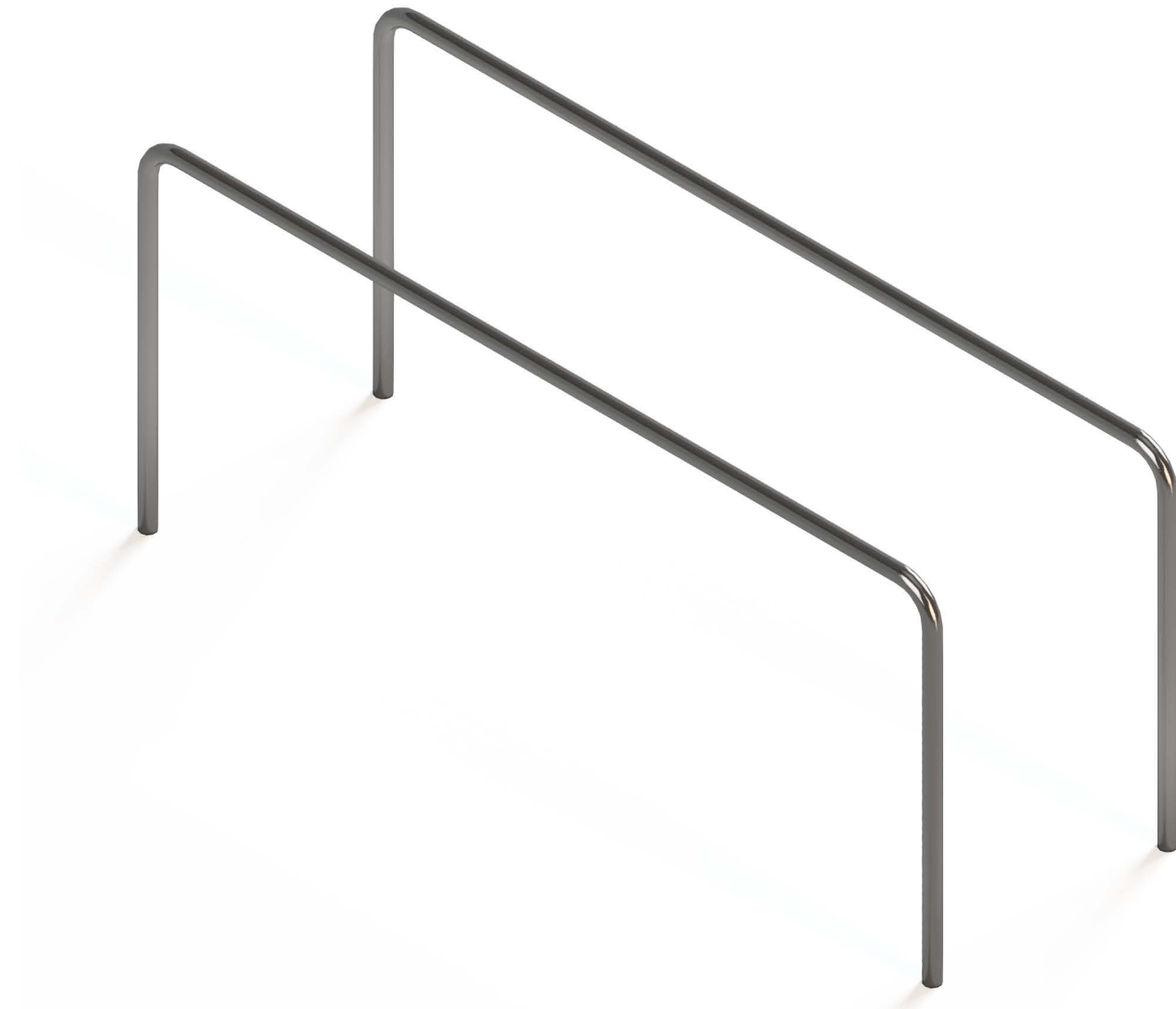
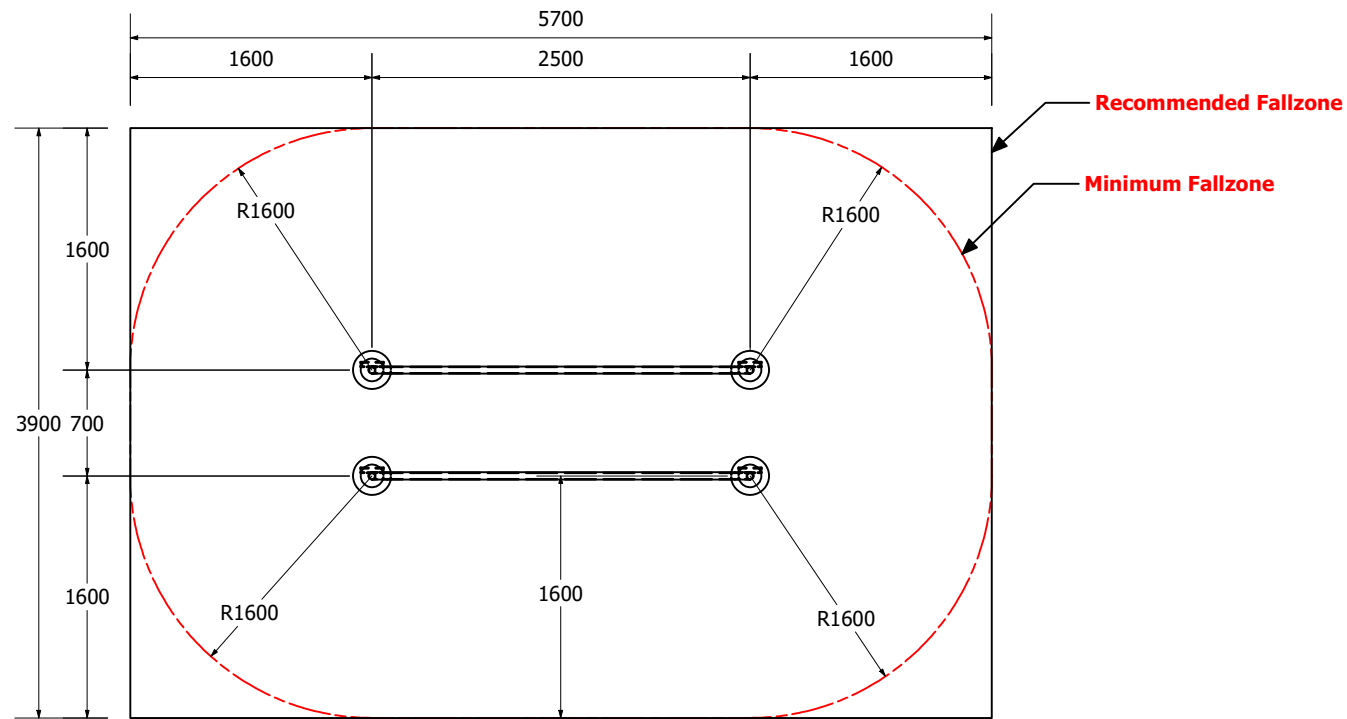
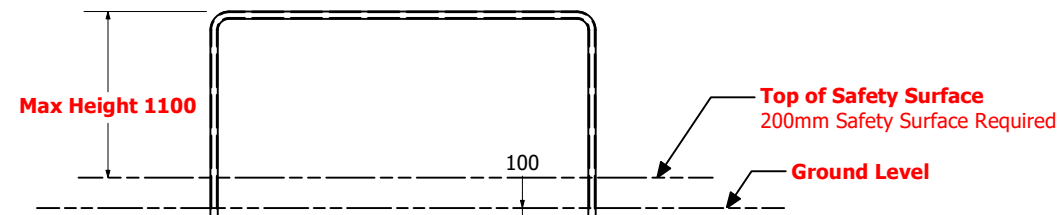


1:50 @ A3

FALLZONE



SIDE ELEVATION



Technical Information	
Main Dimension	3900 x 5700
Total Area	21m ²
Max FHO	1100
Heaviest Part	24kg
Compliant to	NZS 5828:2015 AS 4685:2017 EN 1176:2008

REVISION HISTORY			
REV	DESCRIPTION	DATE	BY
0	Creation	22/05/2020	Sam