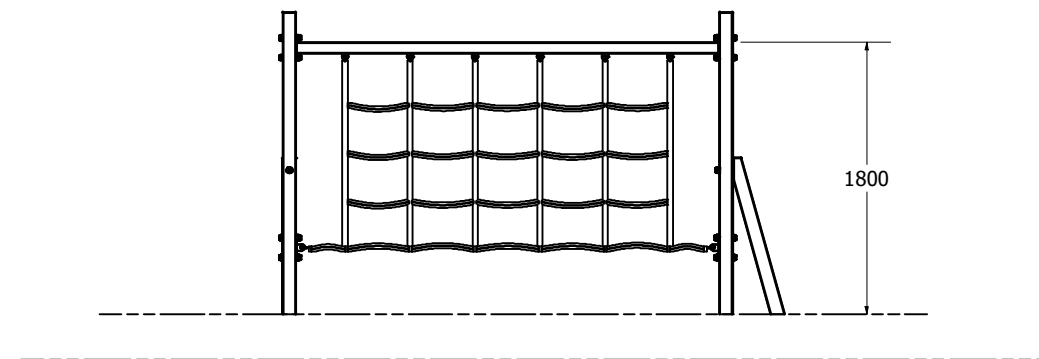
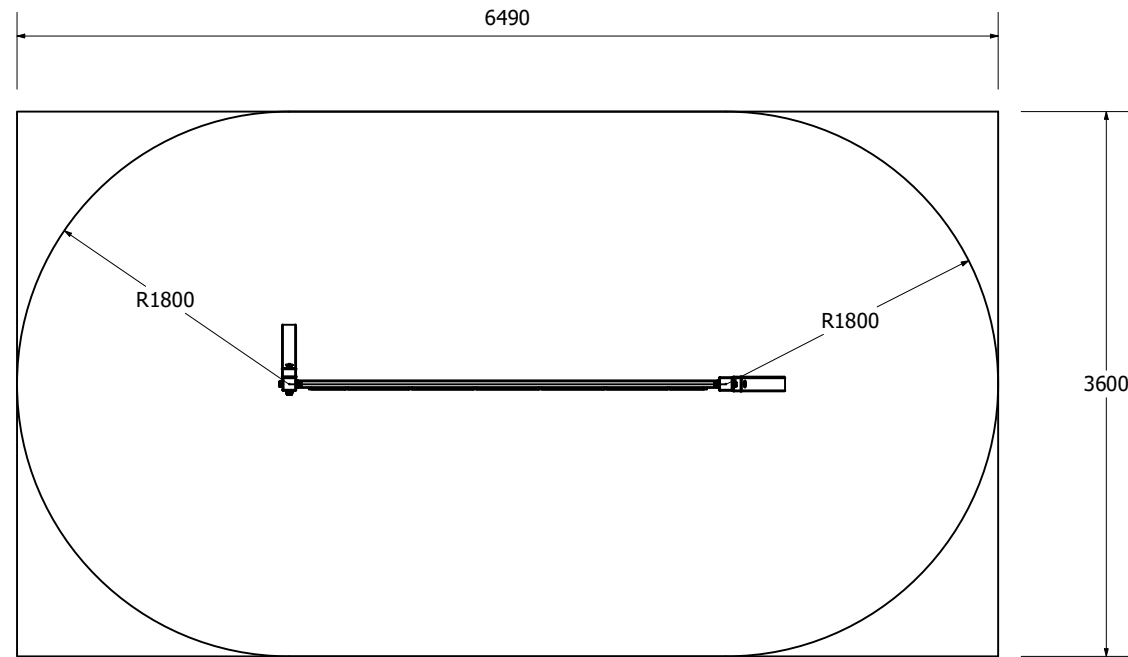


# Commando Net Fitness Station

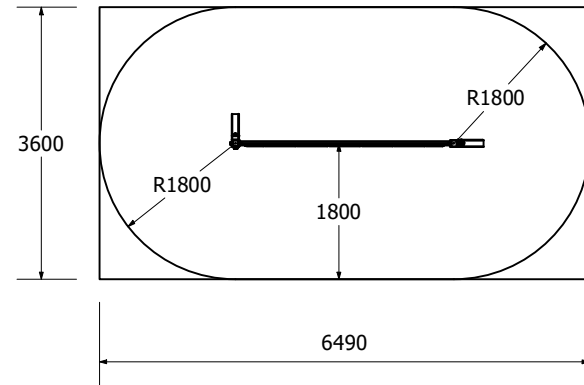


1 : 50 @ A3

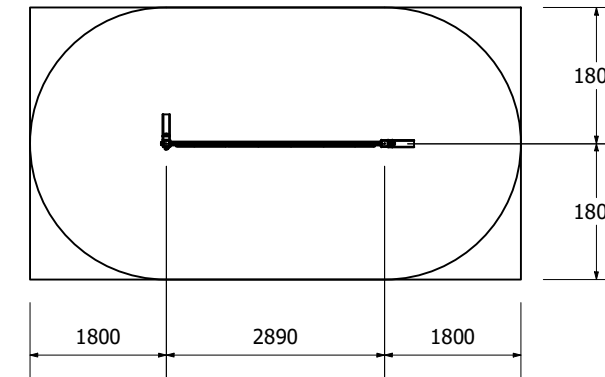


Technical Information	
Main Dimension	6490 x 3600mm
Total Area	23.4m <sup>2</sup>
Max FHO	1800mm
Heaviest Part	-
Compliant to	NZS 5828:2015 AS 4685:2021 EN 1176:2007

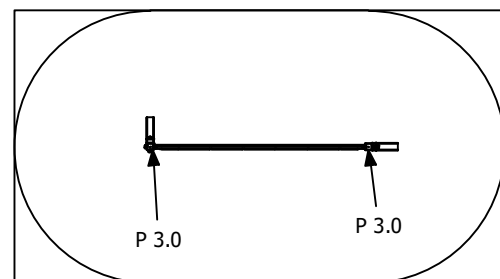
**Fallzones**



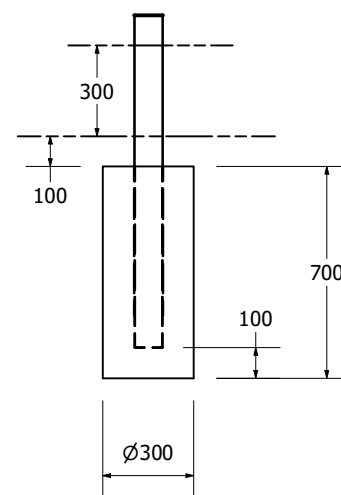
**Pole Dimensions**



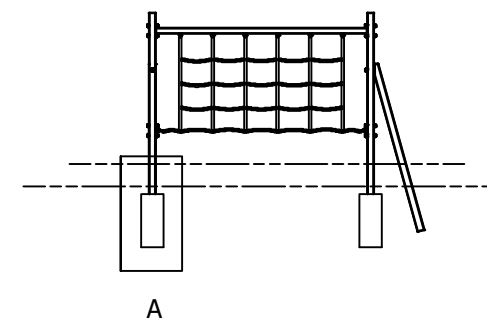
**Pole Type**



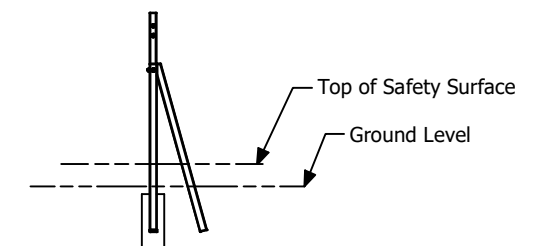
**A ( 1 : 25 )**



**Front Elevation**



**Right Elevation**



REVISION HISTORY			
REV	DESCRIPTION	DATE	BY
A	Creation	10/04/2024	FJC

DRAWN BY **FJC**  
DATE DRAWN **10/04/2024**

SCALE  
**1 : 100 @ A3**

PART NUMBER **HFCOTP30**

DESCRIPTION **Commando Net Fitness Station - TP**

SHEET  
**3/4**