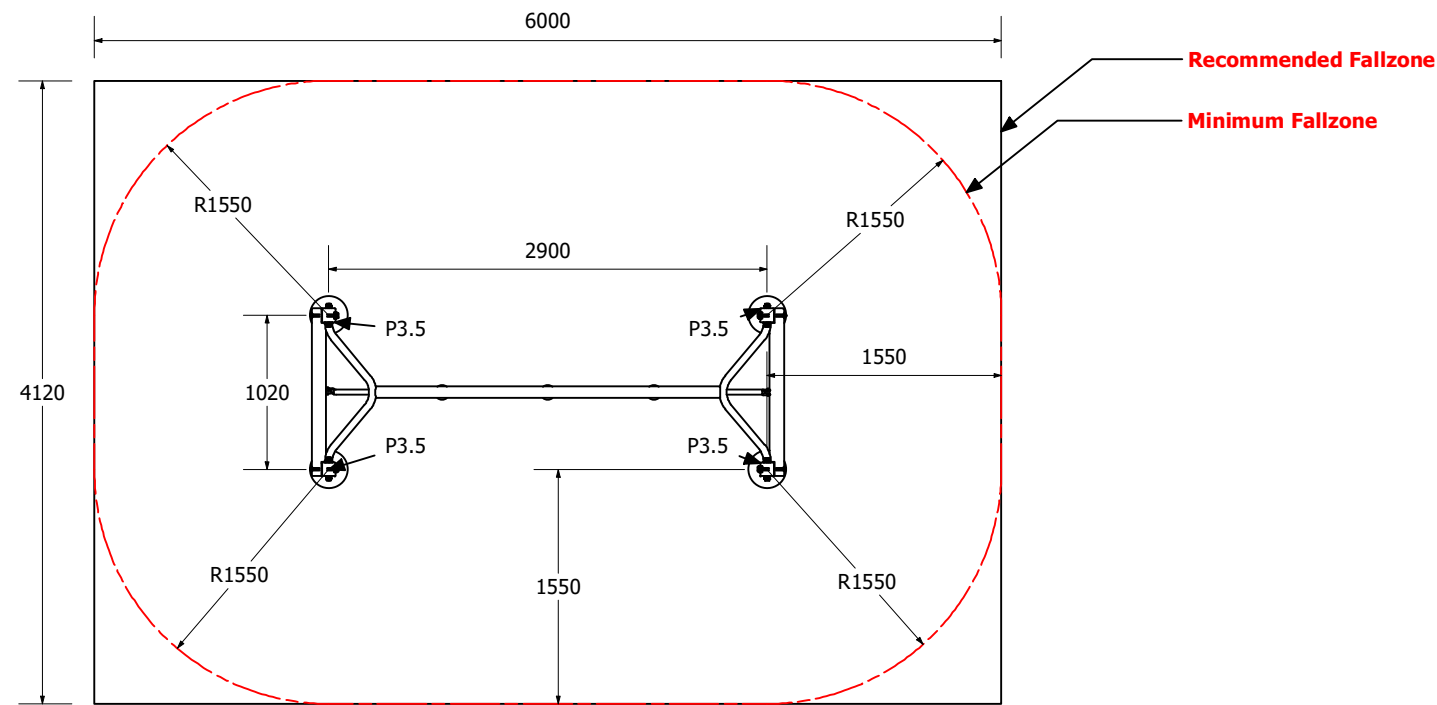
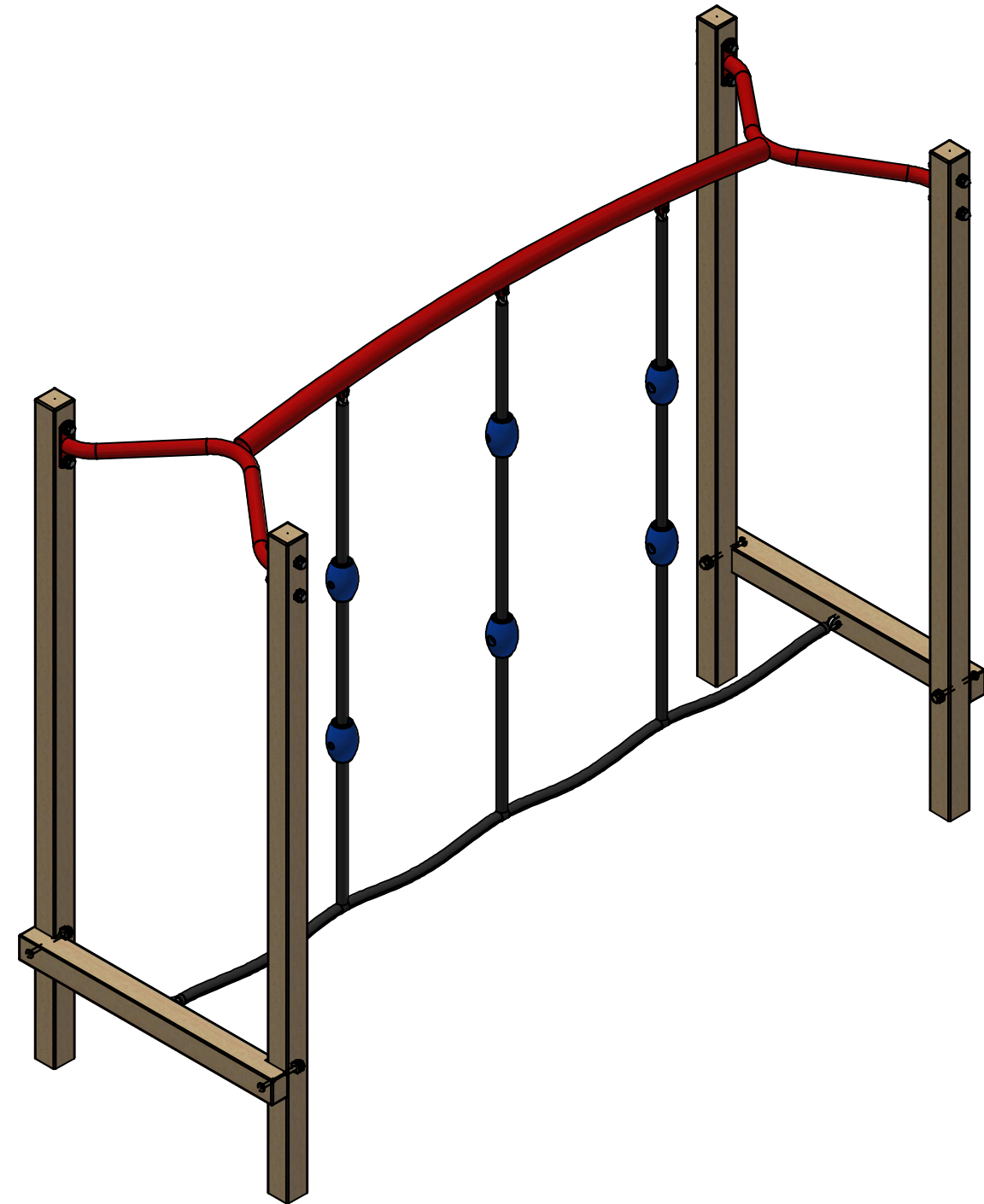
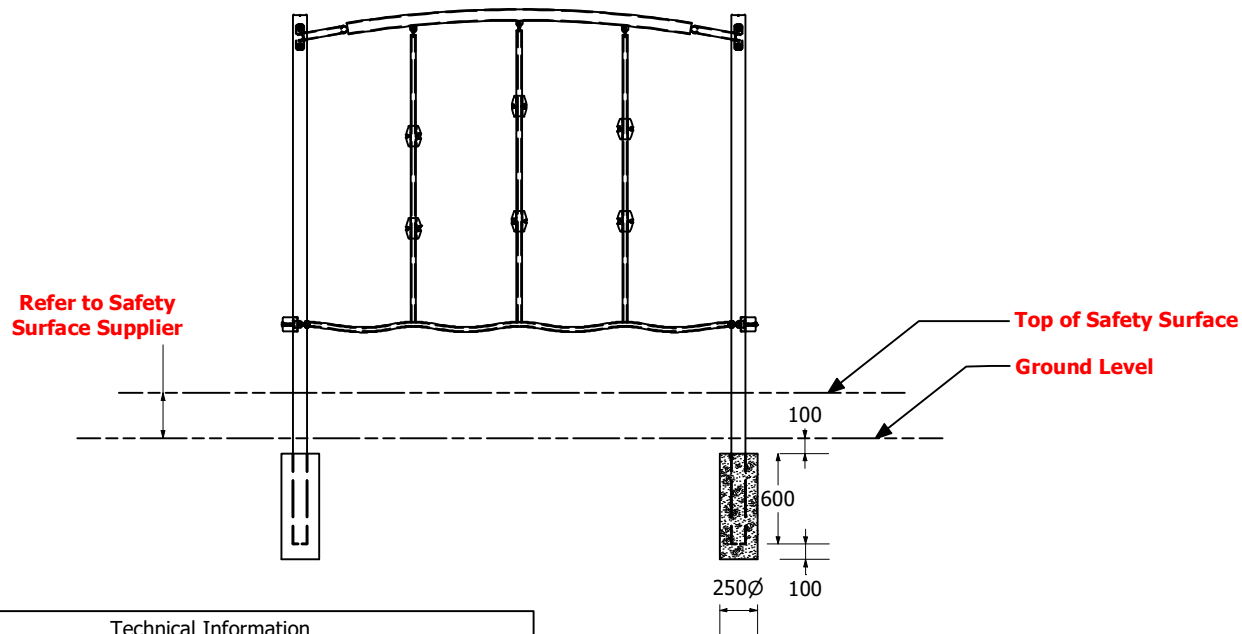


1:50 @ A3

Fallzones



Side View



Technical Information	
Main Dimension	6000 x 4120
Total Area	25m ²
Max FHOV	<500
Heaviest Part	--
Compliant to	NZS 5828:2015 AS 4685:2017 EN 1176:2008

REVISION HISTORY			
REV	DESCRIPTION	DATE	BY
0	Creation	6/07/2018	
1	Changed Pole Lengths	1/10/2021	HS