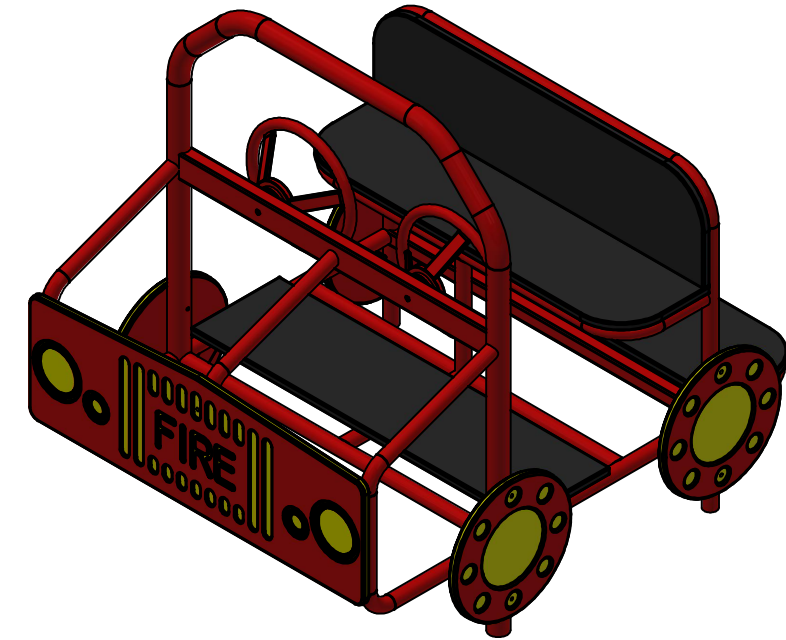
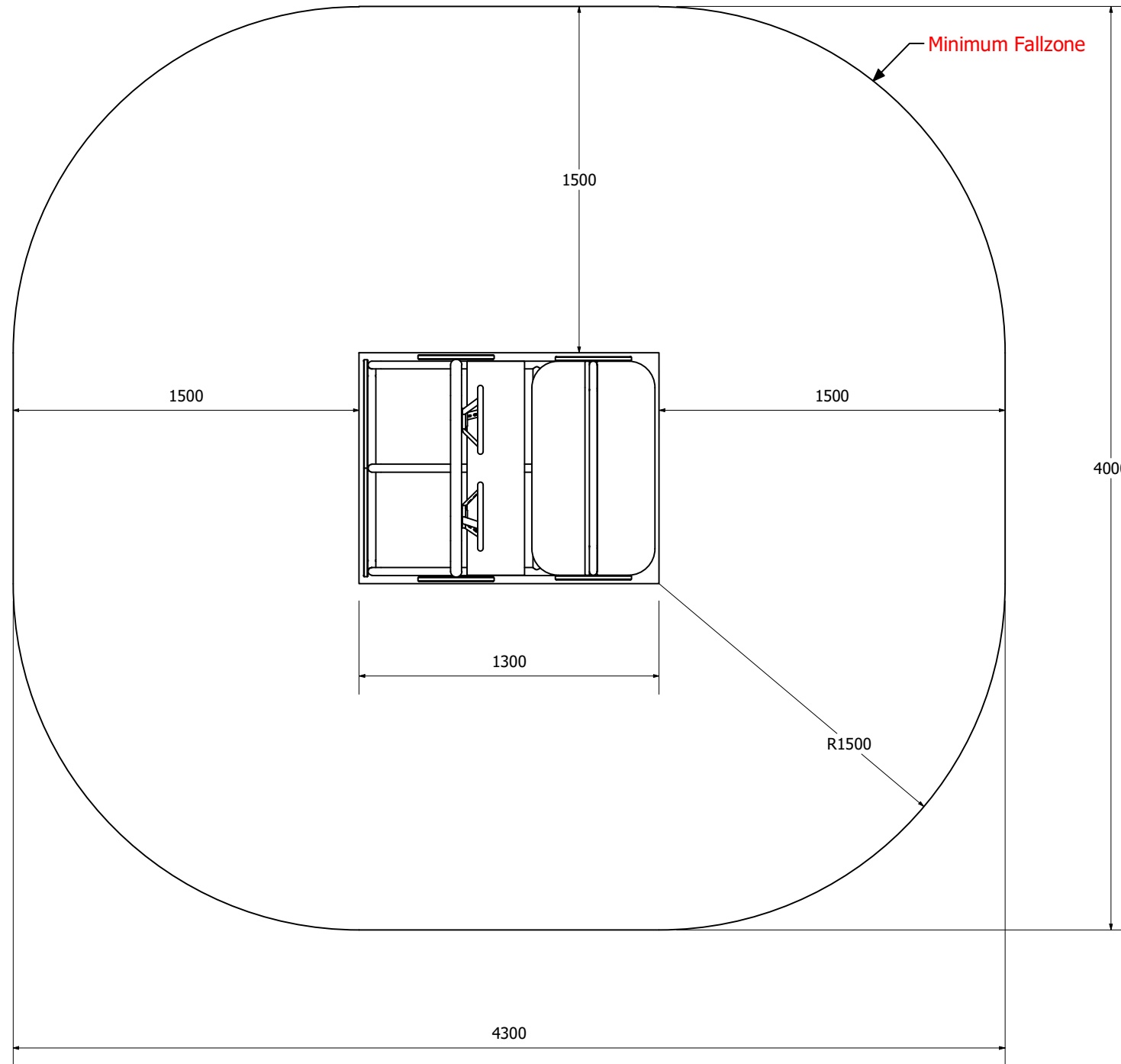
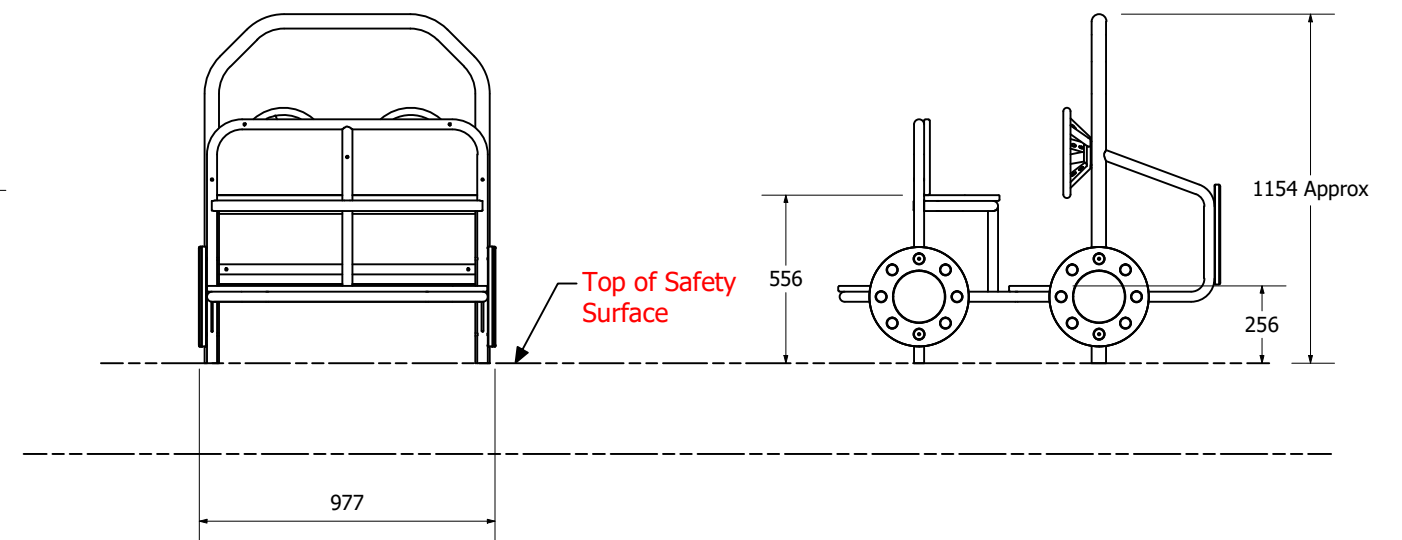


Fire Truck - Free Standing



Front Elevation

Right Elevation



Technical Information	
Main Dimension	4300 x 4000
Total Area	17.2m ²
Max FHO	600mm
Heaviest Part	
Compliant to	NZS 5828:2015 AS 4685:(series) EN 1176:2008