

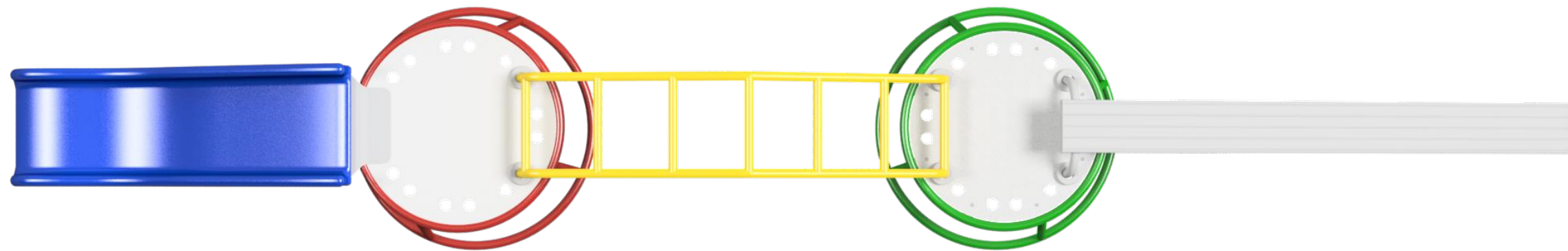
# Bambino Combo G

BOMOCOMG



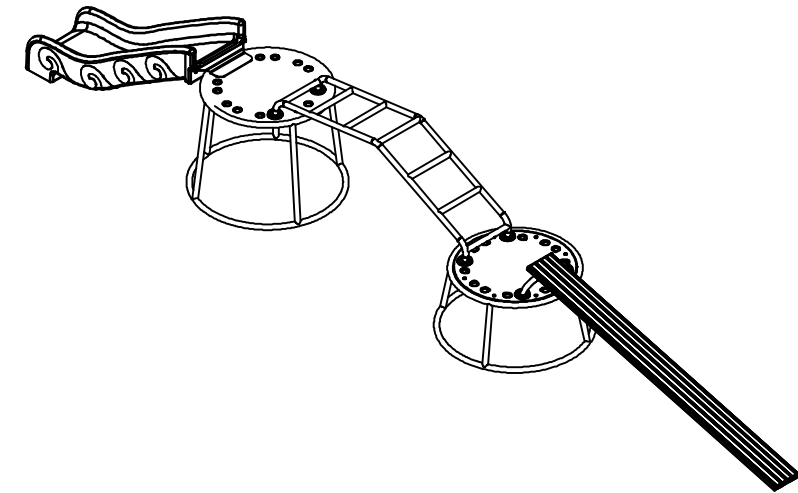
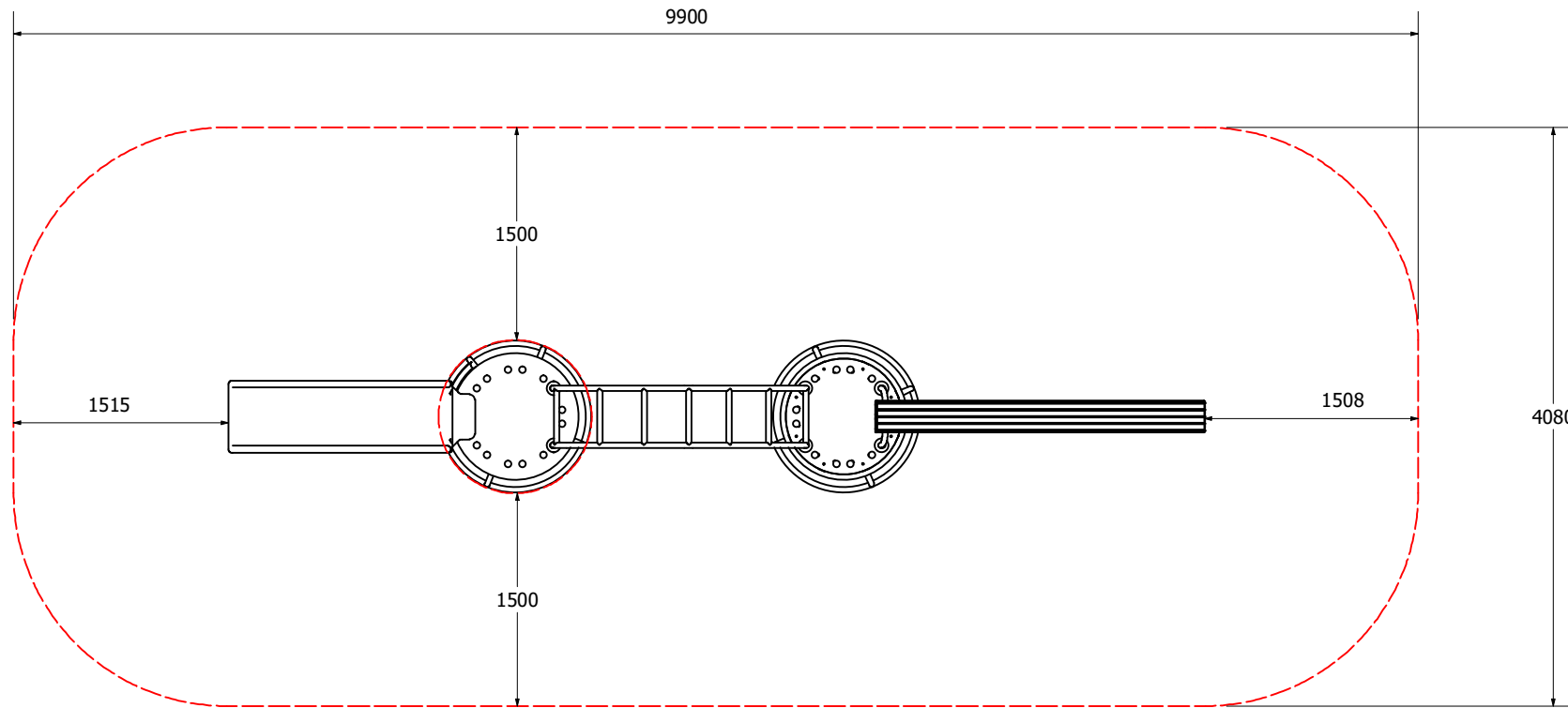
# Bambino Combo G

BOMOCOMG



BOMOCOMG  
1 : 50 @ A3

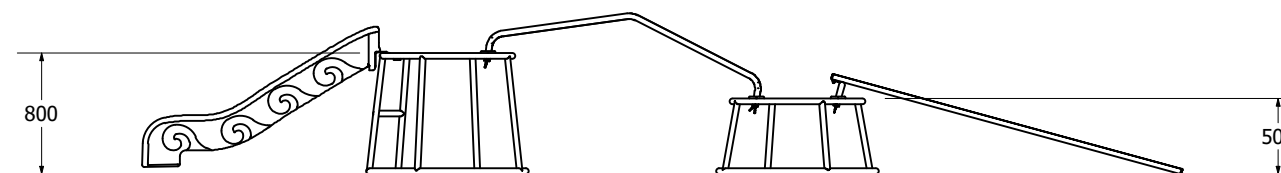
### Fallzones



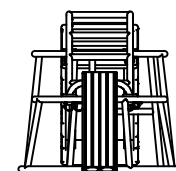
### FALL ZONE

Note: As this equipment is moveable the end user should ensure there is 1500mm clear space from the edge of each piece of equipment. This drawing only shows the fall zone if the equipment is laid out in the same orientation.

### Front Elevation



### Right Elevation



Technical Information	
Main Dimension	9900 mm
Total Area	
Max FHOFF	800 mm
Heaviest Part	
Compliant to	NZS 5828:2015 AS 4685:(series) EN 1176:2008

REVISION HISTORY			
REV	DESCRIPTION	DATE	BY
0	Creation	8/11/2021	