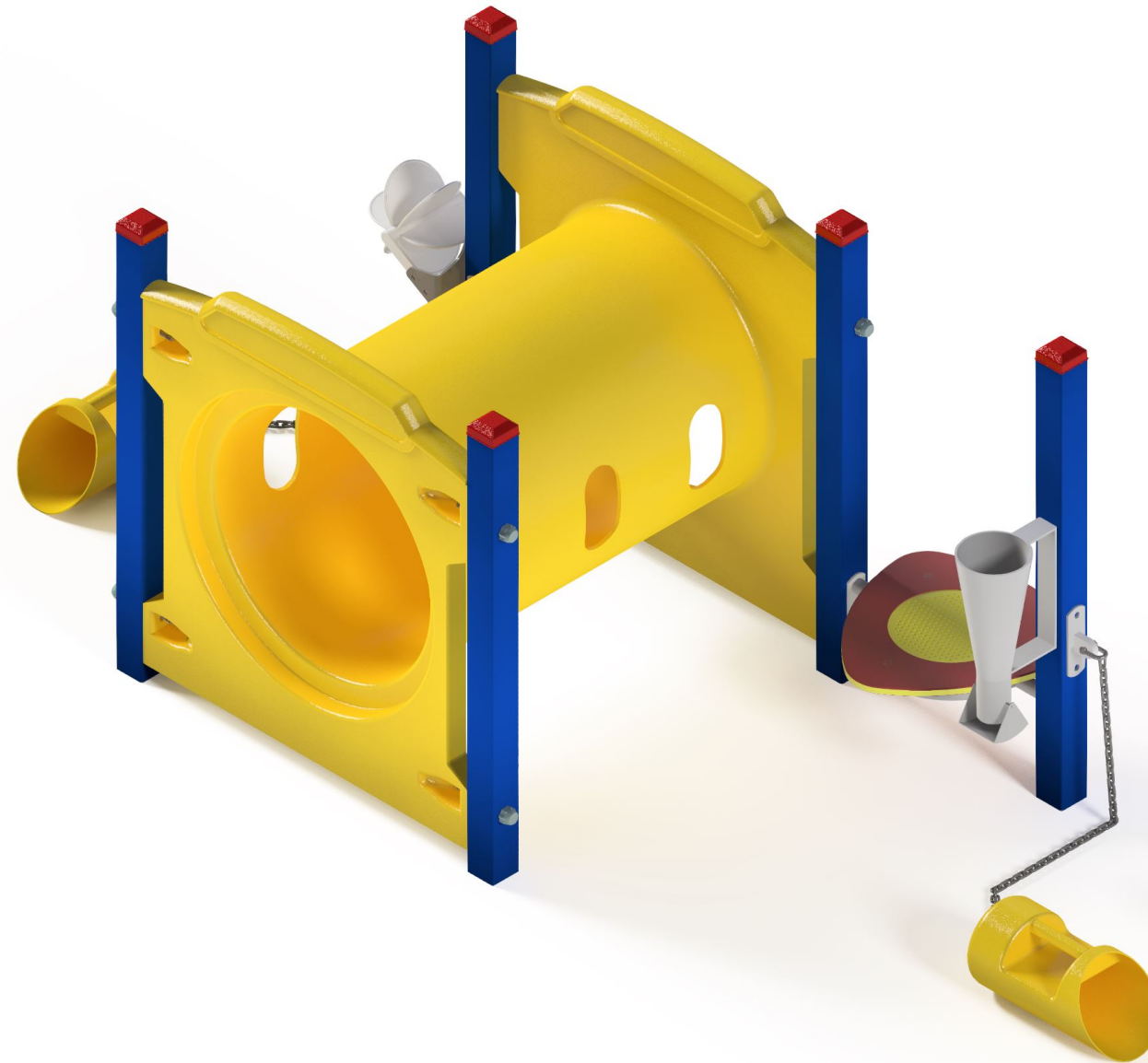
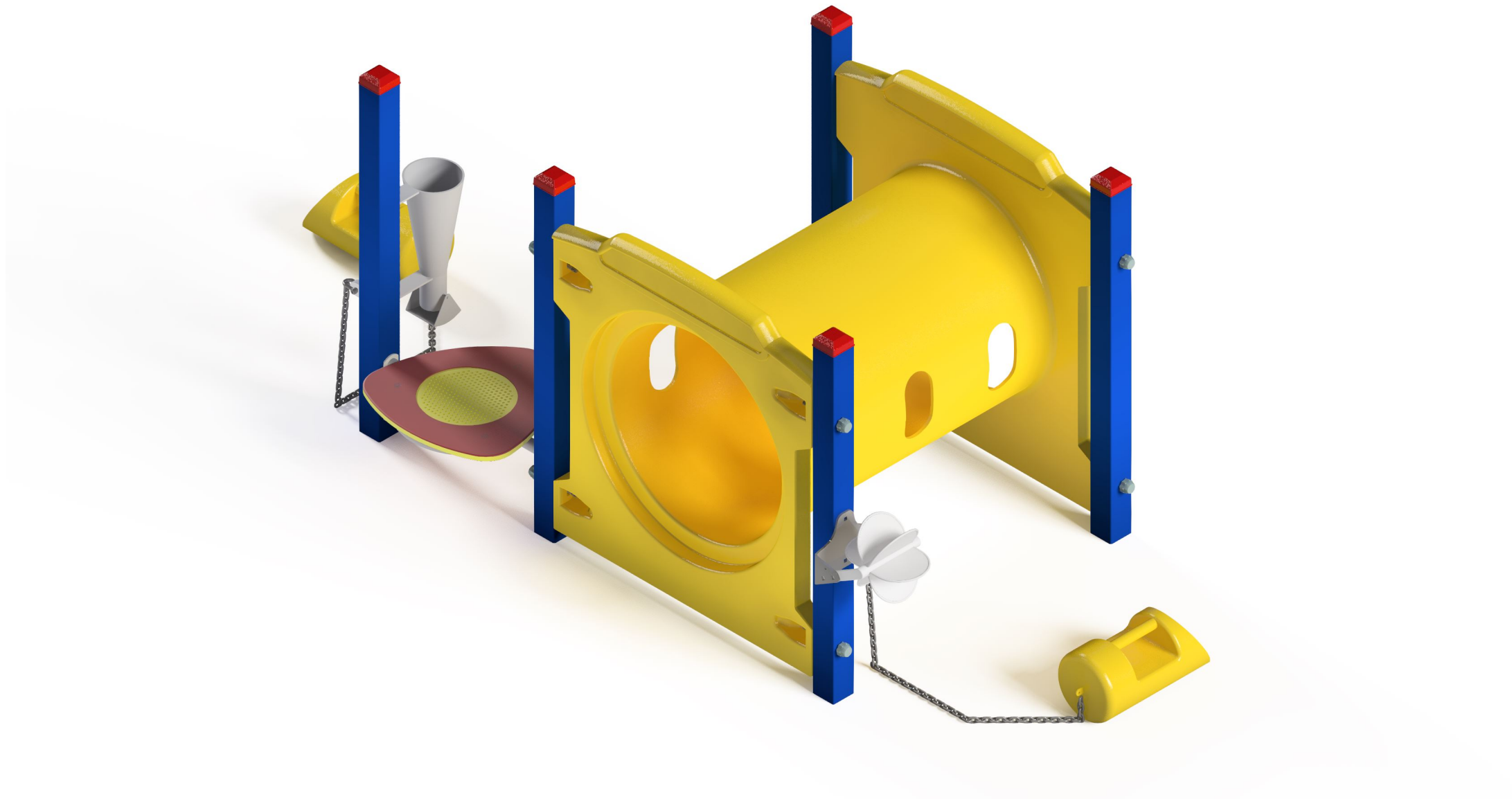


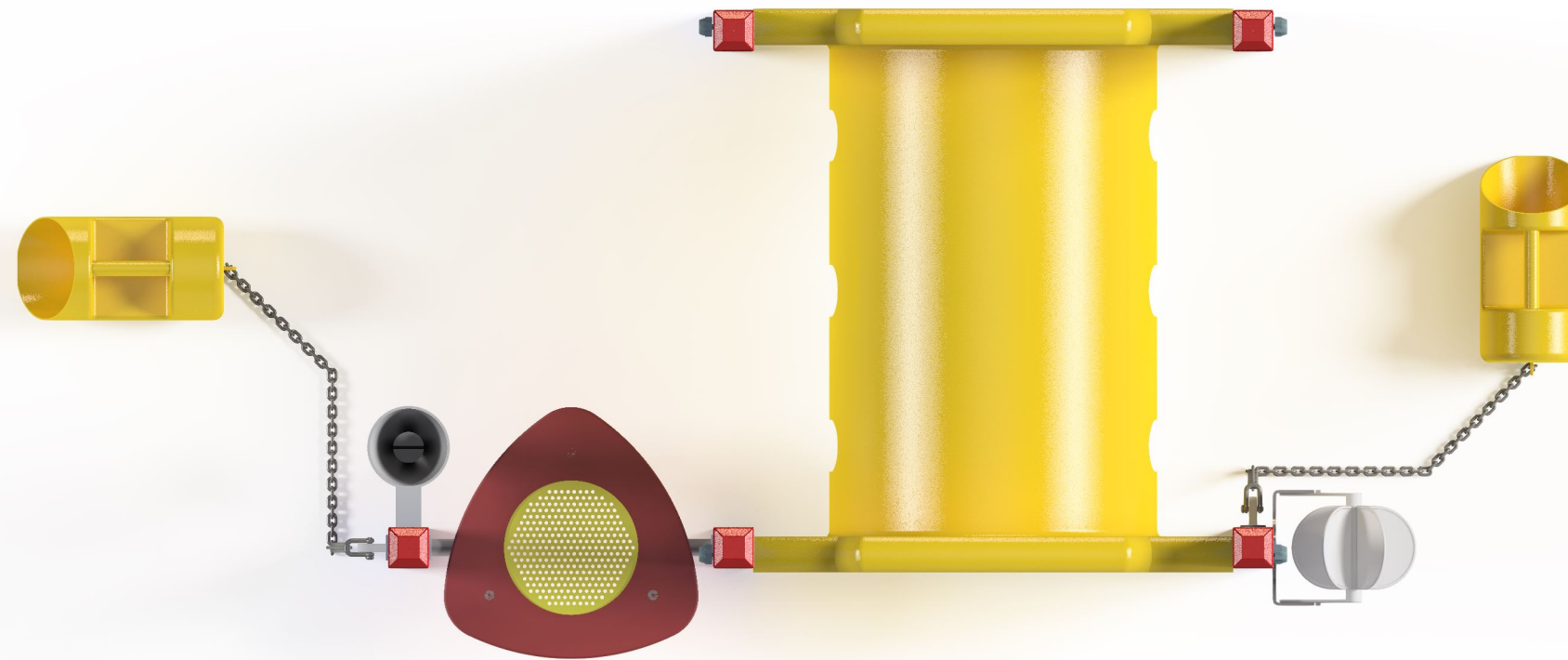
# Sandplay Module 223 - MP



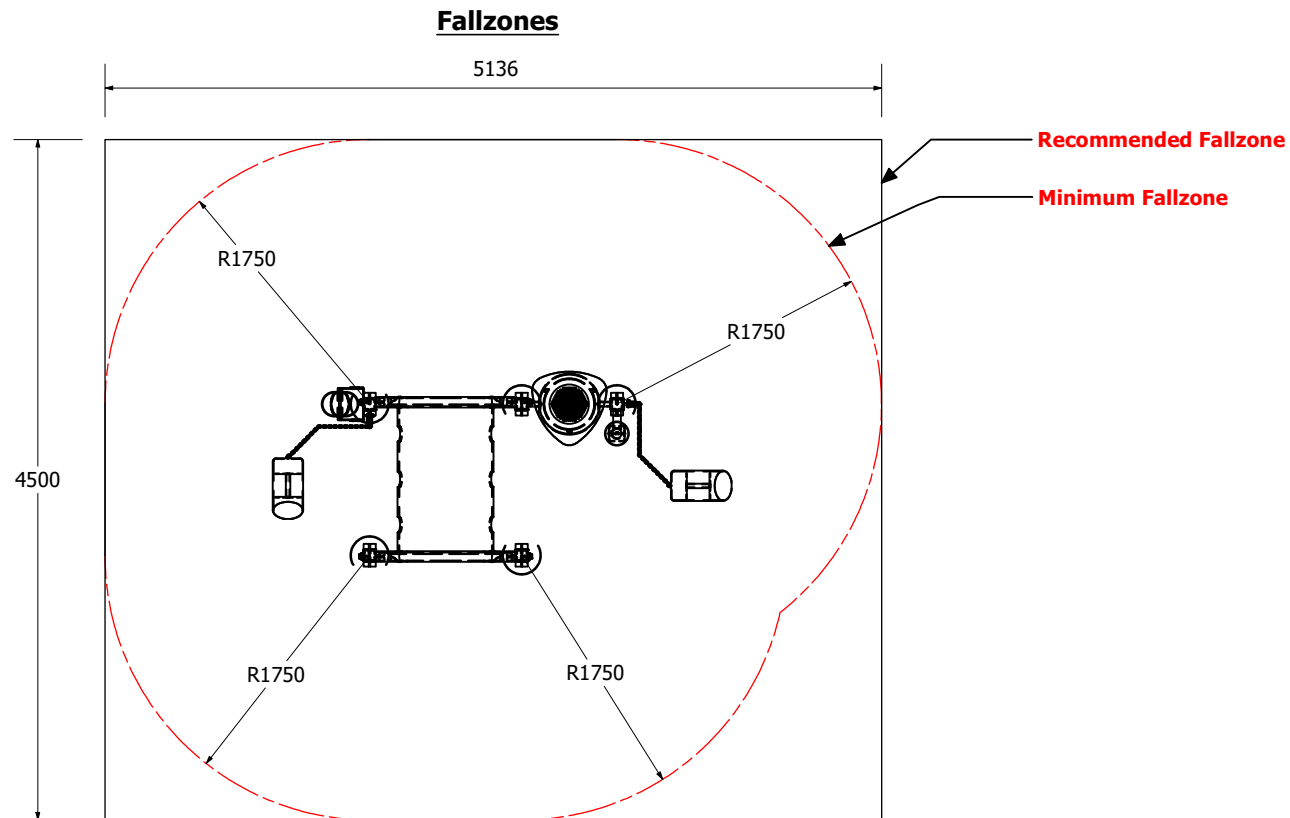
# Sandplay Module 223 - MP



# Sandplay Module 223 - MP



1:50 @ A3



**Front Elevation**

**Right Elevation**



Technical Information	
Main Dimension	5136 x 4500
Total Area	24m <sup>2</sup>
Max FHO	1m
Heaviest Part	32kg
Compliant to	NZS 5828:2015 AS 4685:2017 EN 1176:2008

REVISION HISTORY			
REV	DESCRIPTION	DATE	BY
0	Creation	1/10/2020	