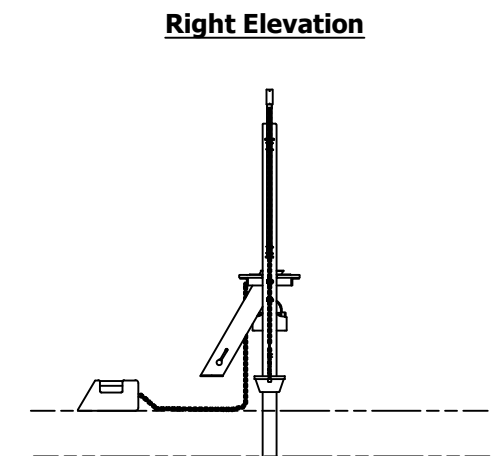
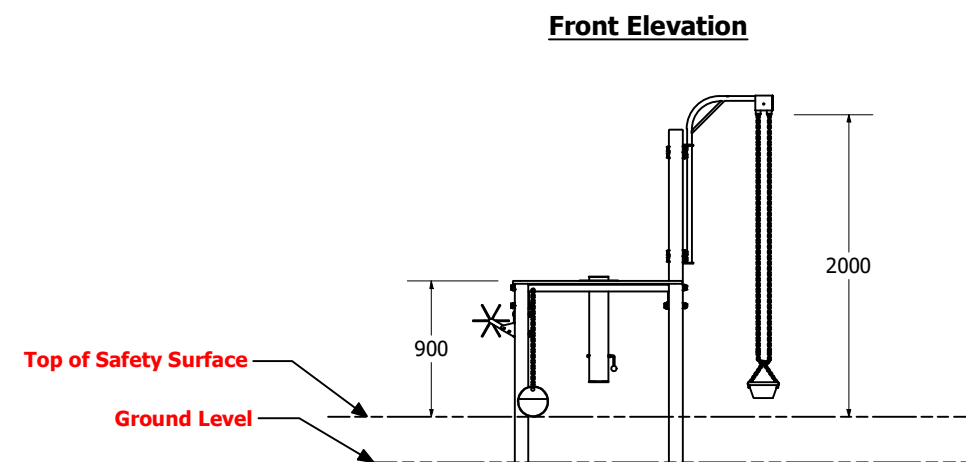
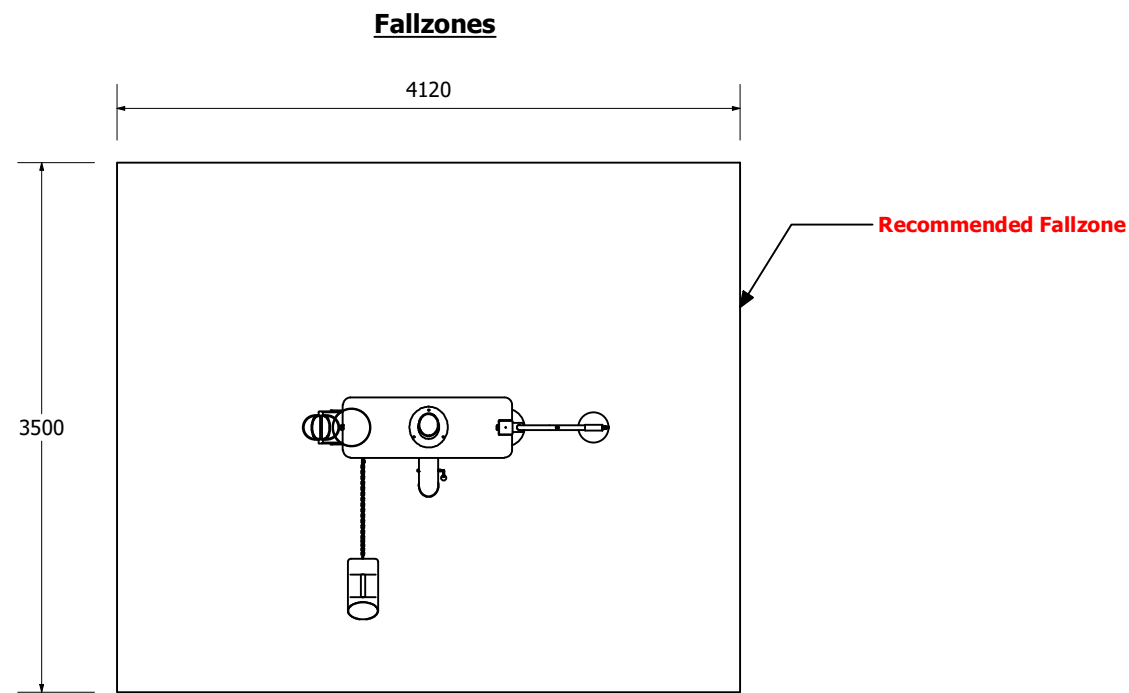


# Sandplay Module 225 - Timberplay



1:50 @ A3



Technical Information	
Main Dimension	3500x4120
Total Area	14.5m <sup>2</sup>
Max FHO	900
Heaviest Part	20kg
Compliant to	NZS 5828:2015 AS 4685:2017 EN 1176:2008