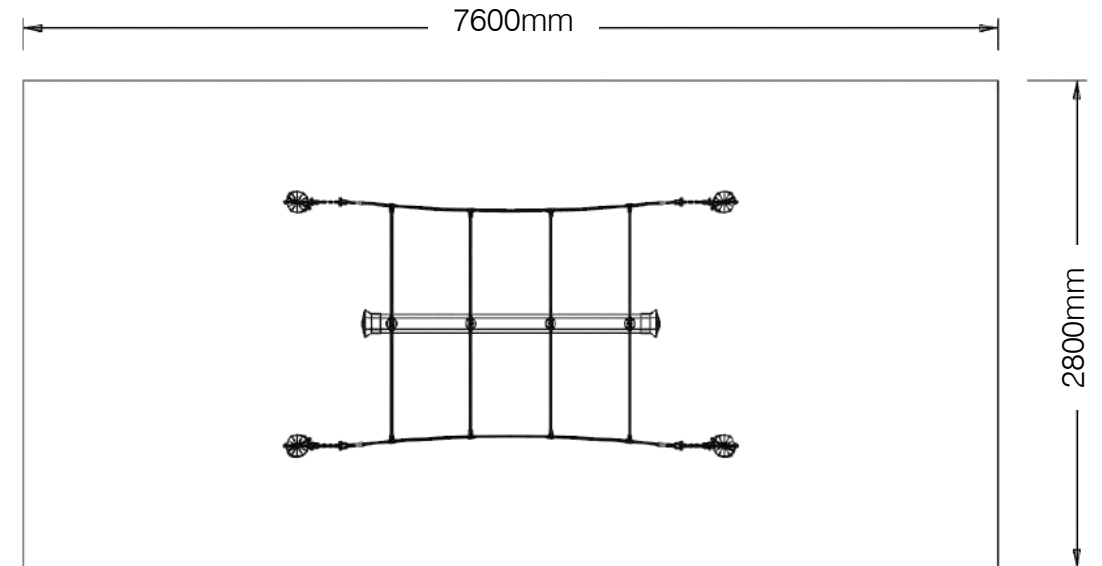


# Gondolar Snake Swing Timber Frame 3-6 Seater Sw1778

SWROGST



Technical Information	
Space Required	2800mm x 7600mm
Total Area	22m <sup>2</sup>
Max FHO	1500mm
Compliant	NZS 5828:2015 AS 4685:2017 EN 1176:2008

Approved: GN