

# TIMBAPLAY SWING - 2 BAY BASKET

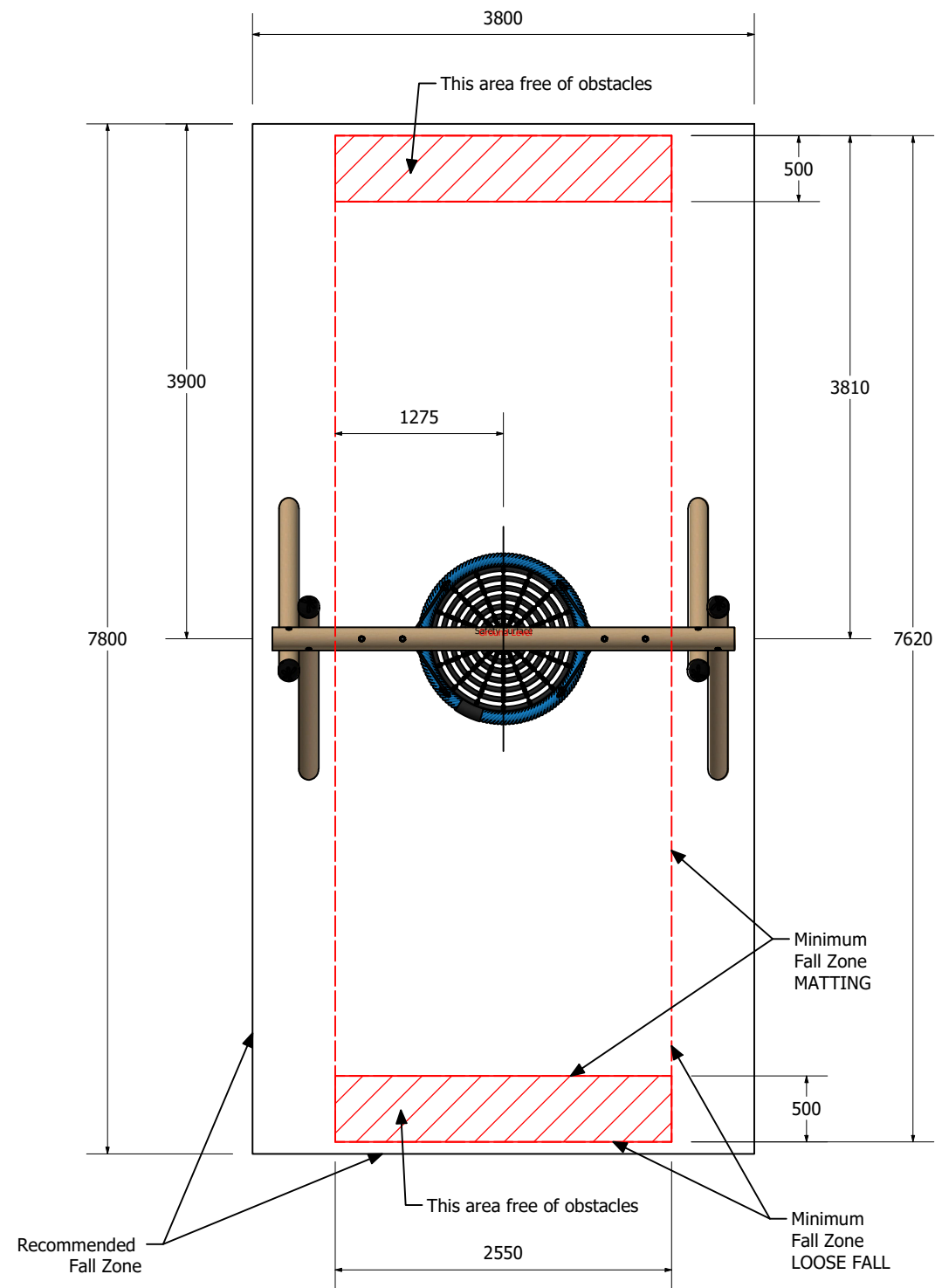
SWTP2B



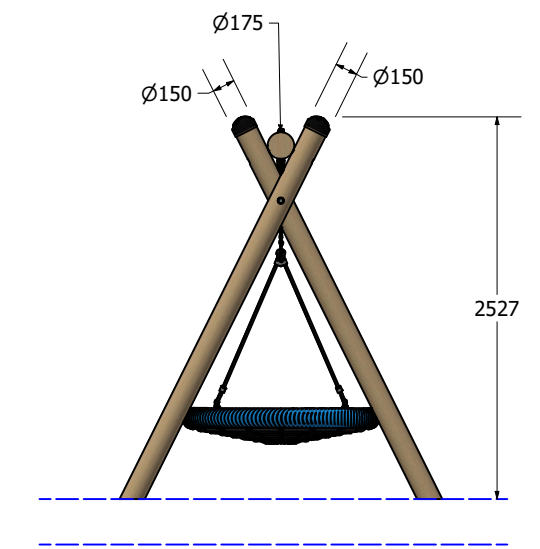
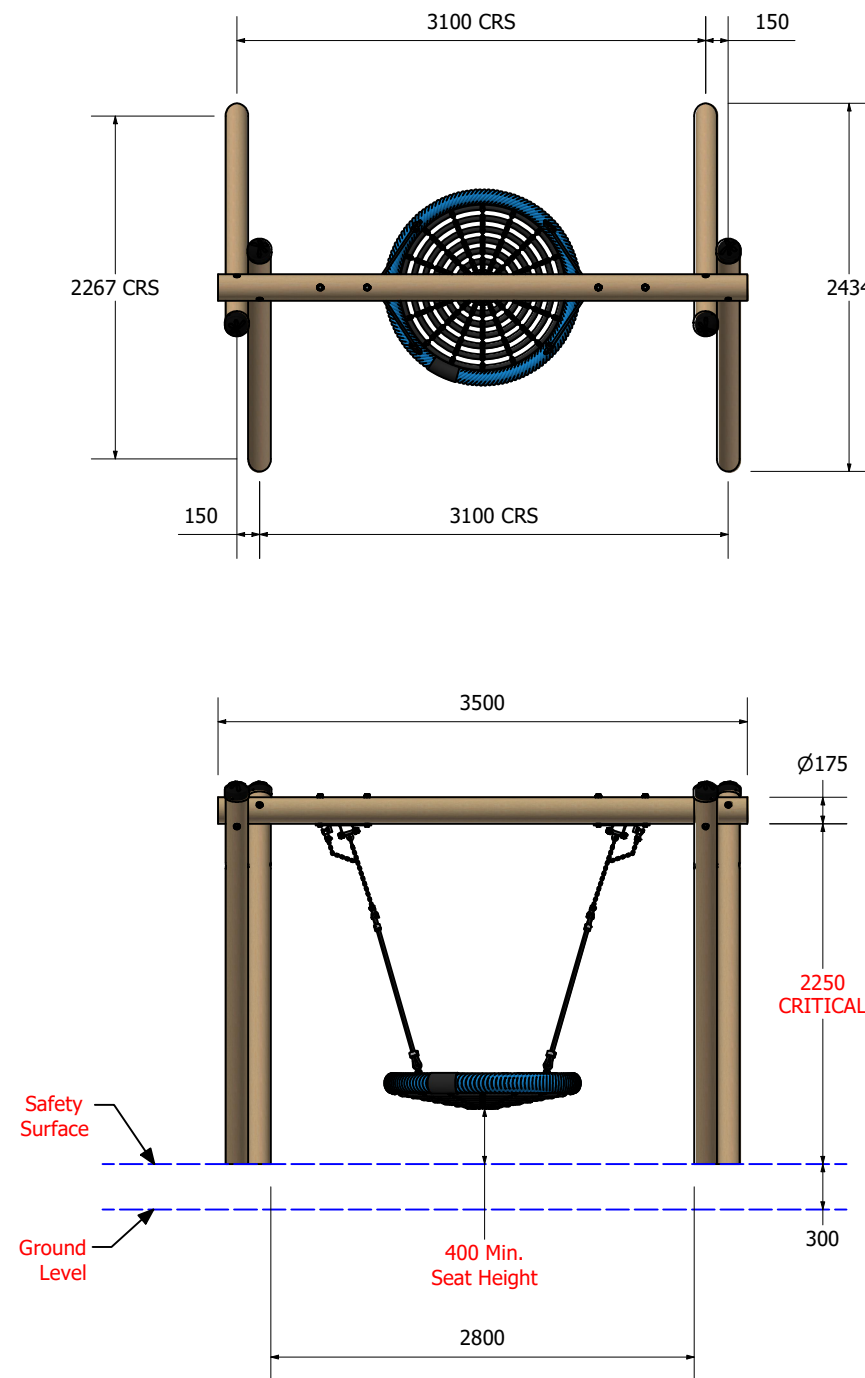
# TIMBAPLAY SWING - 2 BAY BASKET

SWTP2B

## FALLZONE



## DIMENSIONS AT GROUND LEVEL



Technical Information	
Main Dimension	7800 x 3800
Total Area	30 sq/m
Max FHO	1400 mm
Heaviest Part	50 kg
Compliant to	NZS 5828:2015 AS 4685:(series) EN 1176:2008