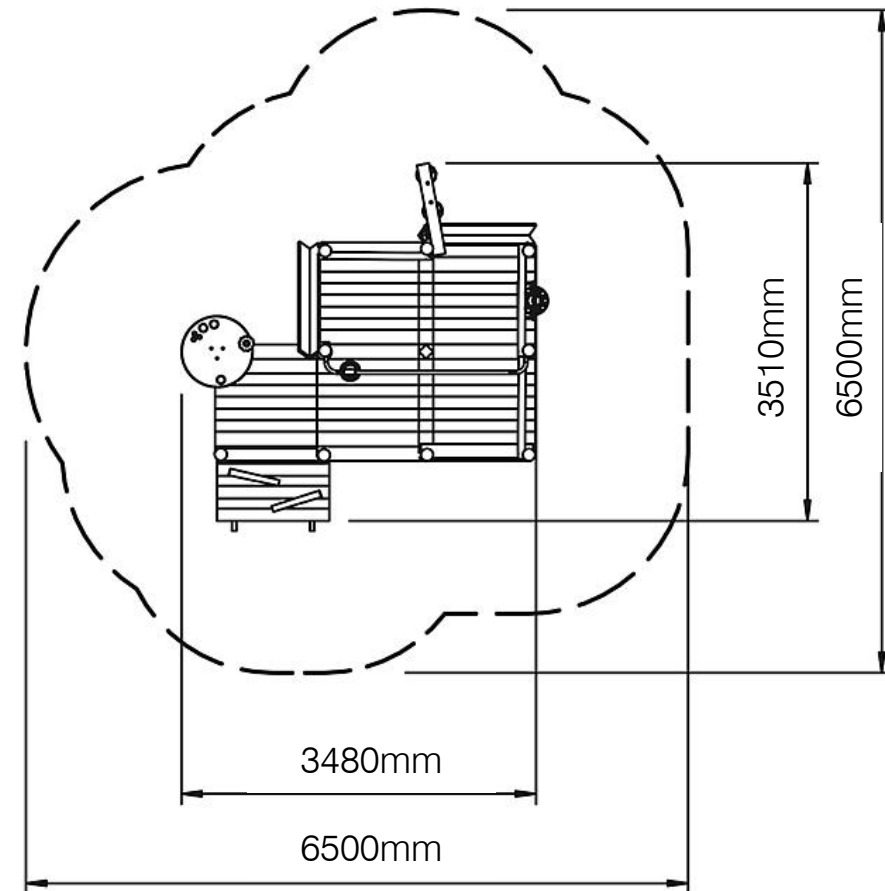
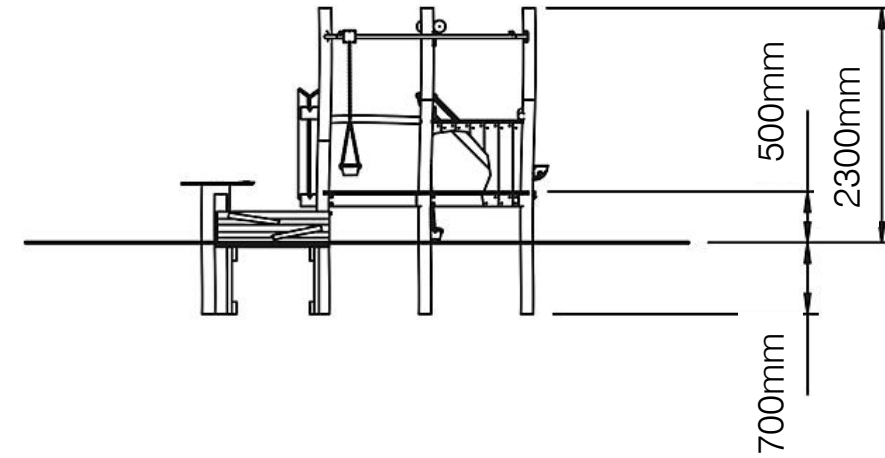


# Wobbly Wood Sandro Sandplay Module 232

WWEISA232



Technical Information	
Space Required	6500mm x 6500mm
Total Area	35m <sup>2</sup>
Max FHO	590mm
Compliant	NZS 5828:2015 AS 4685:2017 EN 1176:2008

Approved: GN