

Wobbly Wood 2 Bay Swing - 2 x VR

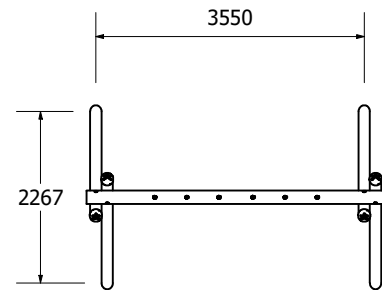


Wobbly Wood 2 Bay Swing - 2 x VR

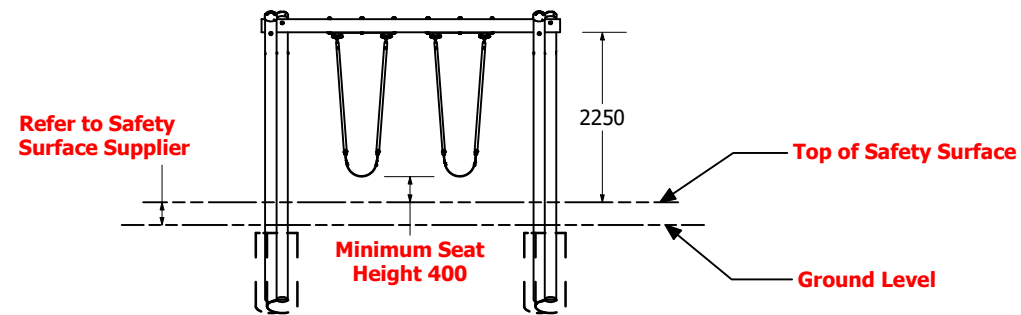
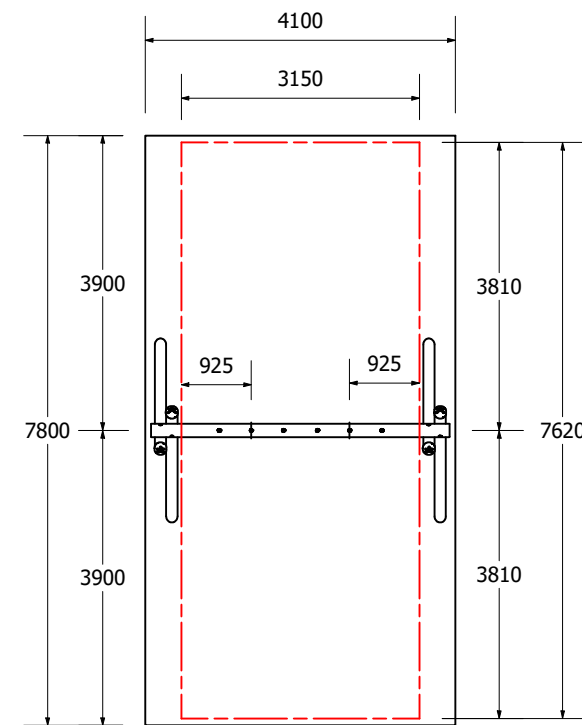
Fallzone for loose fill application

1:100 @ A3

DIMENSIONS AT GROUND LEVEL



FALLZONE



Technical Information	
Legend - 2 Bay Timbaplay Swing 2200	
	Suggested Fall Zone
	Minimum Fall Zone As Per AS4685:2014/ NZS5828:2015
	Flush With Safety Surface/ No Obstacles
Free Height Of Fall : 1300mm	
NOTE MINIMUM FALL ZONES CALCULATED OFF MINIMUM SEAT HEIGHT	
Heaviest Part	120 kg

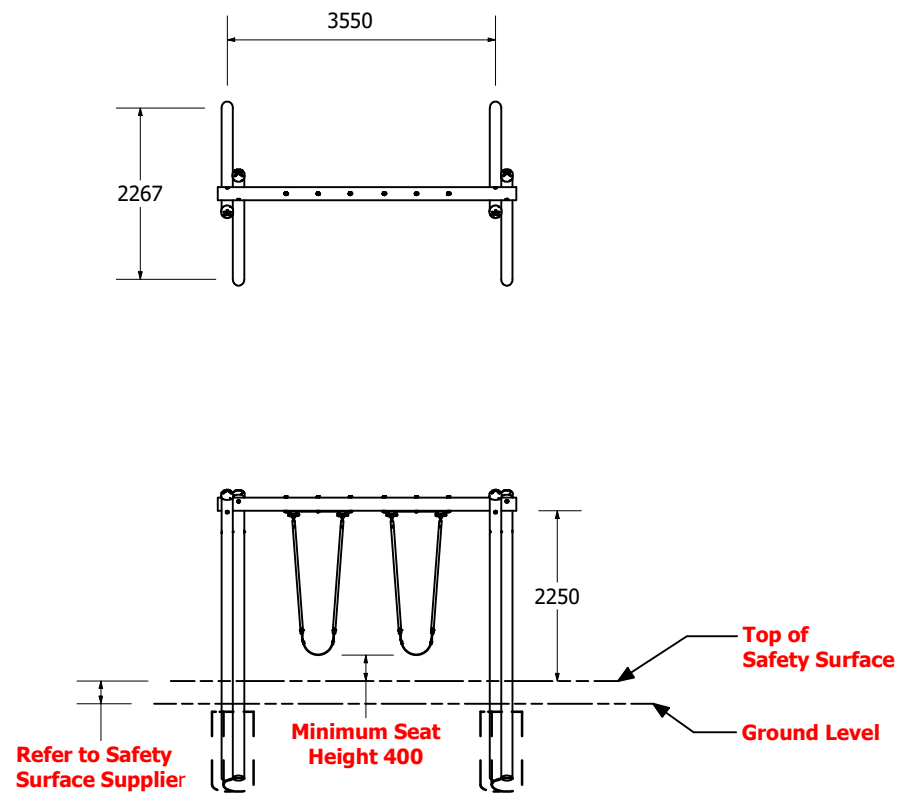
REVISION HISTORY			
REV	DESCRIPTION	DATE	BY
0	Creation	4/07/2019	

Wobbly Wood 2 Bay Swing - 2 x VR

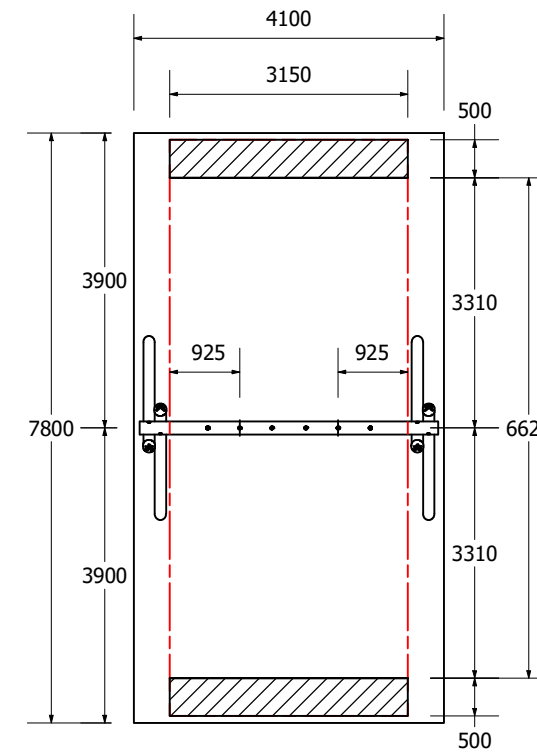
Fallzone for synthetic surface applications

1:100 @ A3

DIMENSIONS AT GROUND LEVEL



FALLZONE



Technical Information	
Legend - 2 Bay Timbaplay Swing 2200	
	Suggested Fall Zone
	Minimum Fall Zone As Per AS4685:2014/ NZS5828:2015
	Flush With Safety Surface/ No Obstacles
Free Height Of Fall : 1300mm	
NOTE MINIMUM FALL ZONES CALCULATED OFF MINIMUM SEAT HEIGHT	
Heaviest Part	120 kg