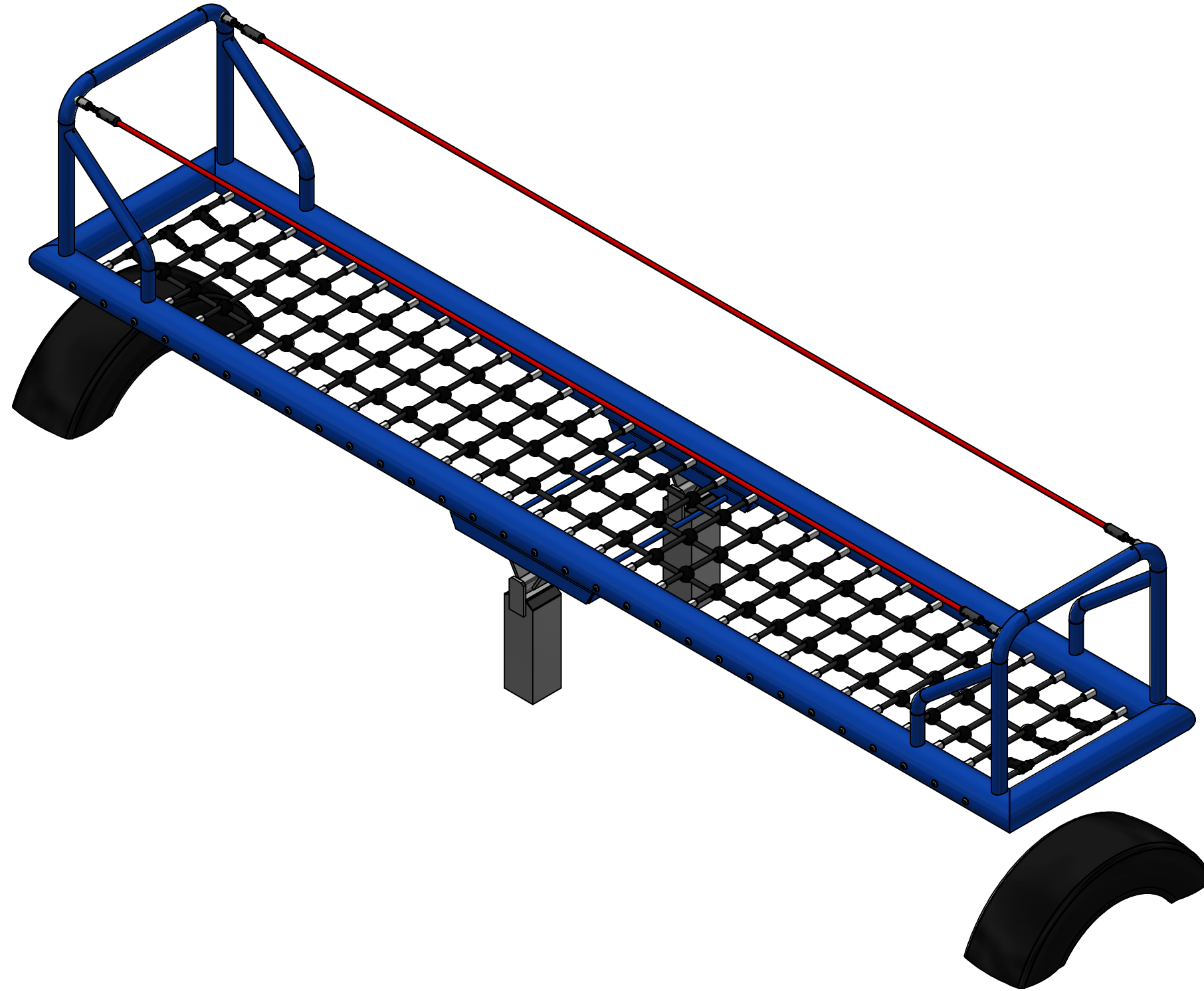
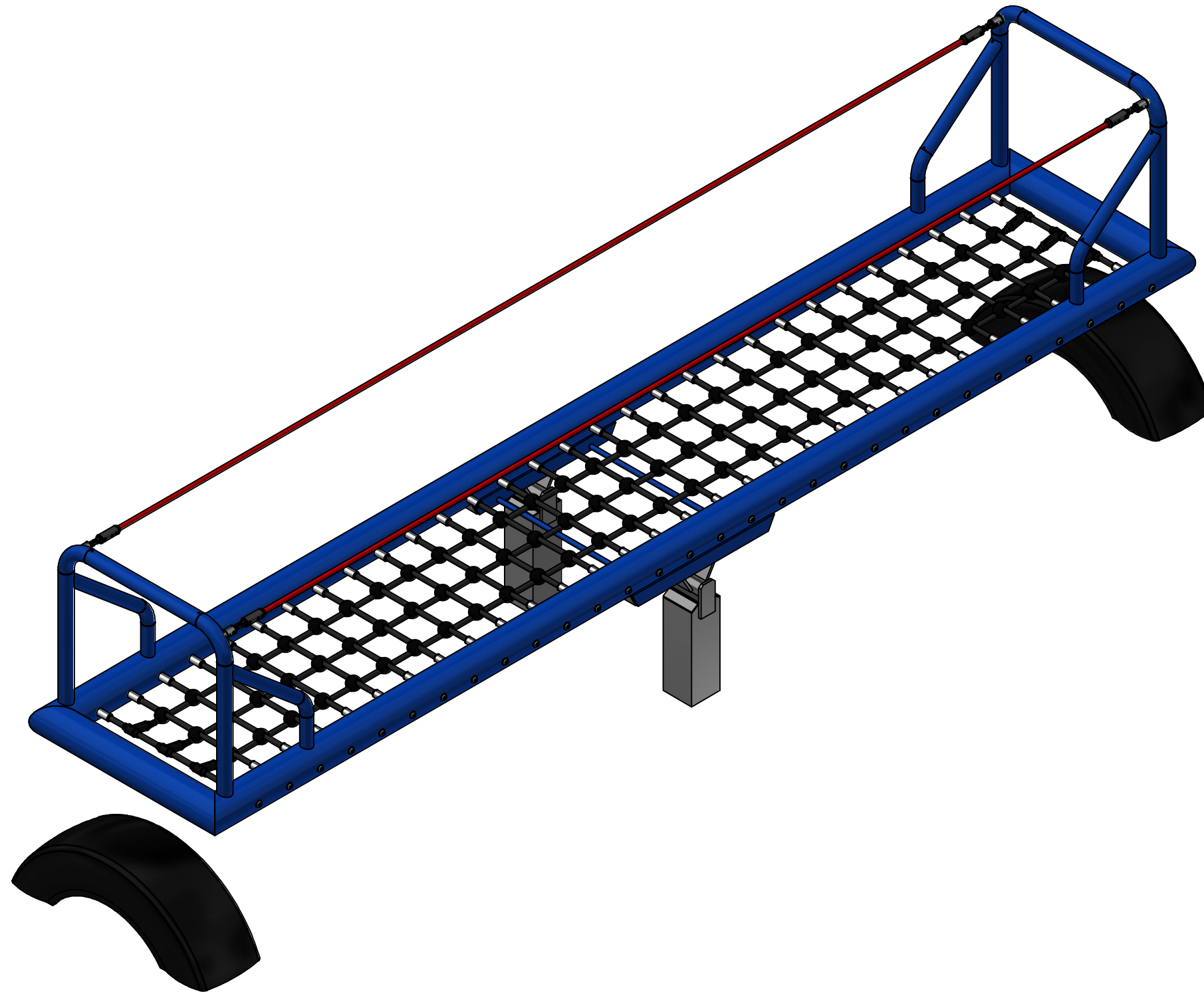


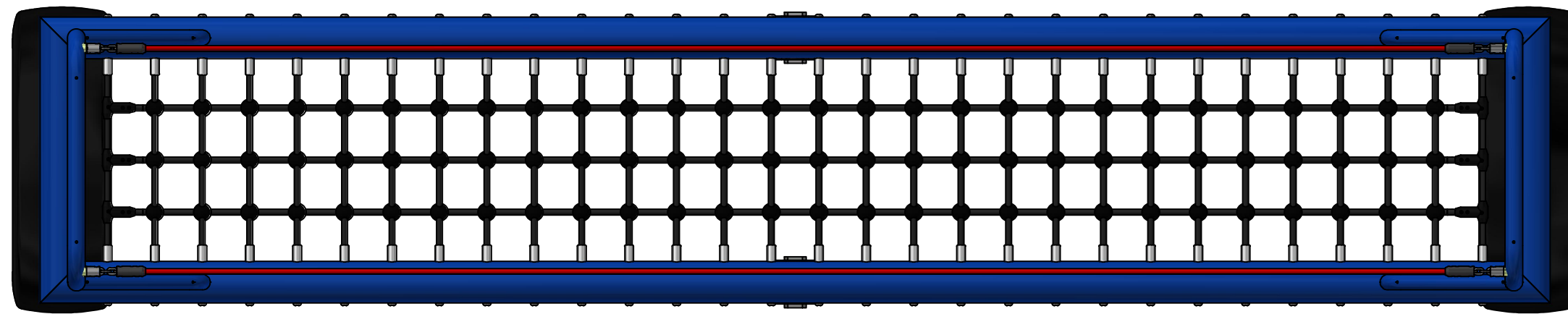
Net See Saw - Metal



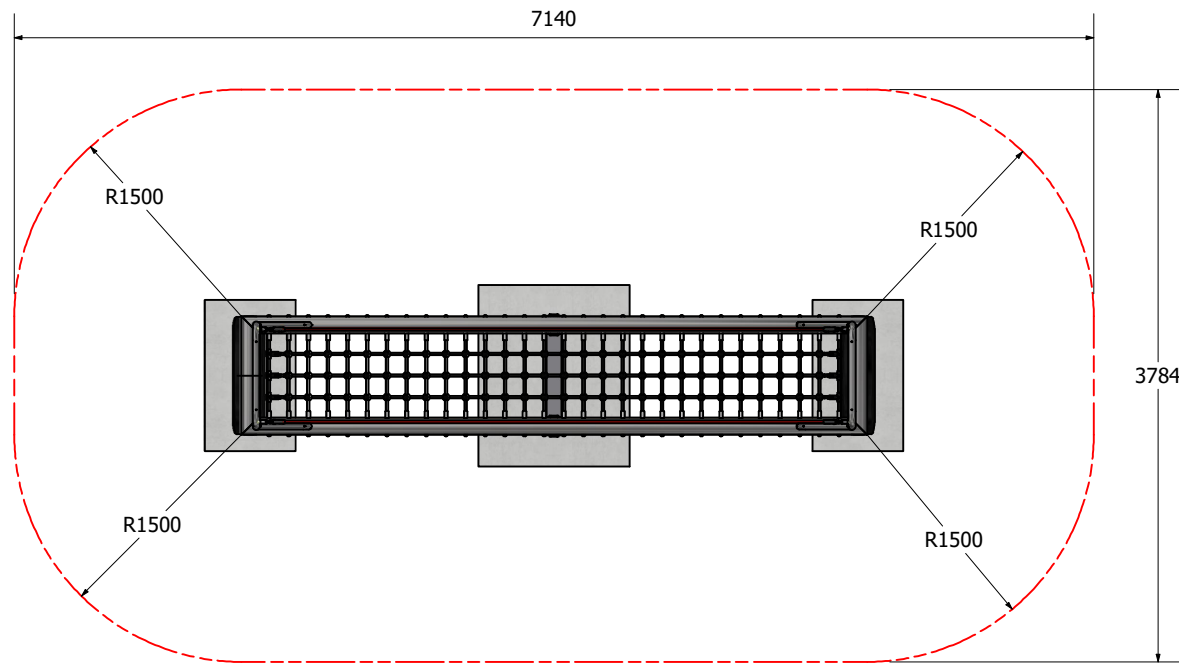
Net See Saw - Metal



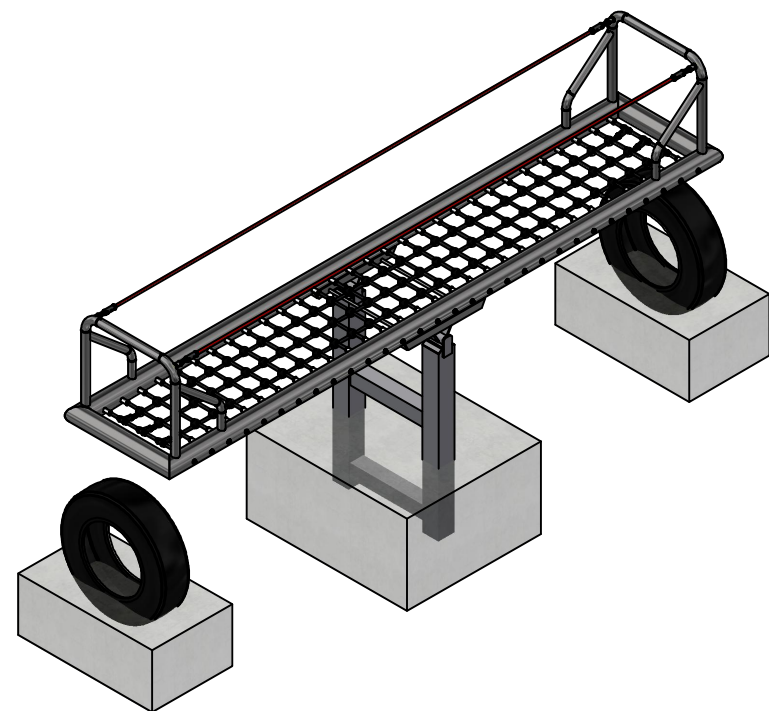
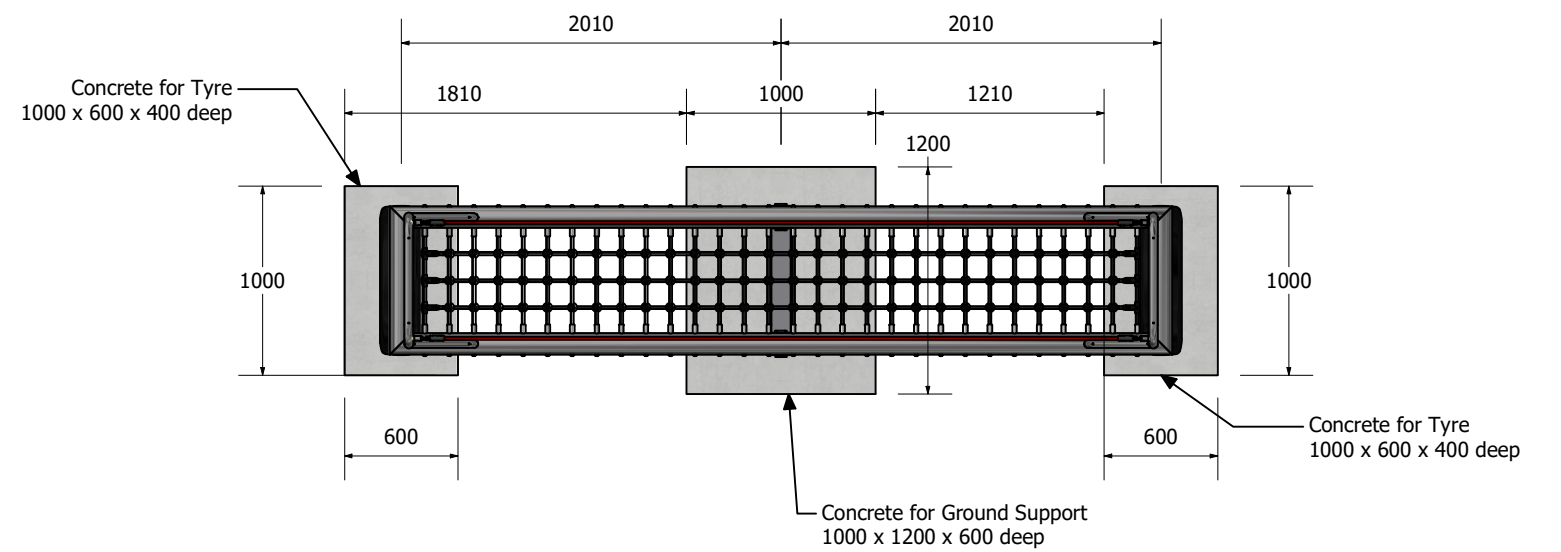
Net See Saw - Metal



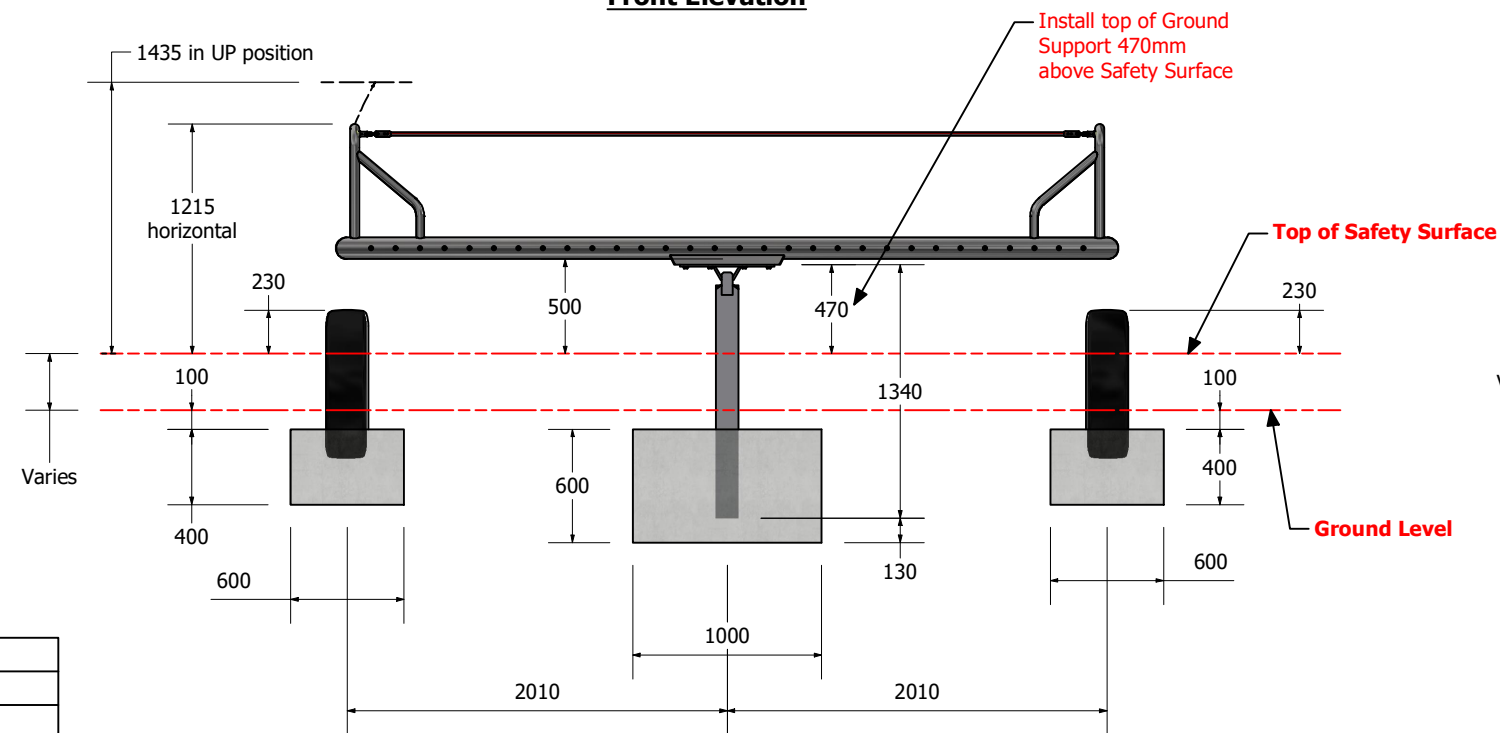
Fallzones



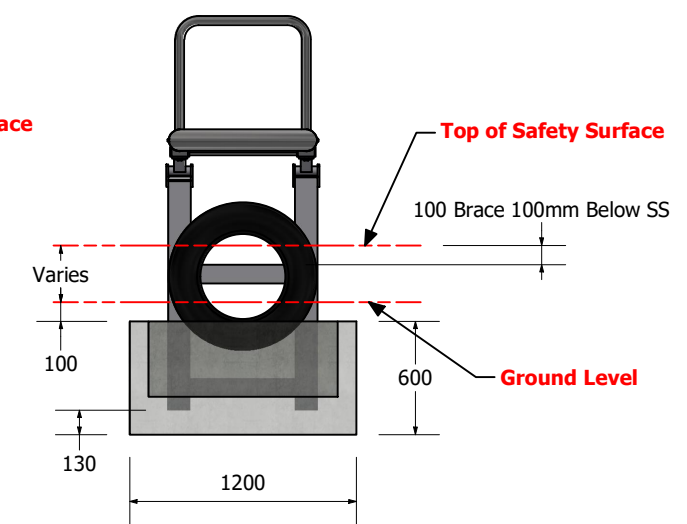
Pole Dimensions



Front Elevation



Right Elevation



Technical Information	
Main Dimension	7140 x 3784
Total Area	27 sqm
Max FHOF	0.9 m
Heaviest Part	200kg
Compliant to	NZS 5828:2015 AS 4685:(series) EN 1176:2017