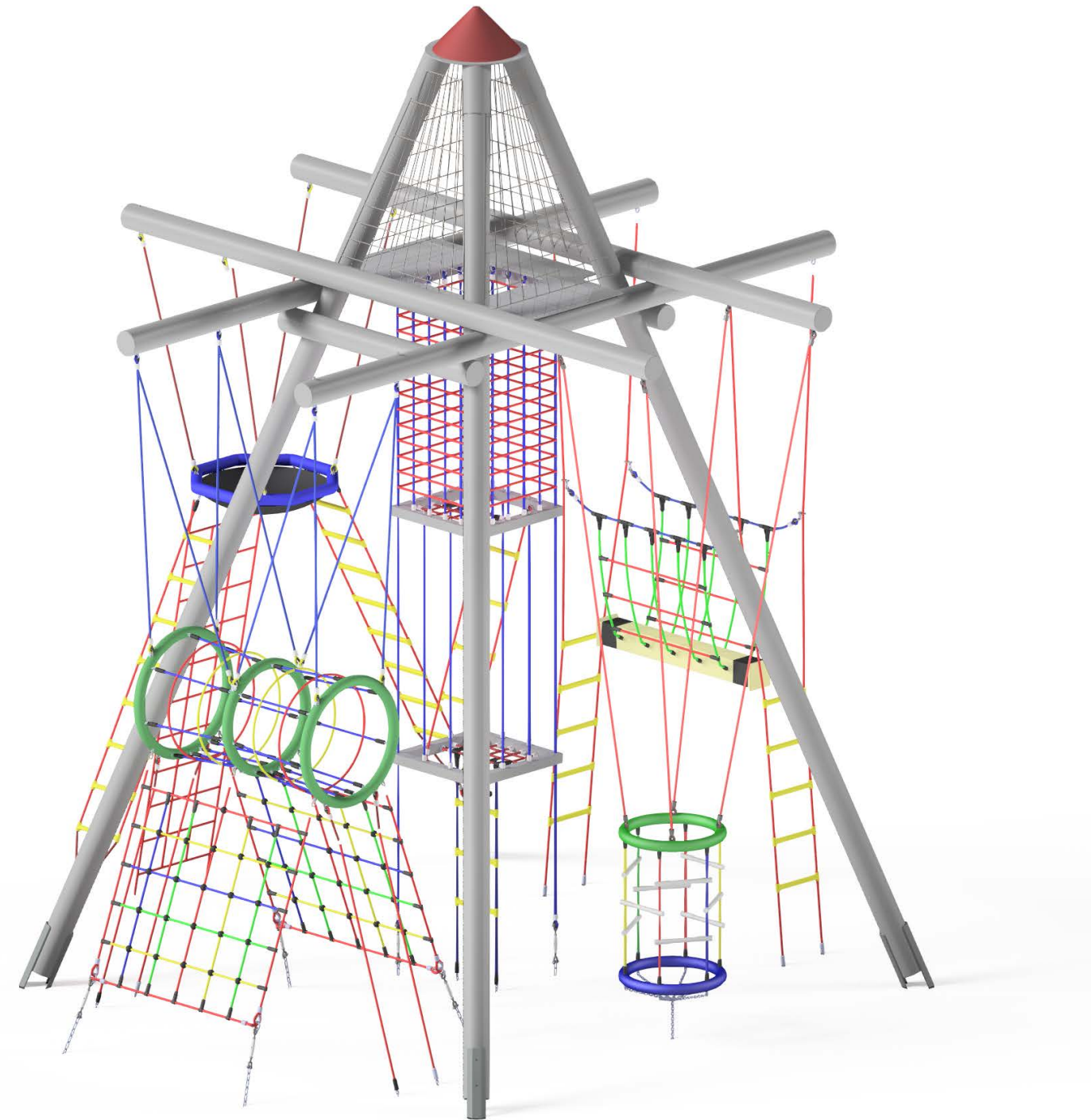
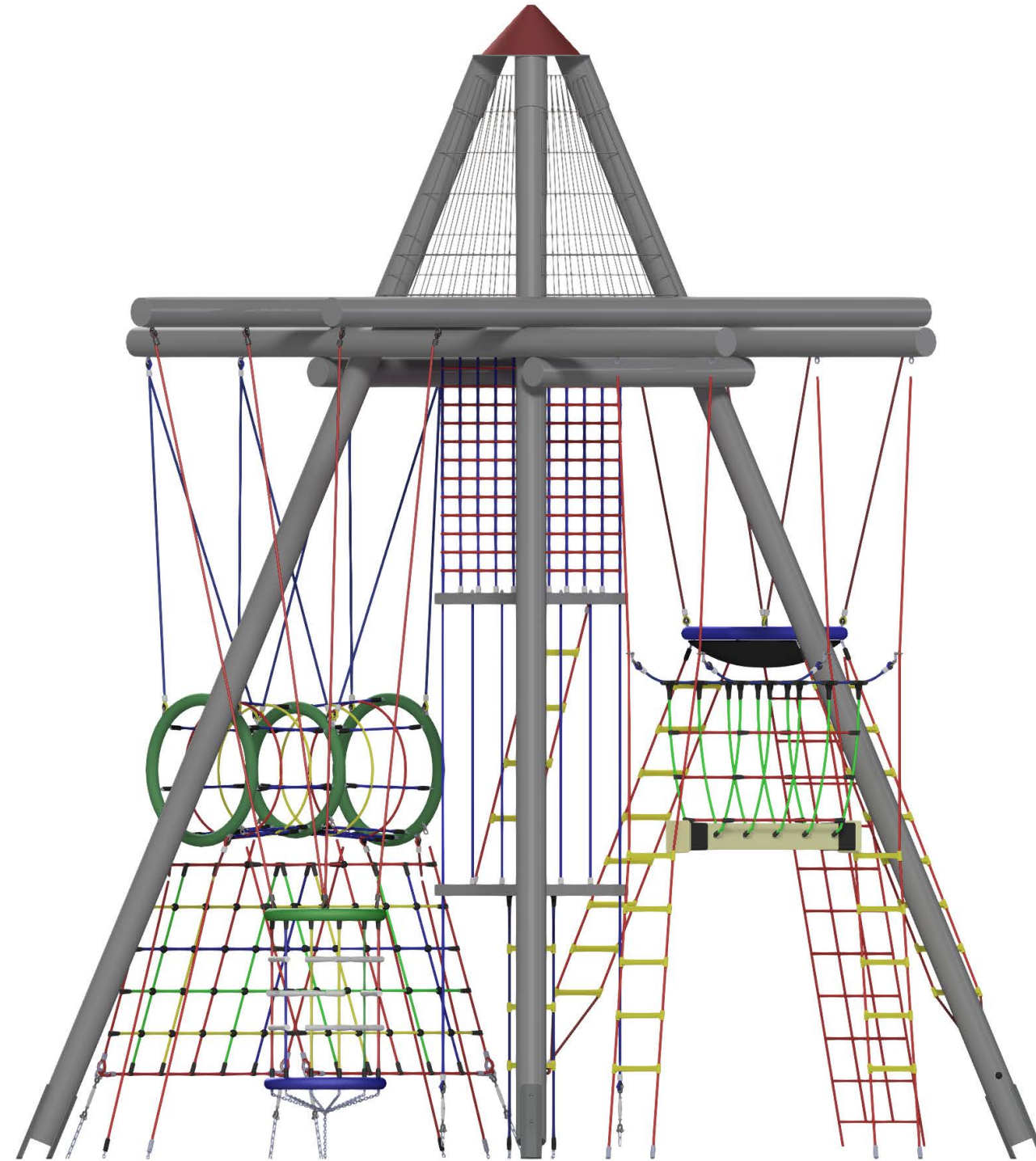
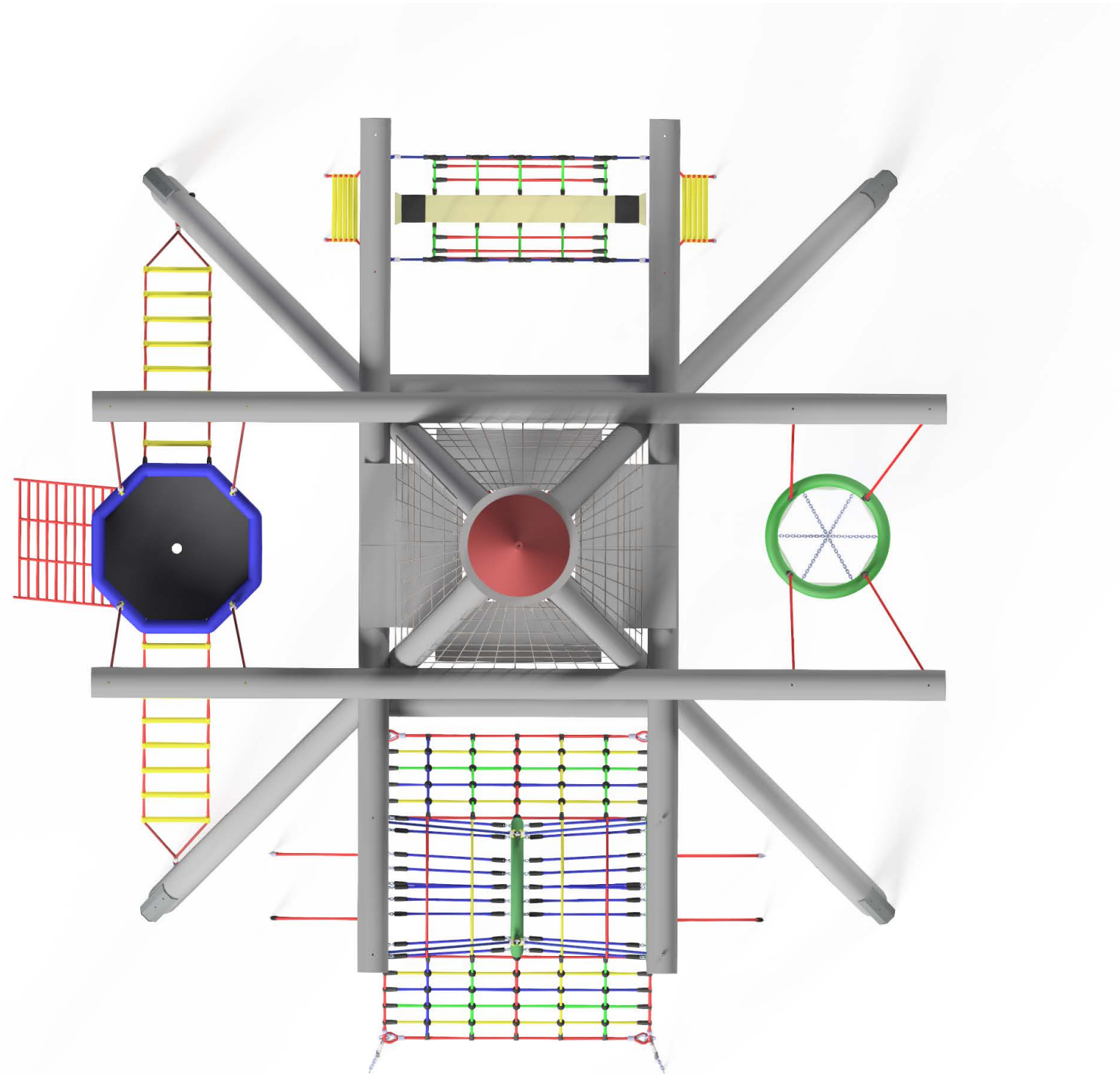


Black Forest



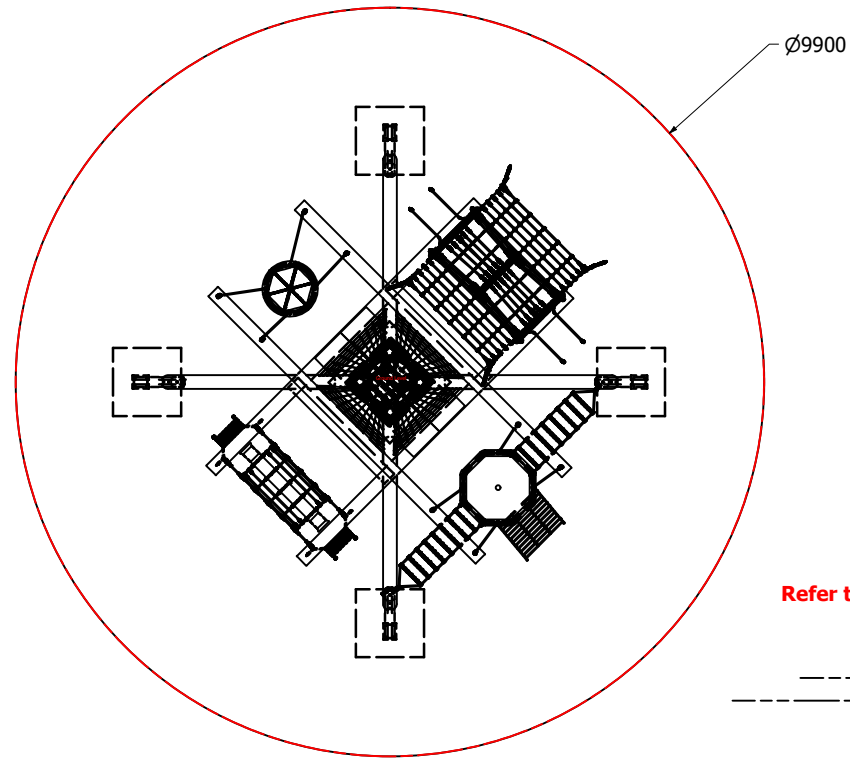
Black Forest



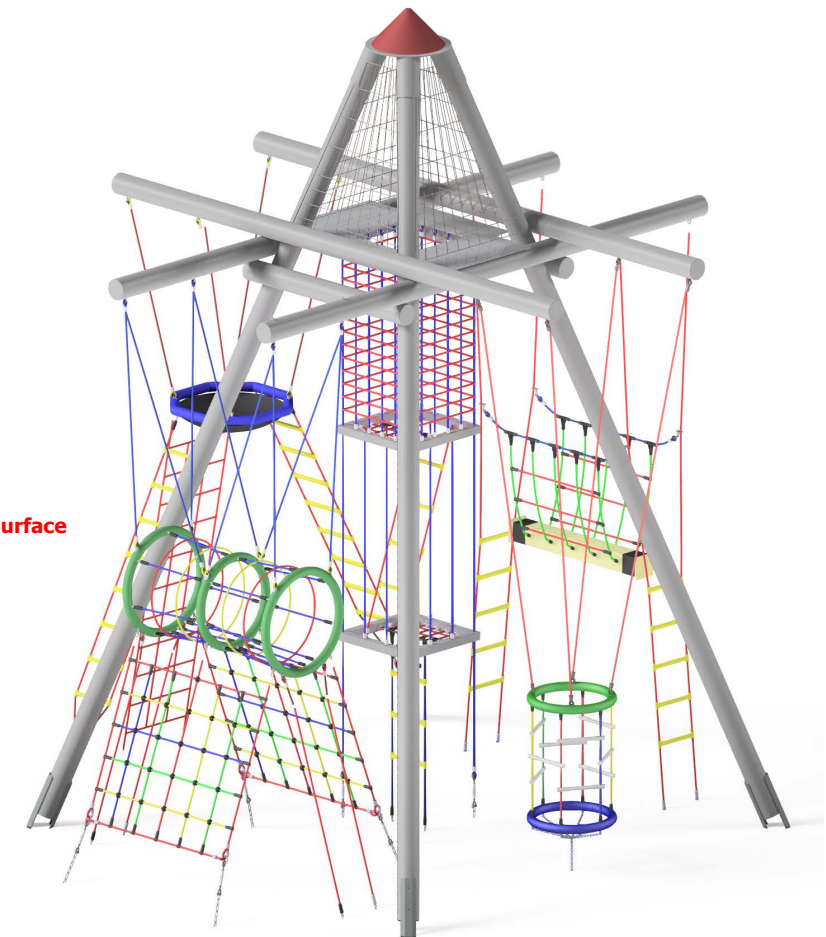
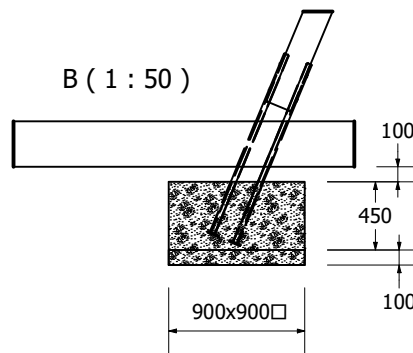
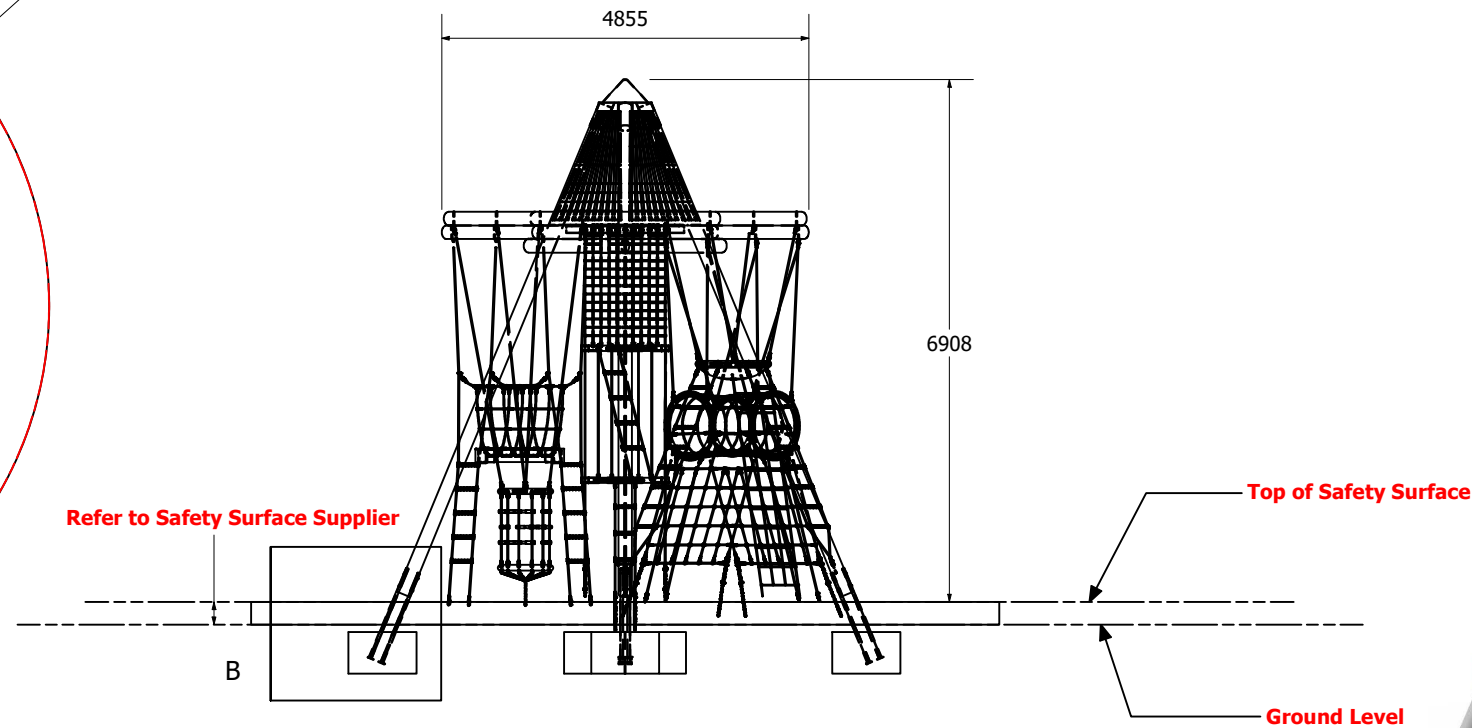


1:100 @ A3

Fallzones



Front Elevation



Technical Information	
Main Dimension	9900
Total Area	77m ²
Max FHO	3000
Heaviest Part	Crane required for lifting
Compliant to	NZS 5828:2015 AS 4685:2017 EN 1176:2008

REVISION HISTORY			
REV	DESCRIPTION	DATE	BY
1	Creation	23/01/2020	Sam