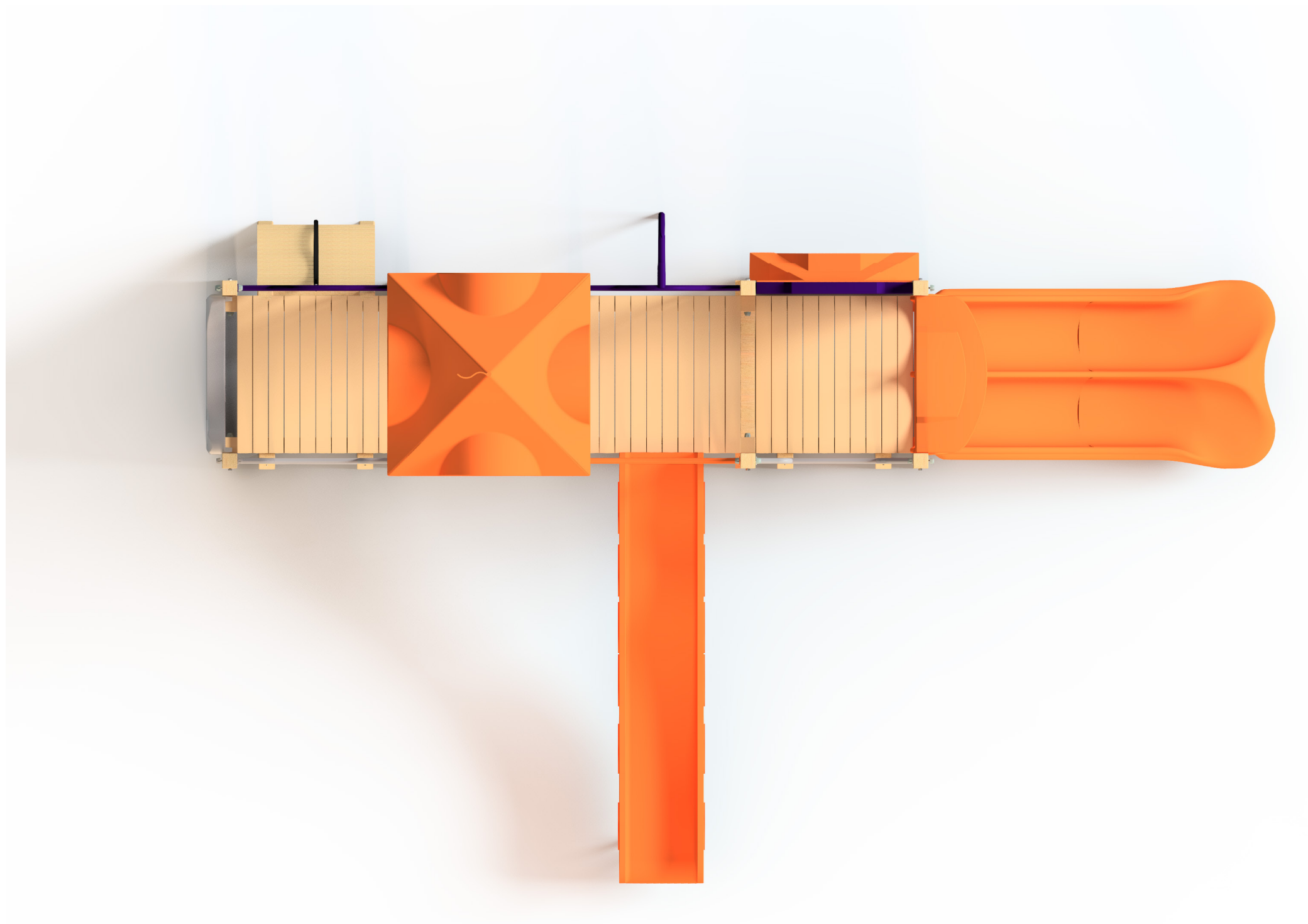


# TR327

Front view

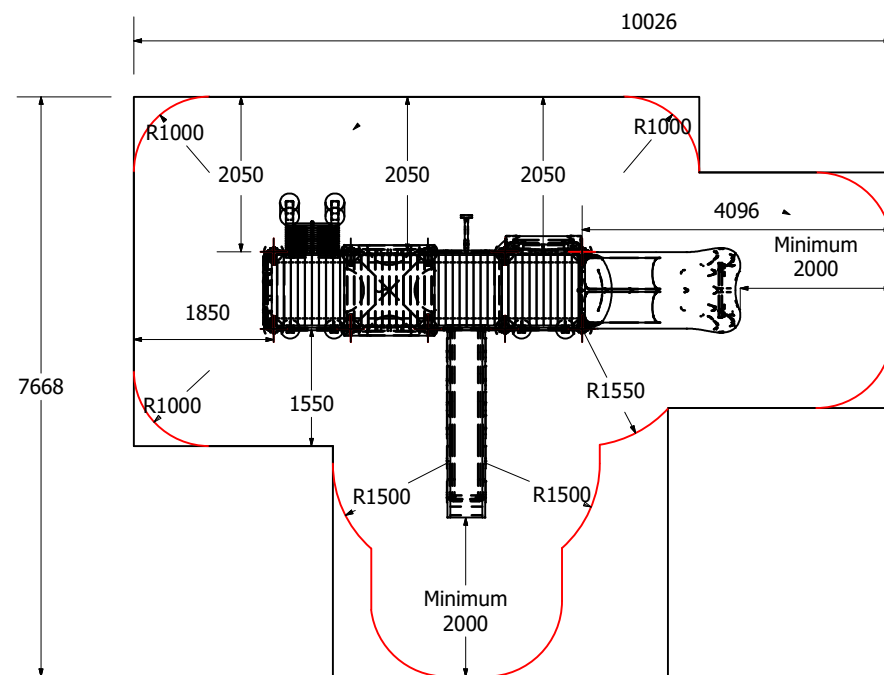




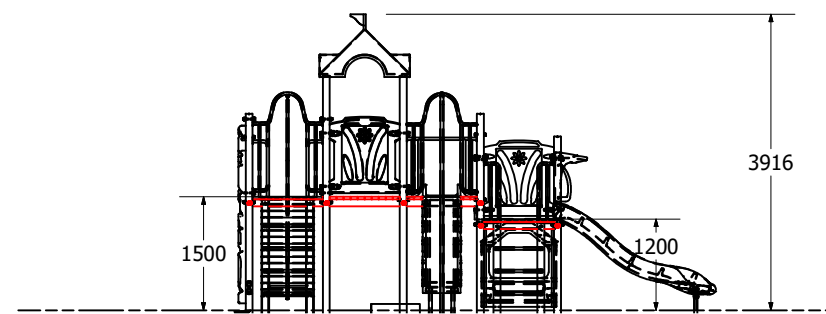


1:100 @ A3

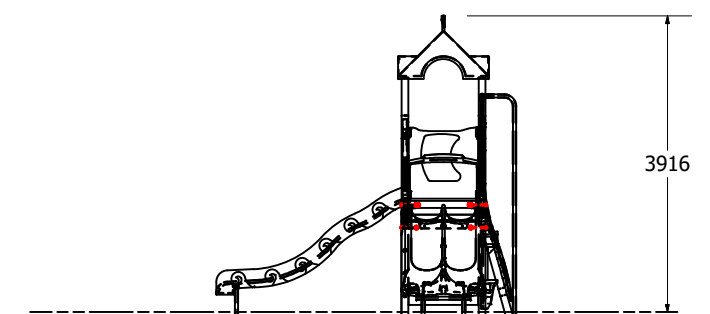
**Fallzones**



**Front Elevation**



**Right Elevation**



Technical Information	
Main Dimension	10026 x 7668
Total Area	56m <sup>2</sup>
Max FHO	1910
Heaviest Part	140kg
Compliant to	NZS 5828:2015 AS 4685:2017 EN 1176:2008

REVISION HISTORY			
REV	DESCRIPTION	DATE	BY
0	Creation	17/10/2017	