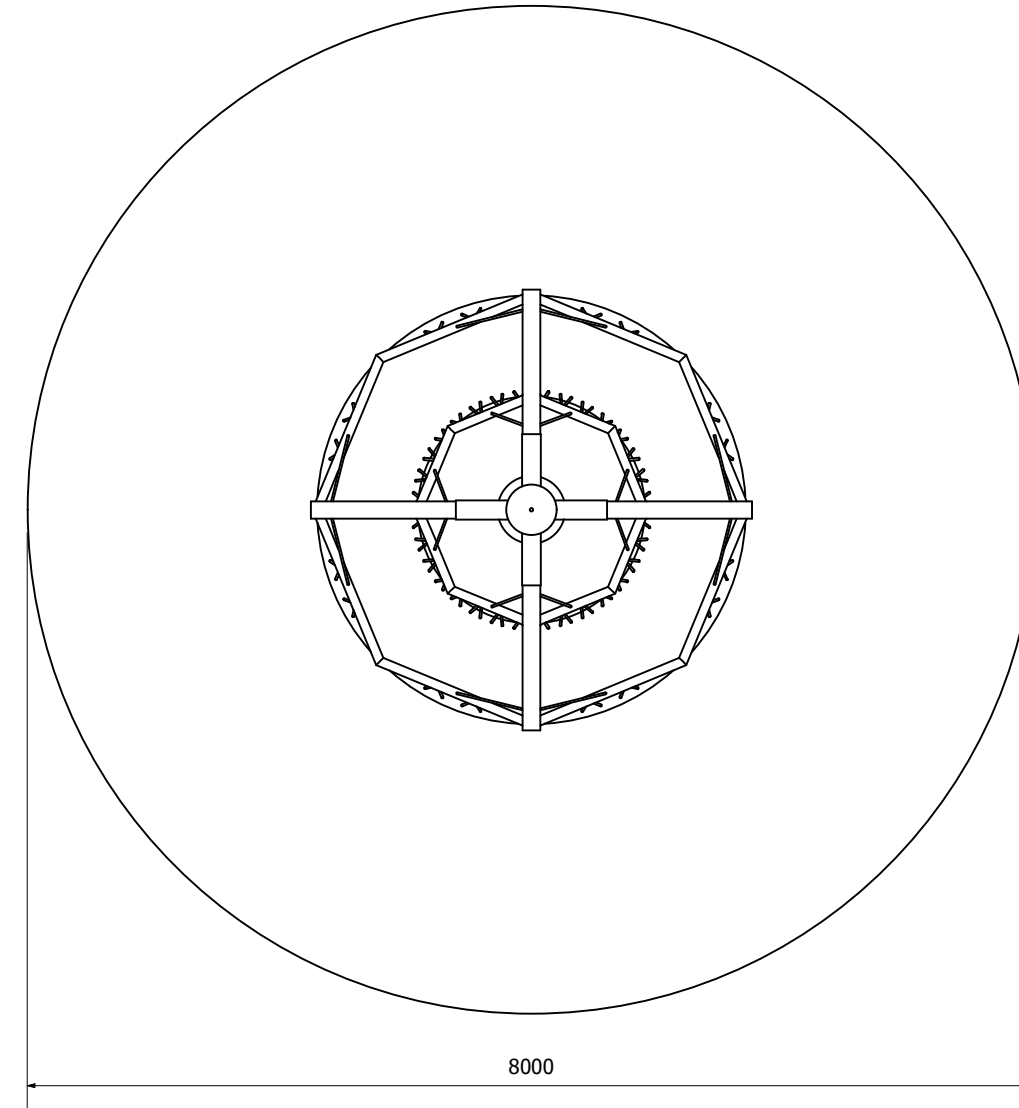
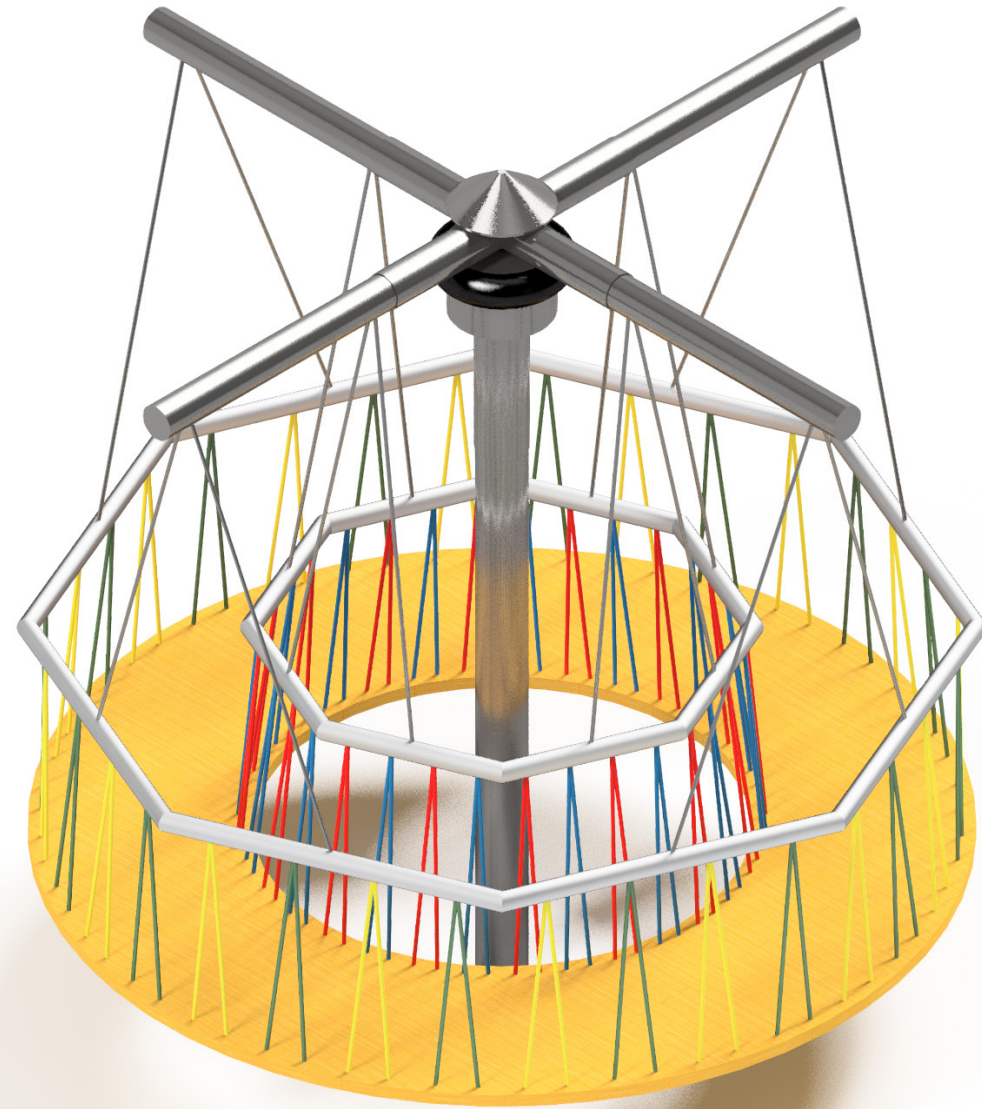


3.5m Wave Roundabout

SMCAWRS



The mandatory safety zone is 8000mm and is fully compliant to the safety standards. We recommend a bigger safety area of 11000 is used to cater for the high volume of users on this product!

