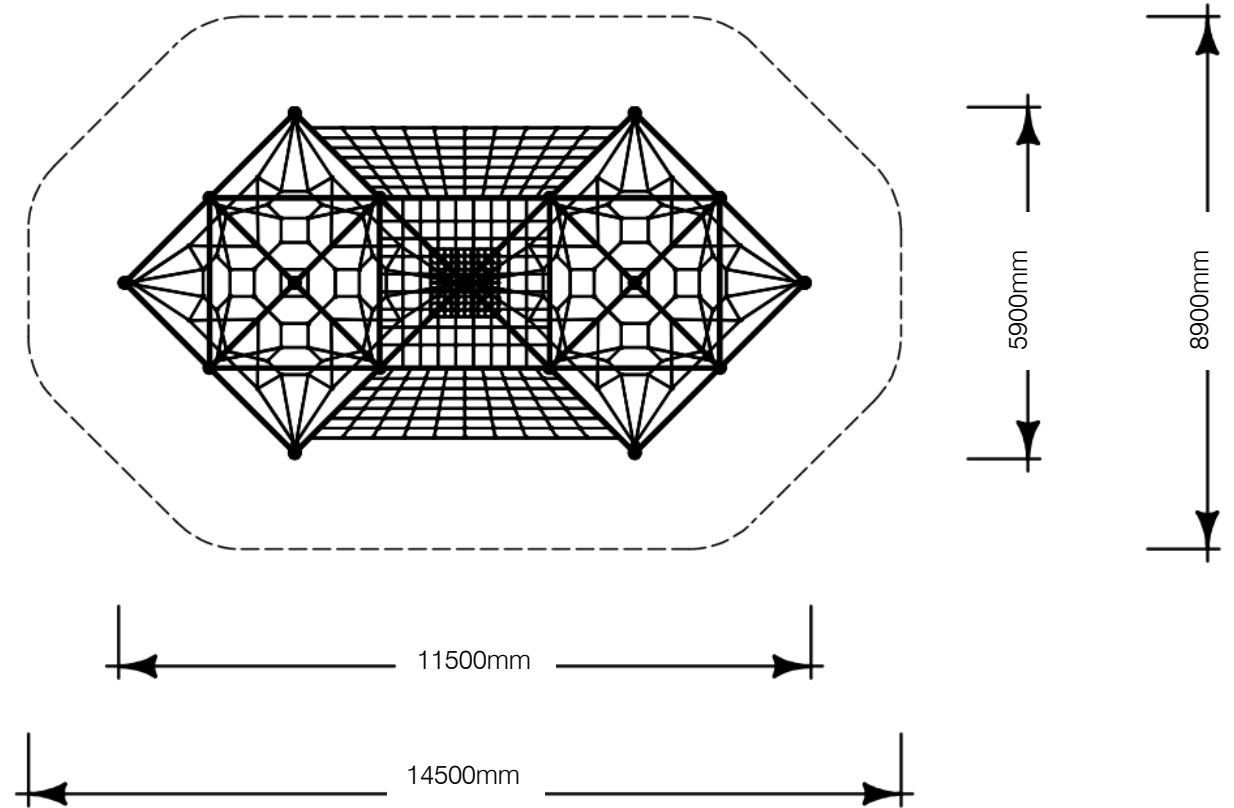
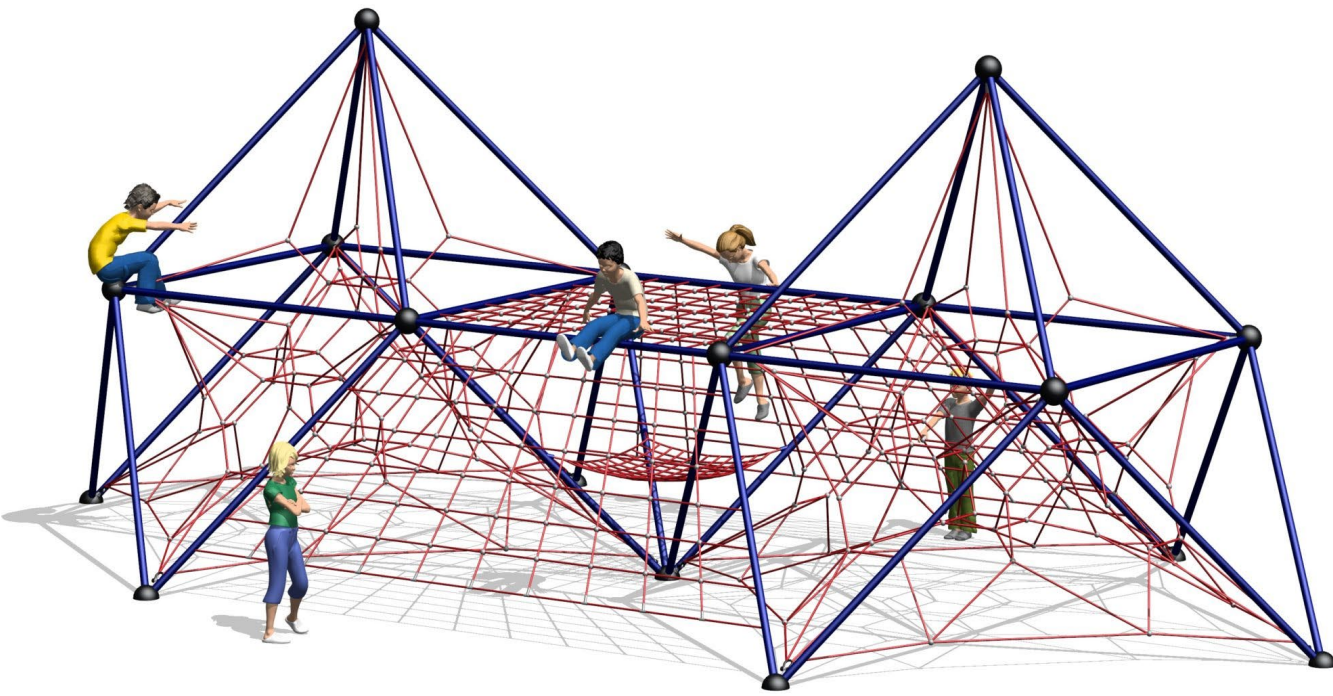


4.2 Mt Te Aroha Duo

CNMTTED



Technical Information	
Main dimensions	5900mm x 11500mm
Total Area	111 m ²
Max FHO	2200mm
Heaviest Part	70kg
Compliant	NZS 5828:2015 AS 4685:2017 EN 1176:2008

Approved: GN