



# Fitness Kombination 715

Another marvellous design combining several units into one – this one stretches your limits just that little bit more with 4 metre long activities instead of the standard 3 metres!

## Safety, Quality, Durability and Usability

- Certified to NZS5828:2004
- Conditional 25 Year Warranty
- Triple Coat Protective Powdercoating
- UV Stabilised Plastic
- Ergonomically Shaped Alloy Handgrips
- Flexi-chain Activities
- H5 Tanalised Posts

## Age groups appropriate for:



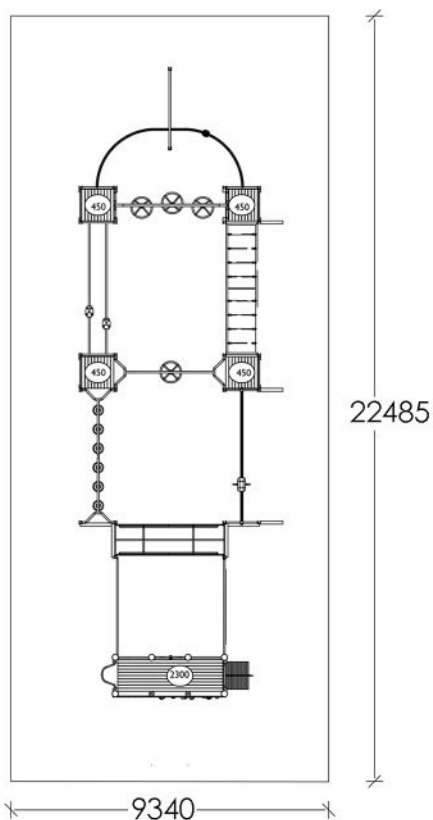
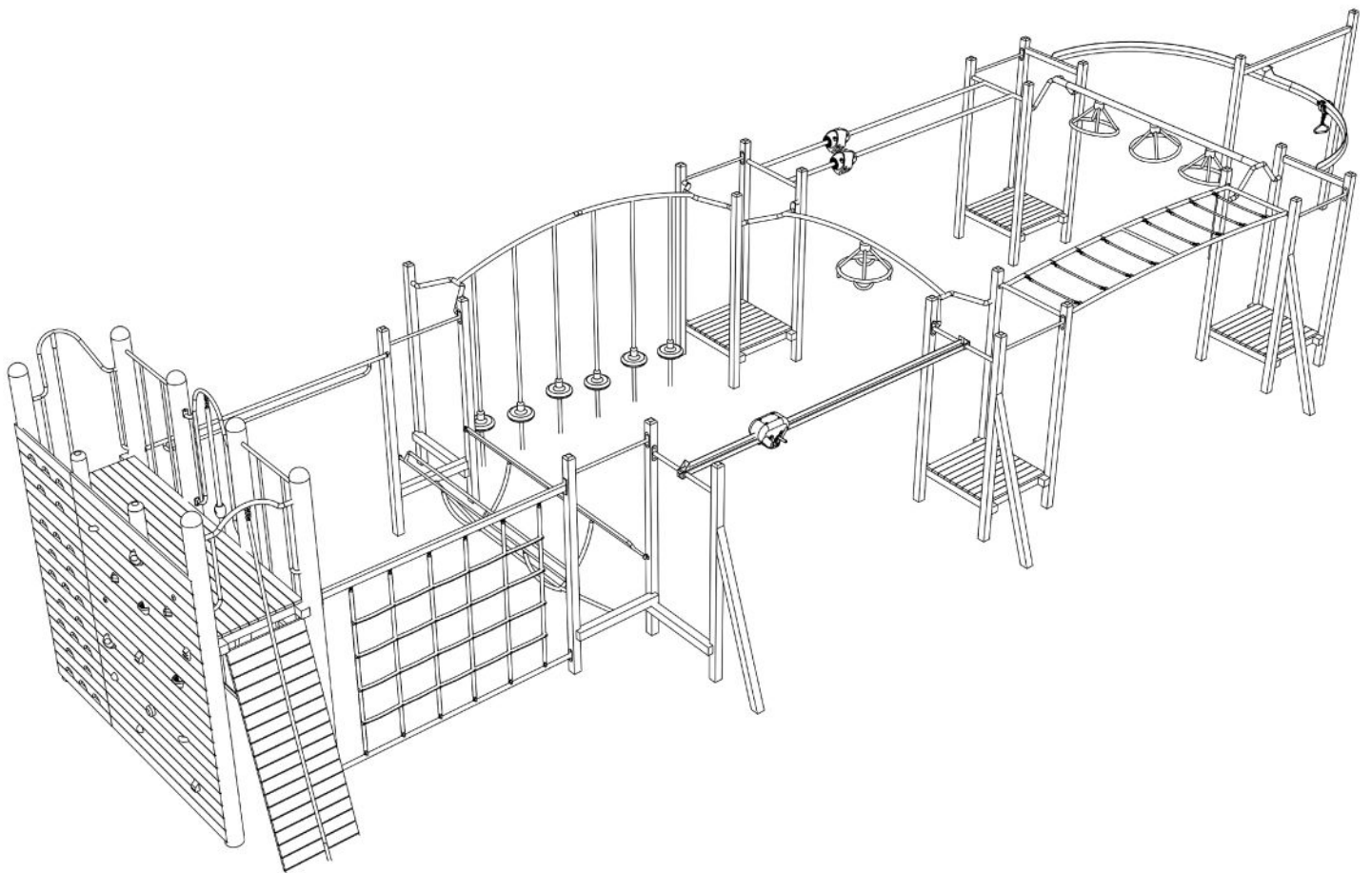
Primary to  
Big Kids



Teenagers to  
Young Adults

## Development Benefits

- AGL** Agility
- BAL** Balance
- CO-ORD** Co-ordination
- FMS** Fine motor skills
- GMS** Gross motor skills
- SD** Social Development



#### Technical information

Equipment only measurement: – mm	18400 x 5950 mm
Weight (heaviest part): – kg	99 kg
Total height above safety surface: – mm	3800 mm
Standard installation depth: – mm	–
Available for surface mount	–
Free height of fall: – mm	3000 mm
Safety zone: – m <sup>2</sup>	211.6 m <sup>2</sup>
Safety zone: – mm	22485 x 9340 mm
Compliant to standards	NZ5828 : 2004