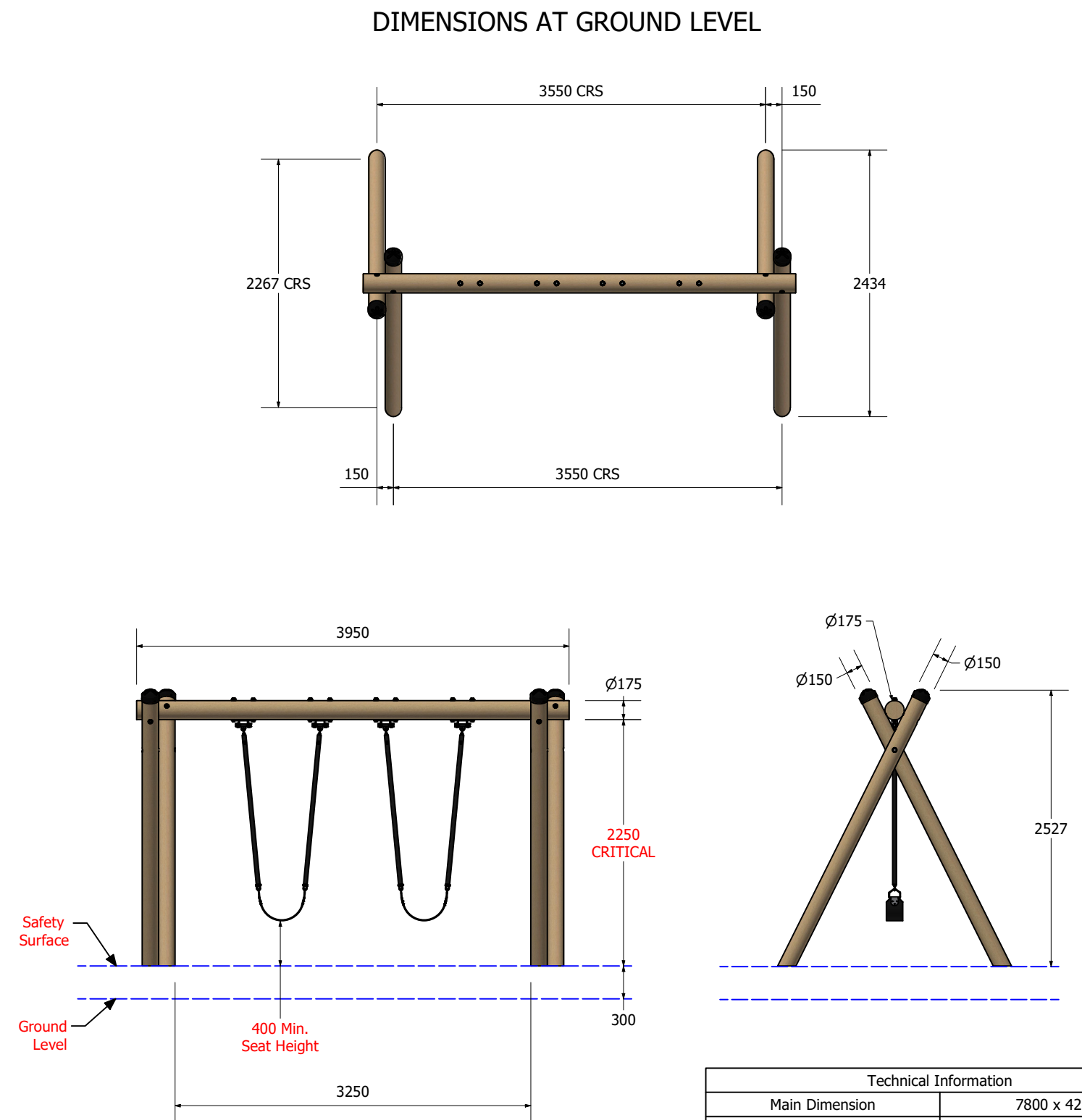
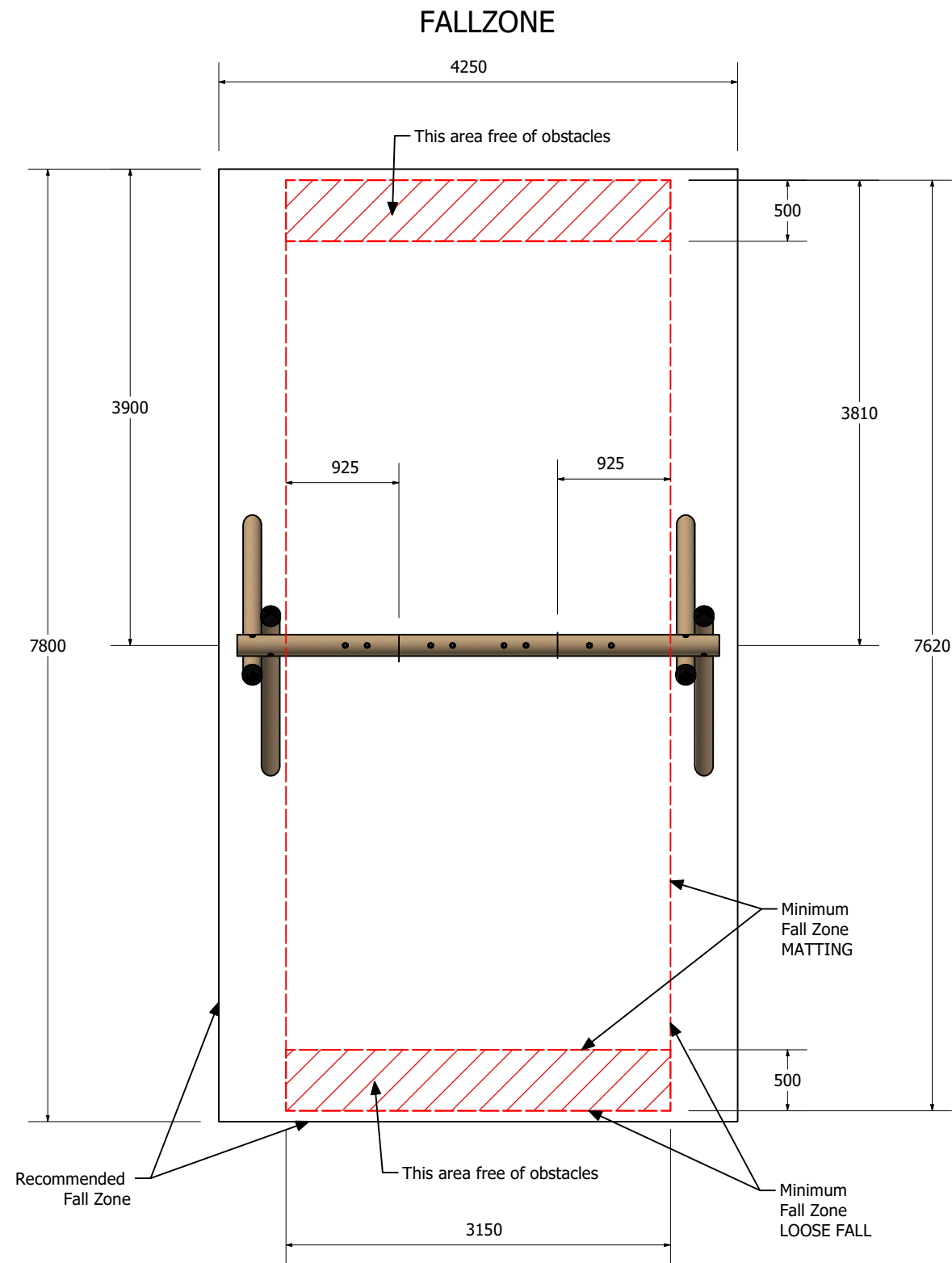


TIMBAPLAY SWING - 2 BAY STANDARD 2VR

SWTP2S01



SWTP2S01



Technical Information	
Main Dimension	7800 x 4250
Total Area	33 sq/m
Max FHO	1400 mm
Heaviest Part	50 kg
Compliant to	NZS 5828:2015 AS 4685:(series) EN 1176:2008