

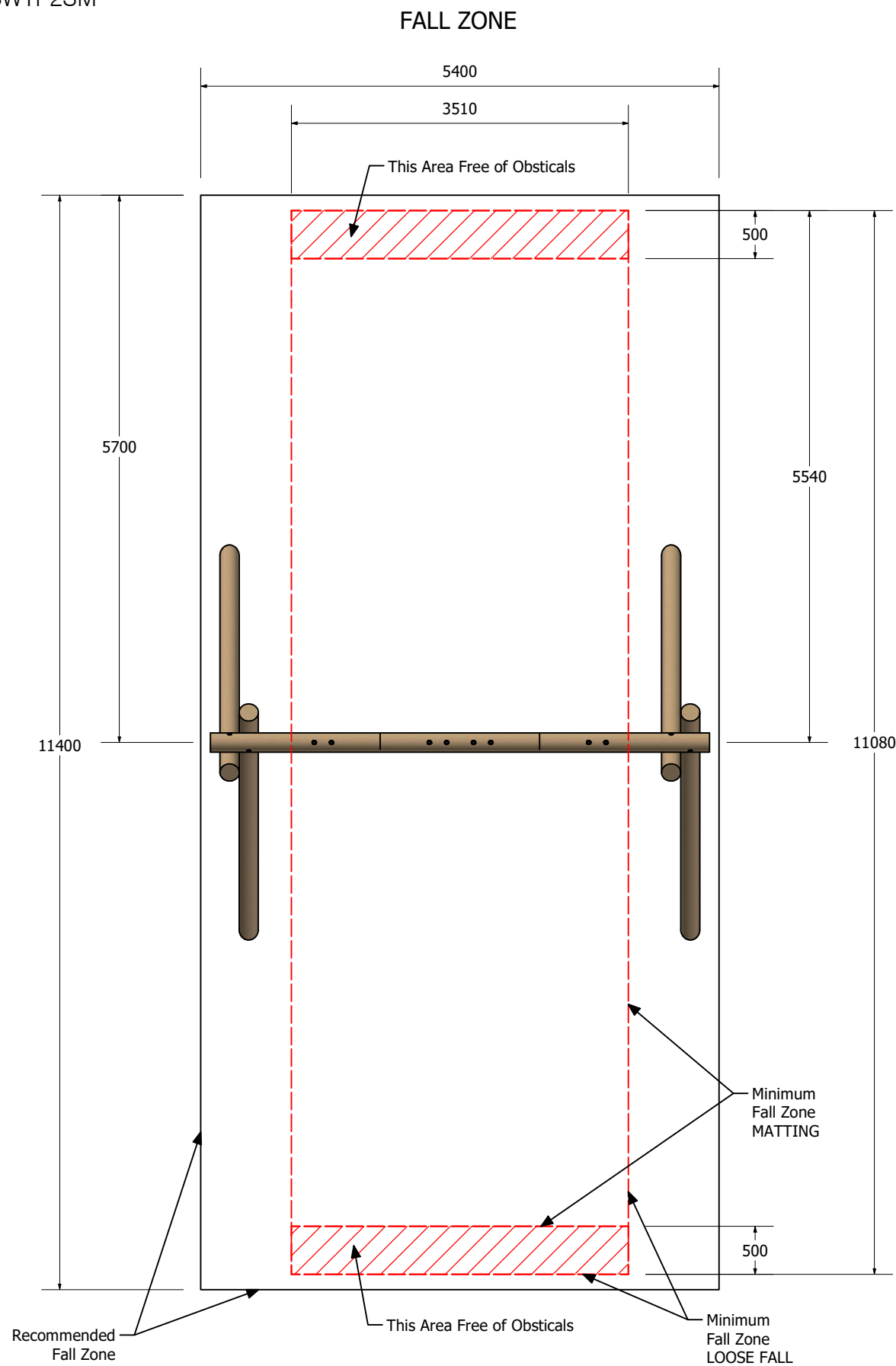
# TIMBERPLAY SWING - 2 BAY - SUPER MEGA

SWTP2SM

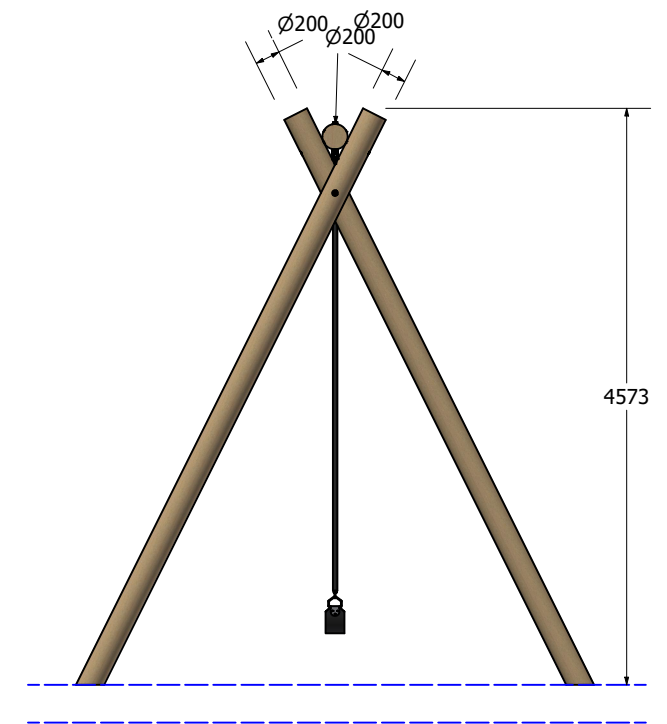
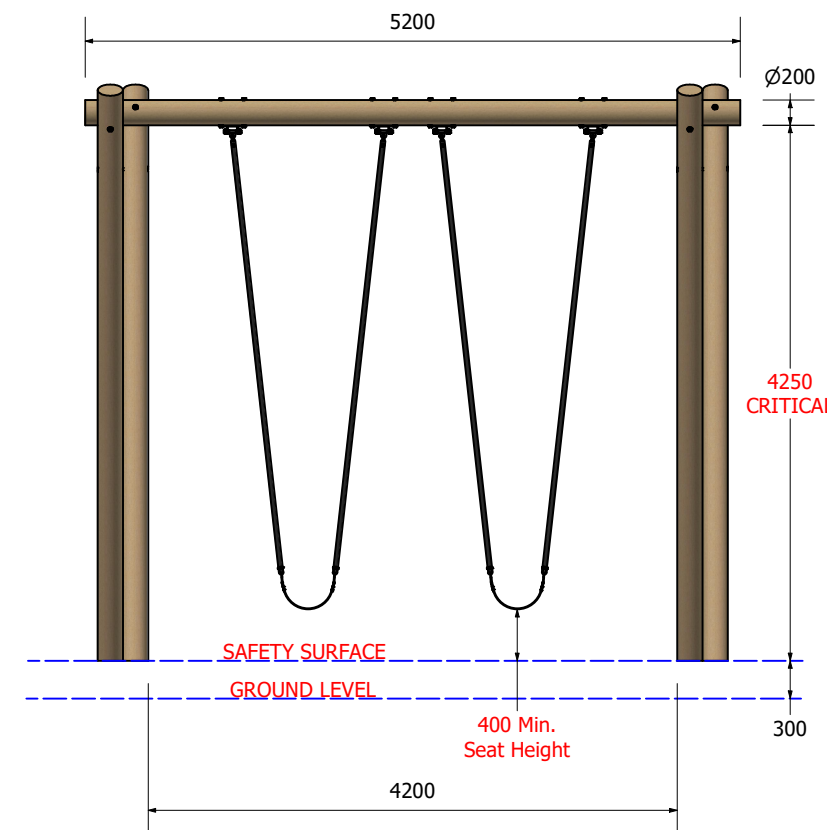
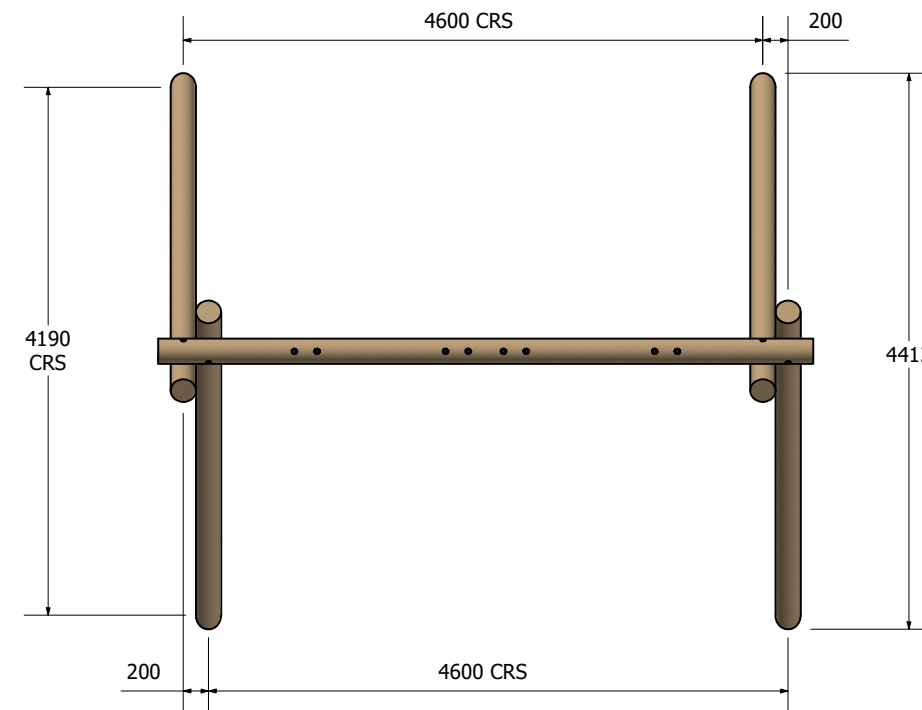


# TIMBERPLAY SWING - 2 BAY - SUPER MEGA

SWTP2SM



**DIMENSIONS AT GROUND LEVEL**



Technical Information	
Main Dimension	9700 x 4700
Total Area	45 sqm
Max FHOV	1.8 m
Heaviest Part	100 kg
Compliant to	NZS 5828:2015 AS 4685:(series) EN 1176:2008