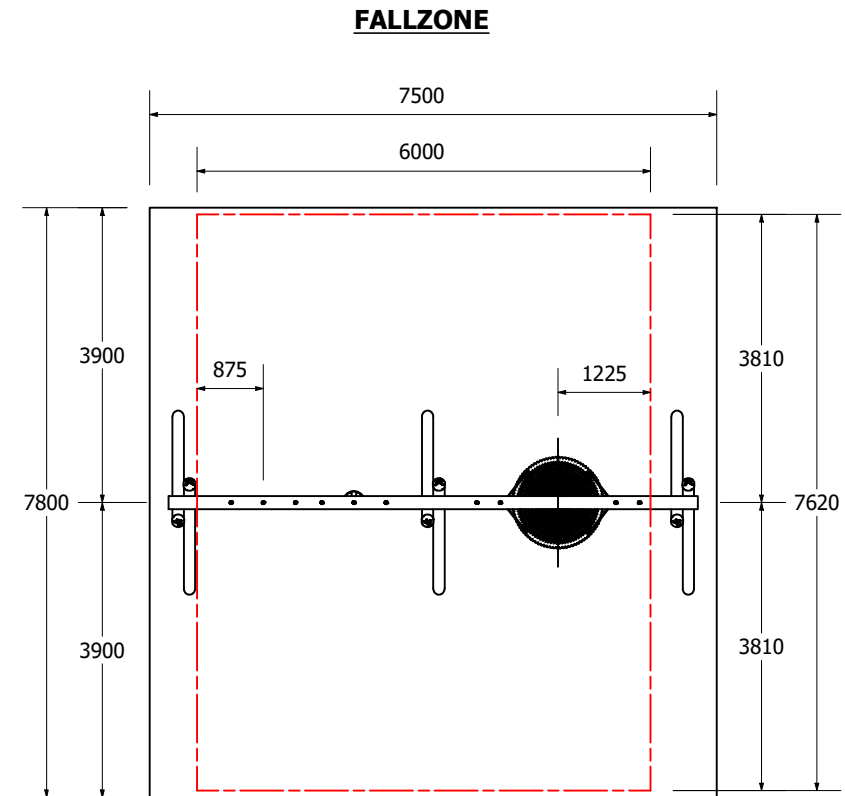


Flying Saucer -Wobbly Wood Double Frame

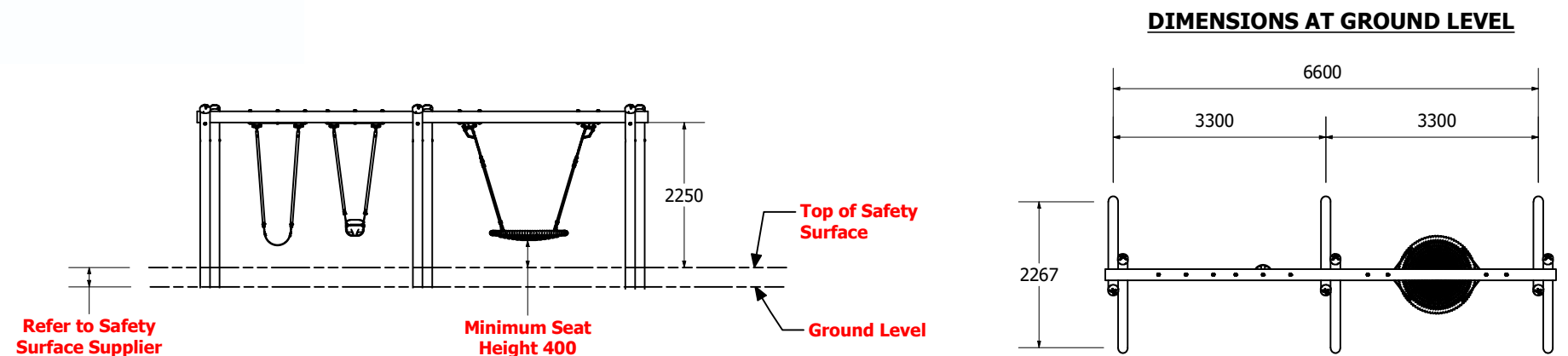
1 x VR, 1 x TWC, 1 x Basket

Fallzone for loose fill application

1:100 @ A3



Technical Information	
Legend - 4 Bay Timbaplay Swing 2200	
	Suggested Fall Zone
	Minimum Fall Zone As Per AS4685:2014/ NZS5828:2015
	Flush With Safety Surface/ No Obstacles
Free Height Of Fall : 1300mm	
NOTE MINIMUM FALL ZONES CALCULATED OFF MINIMUM SEAT HEIGHT	
Heaviest Part	120 kg



REVISION HISTORY			
REV	DESCRIPTION	DATE	BY
0	Creation	5/07/2019	

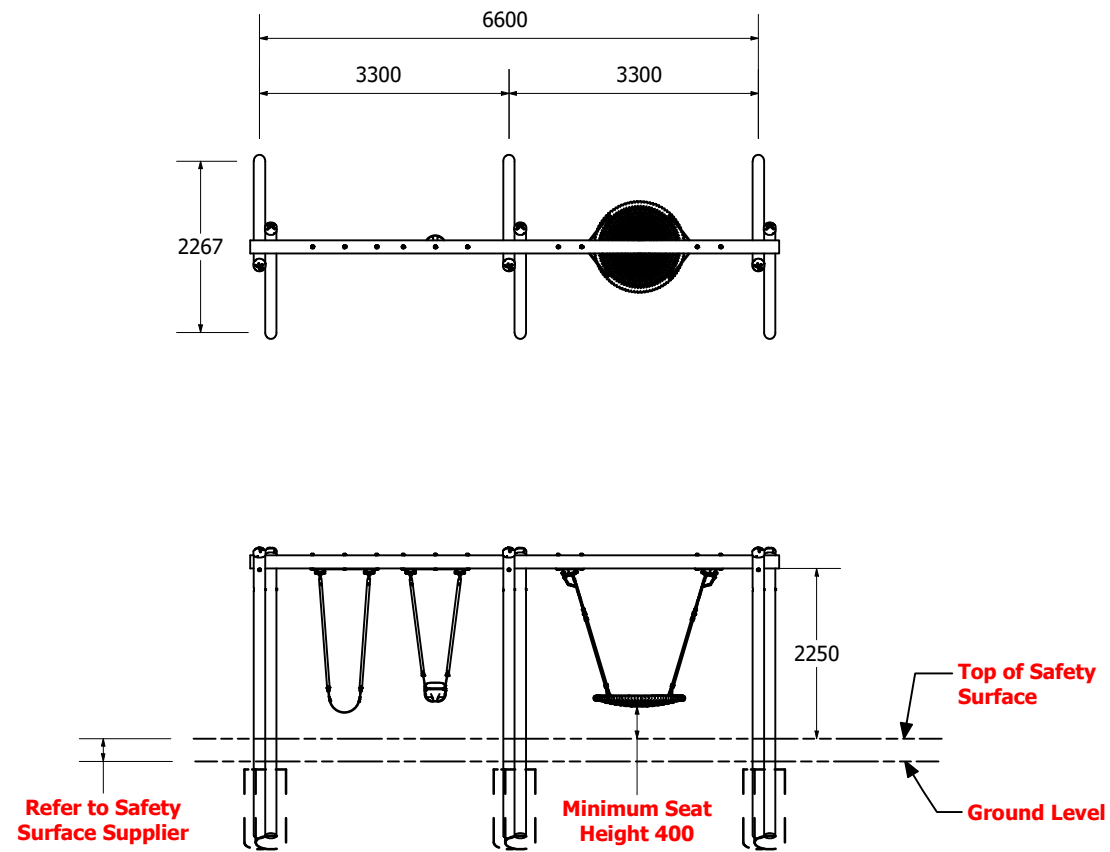
Flying Saucer - Wobbly Wood Double Frame

1 x VR, 1 x TWC, 1 x Basket

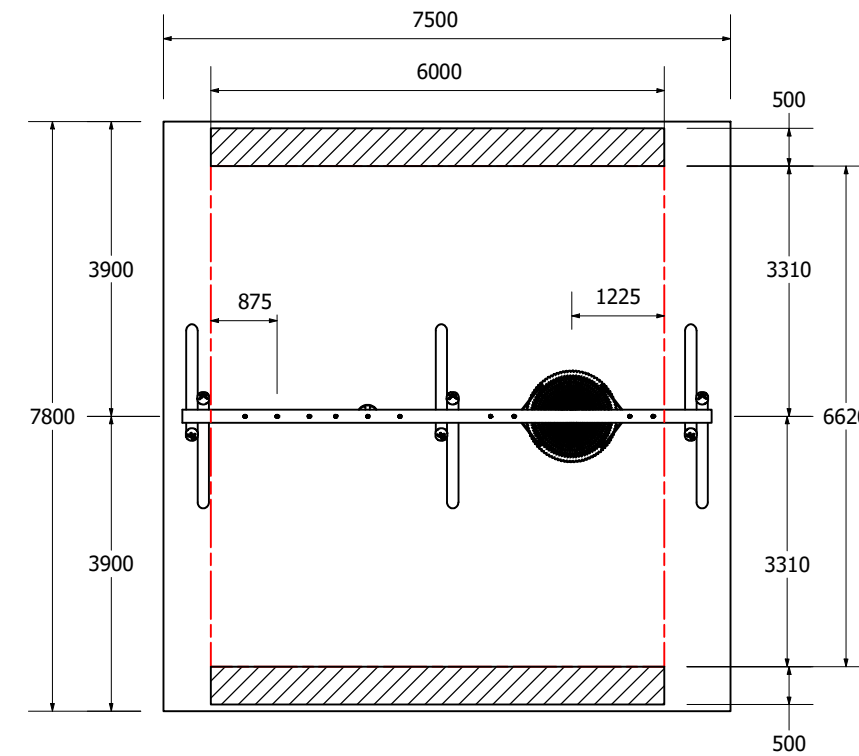
Fallzone for Synthetic Surface application

1:100 @ A3

DIMENSIONS AT GROUND LEVEL



FALLZONE



Technical Information	
Legend - 4 Bay Timbaplay Swing 2200	
	Suggested Fall Zone
	Minimum Fall Zone As Per AS4685:2014/ NZS5828:2015
	Flush With Safety Surface/ No Obstacles
Free Height Of Fall : 1300mm	
NOTE MINIMUM FALL ZONES CALCULATED OFF MINIMUM SEAT HEIGHT	
Heaviest Part	120 kg