

Wobbly Wood Single Flying Saucer (Basket Swing)

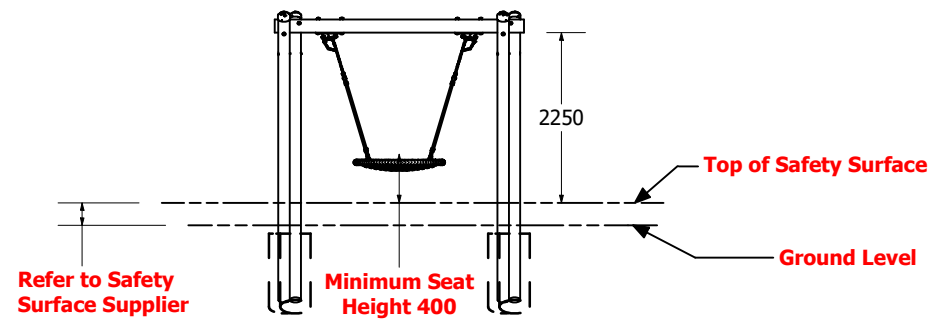
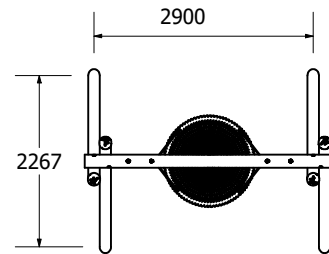


Wobbly Wood Single Flying Saucer (Basket Swing)

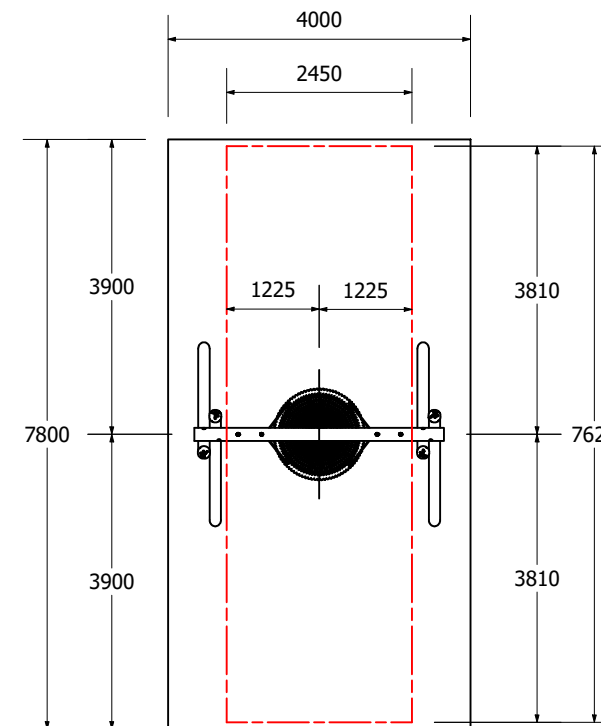
Fallzones for Loose Fill Application




1:100 @ A3

DIMENSIONS AT GROUND LEVEL



FALLZONE



Technical Information	
Legend - 2 Bay Timbaplay Basket Swing 2200	
	Suggested Fall Zone
	Minimum Fall Zone As Per AS4685:2014/ NZS5828:2015
	Flush With Safety Surface/ No Obstacles
Free Height Of Fall : 1300mm	
NOTE MINIMUM FALL ZONES CALCULATED OFF MINIMUM SEAT HEIGHT	
Heaviest Part	120kg

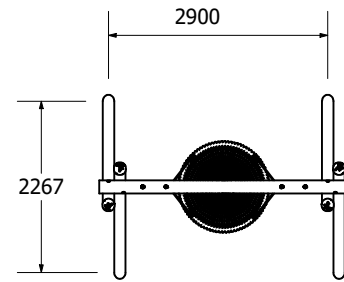
REVISION HISTORY			
REV	DESCRIPTION	DATE	BY
1	Update	11/07/2019	

Wobbly Wood Single Flying Saucer (Basket Swing)

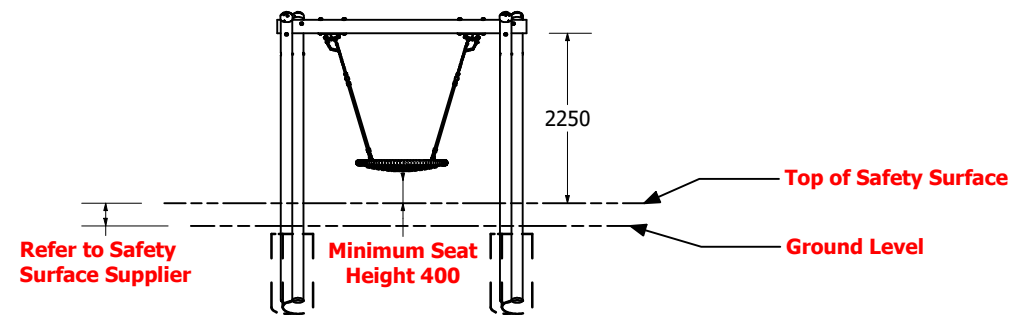
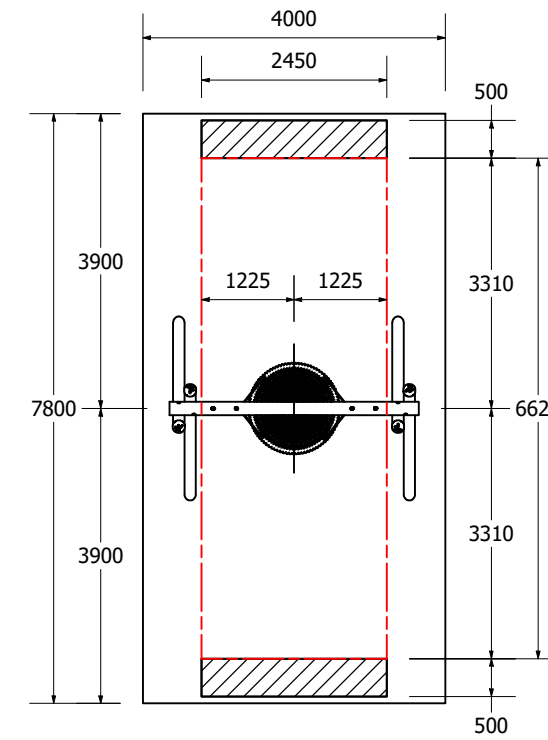
Fallzones for Synthetic Surface Application



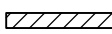
1:100 @ A3

DIMENSIONS AT GROUND LEVEL



FALLZONE



Technical Information	
Legend - 2 Bay Timbaplay Basket Swing 2200	
	Suggested Fall Zone
	Minimum Fall Zone As Per AS4685:2014/ NZS5828:2015
	Flush With Safety Surface/ No Obstacles
Free Height Of Fall : 1300mm	
NOTE MINIMUM FALL ZONES CALCULATED OFF MINIMUM SEAT HEIGHT	
Heaviest Part	120kg