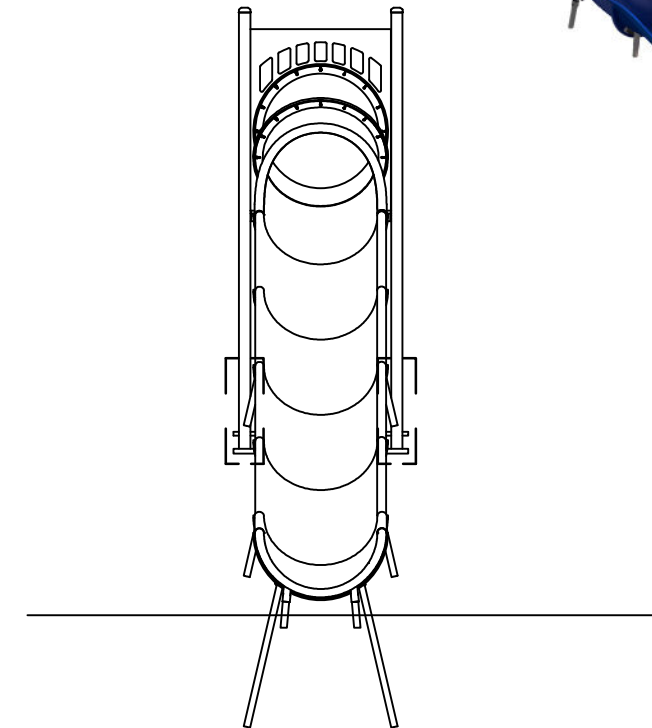
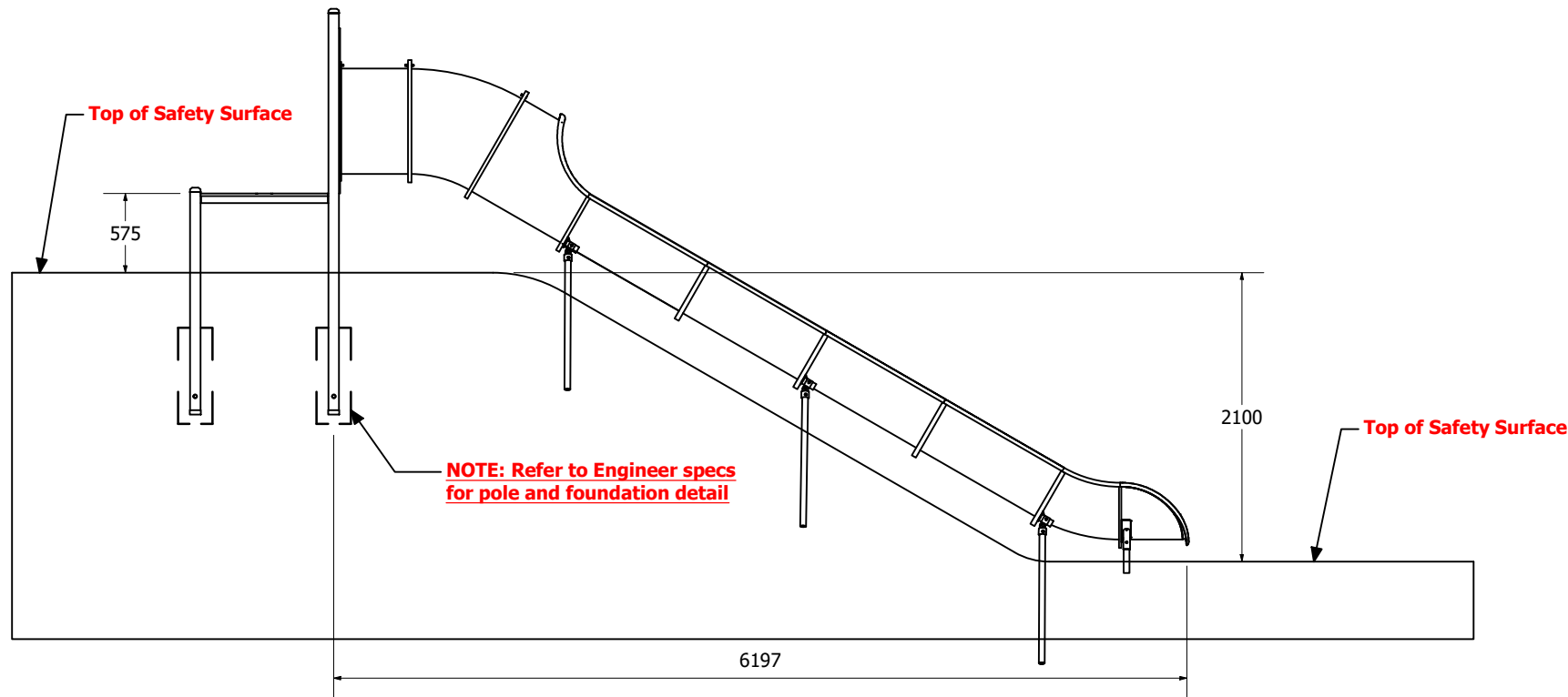
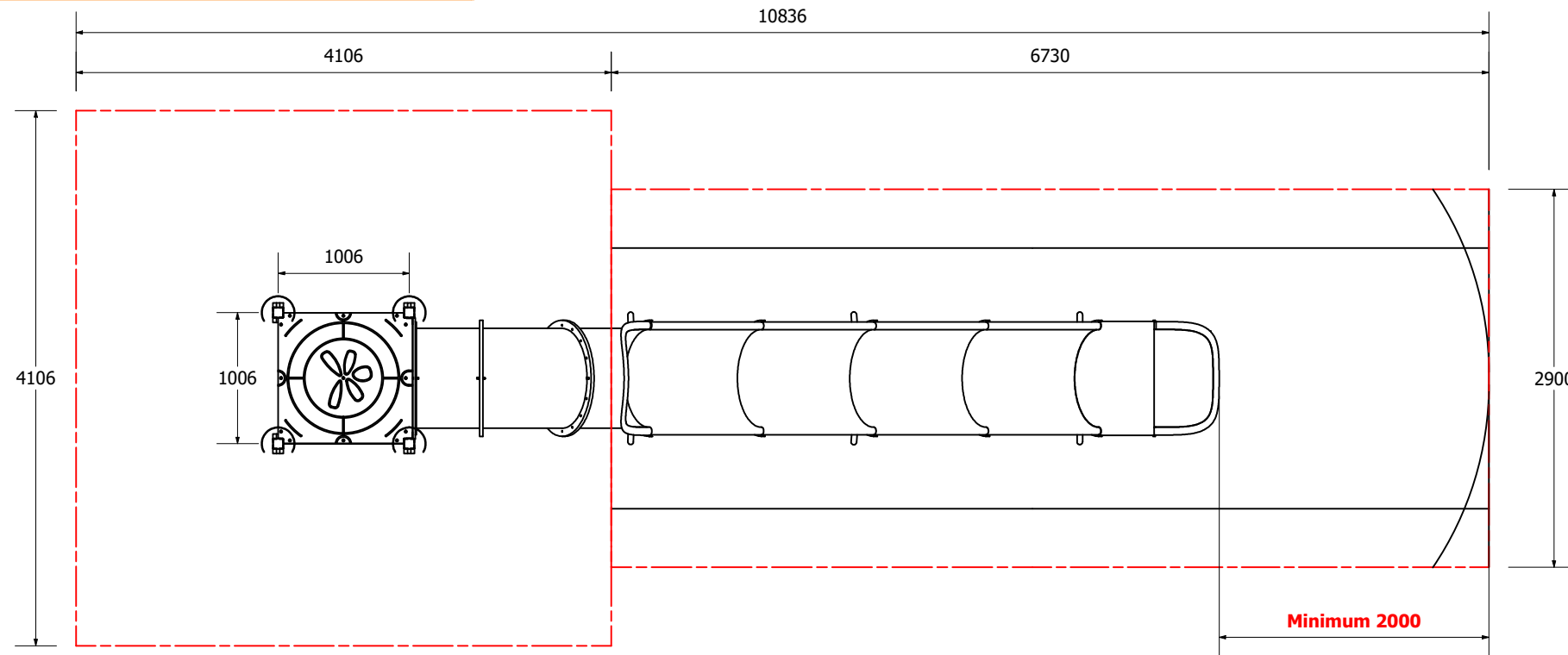


# SC389 Slide Module



# SC389 Slide Module



Technical Information	
Main Dimension	10836 x 4106
Total Area	37m2
Max FHOE	600mm
Heaviest Part	--
Compliant to	NZS 5828:2015 AS 4685:2017 EN 1176:2008