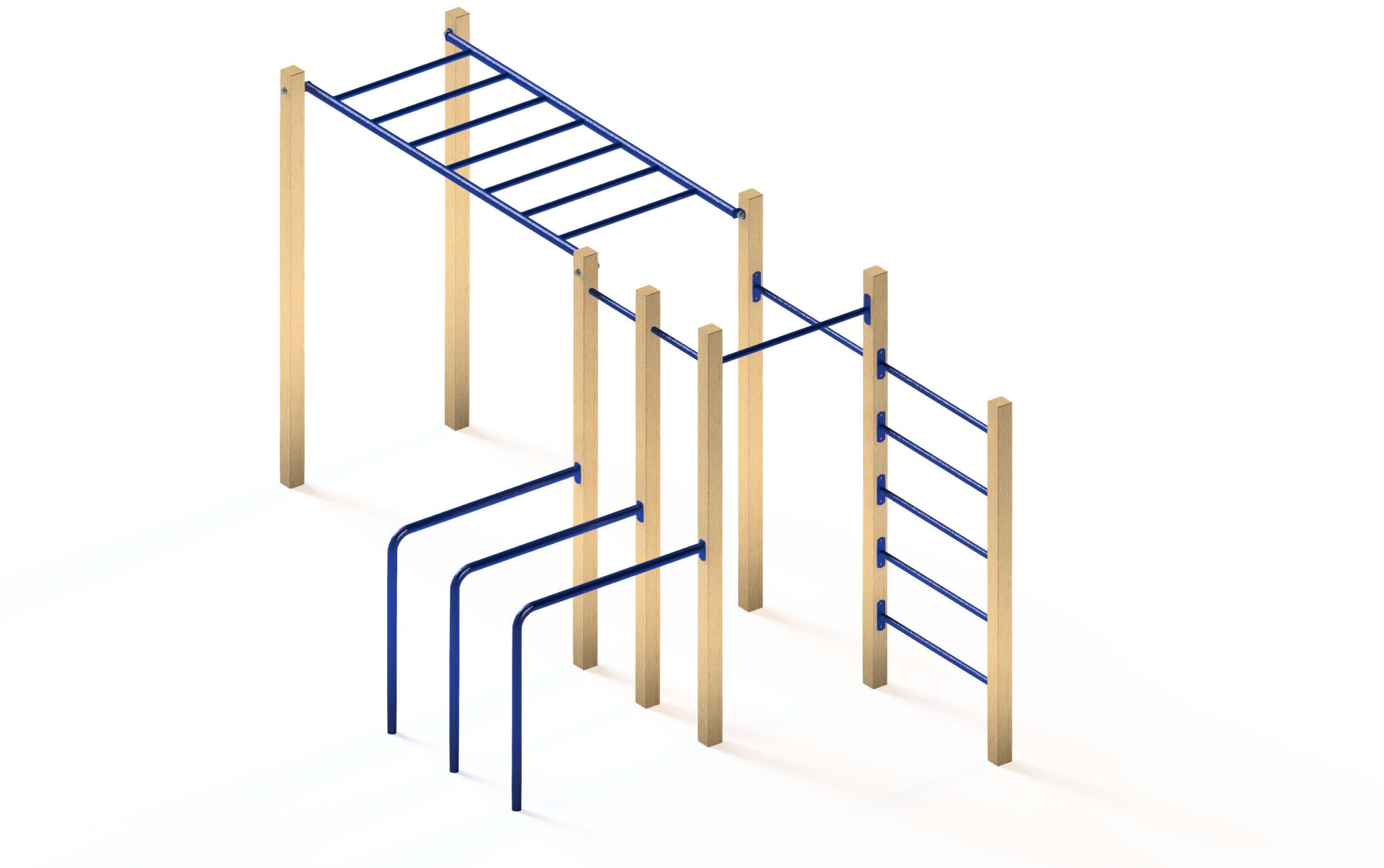


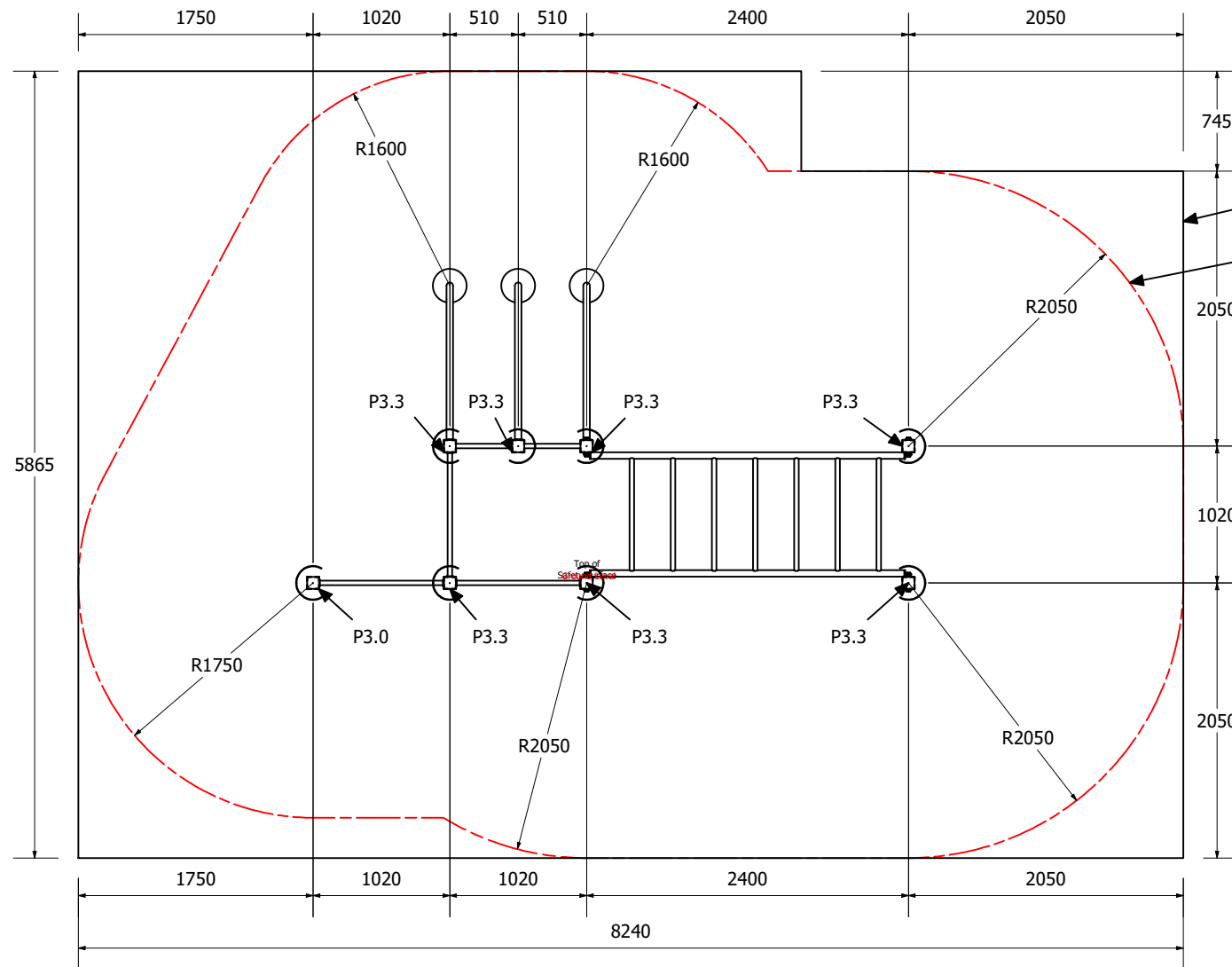
Max Health - Timber Super Workout

ZCORD Number

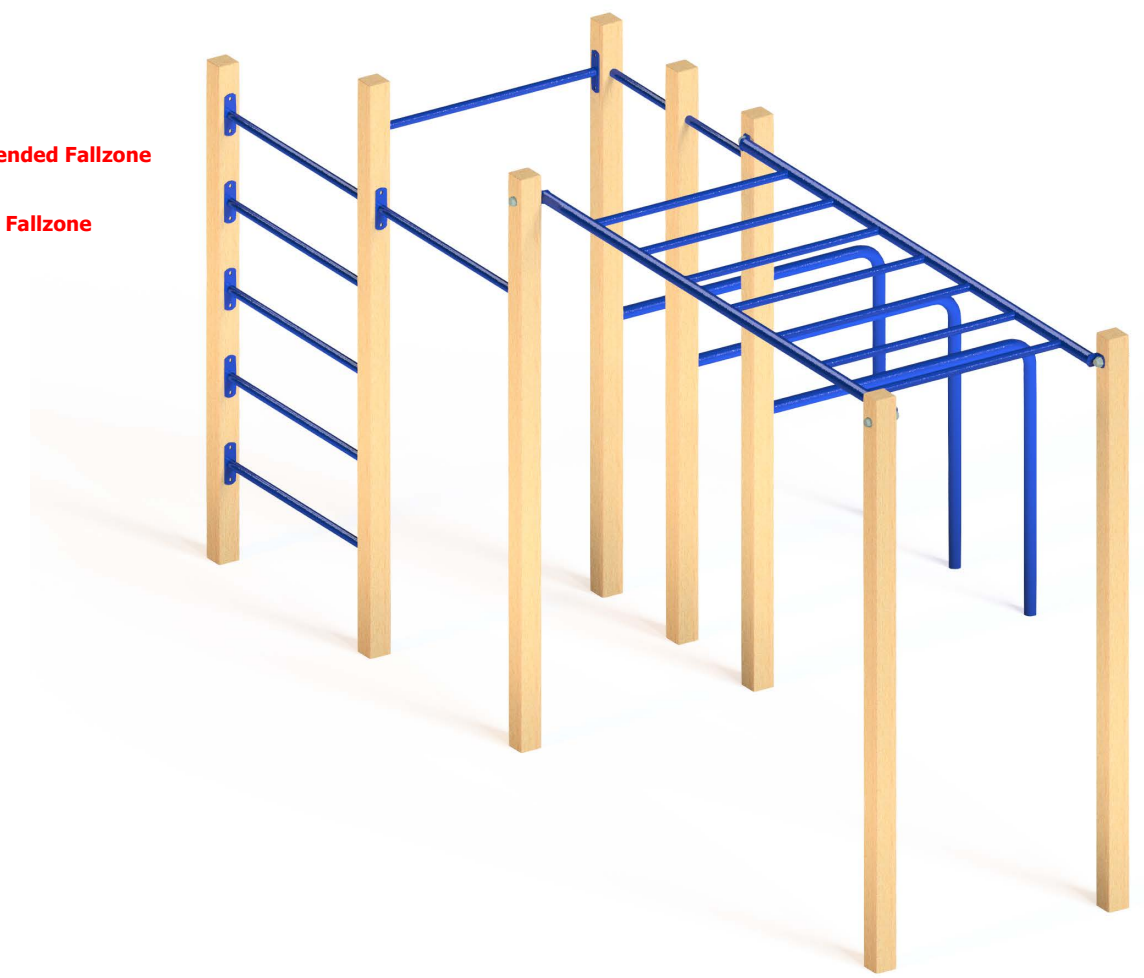


ZCORD Number
1:50 @ A3

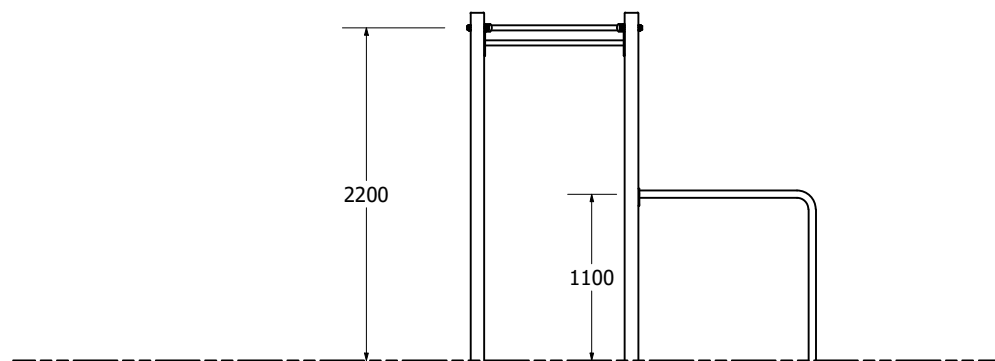
Fallzones



Recommended Fallzone
Minimum Fallzone



Side Elevation



Technical Information	
Main Dimension	8240 x 5865
Total Area	47m2
Max FHO	2200
Heaviest Part	20kg
Compliant to	NZS 5828:2015 AS 4685:2017 EN 1176:2008

REVISION HISTORY			
REV	DESCRIPTION	DATE	BY
1	Creation	29/05/2020	Sam