

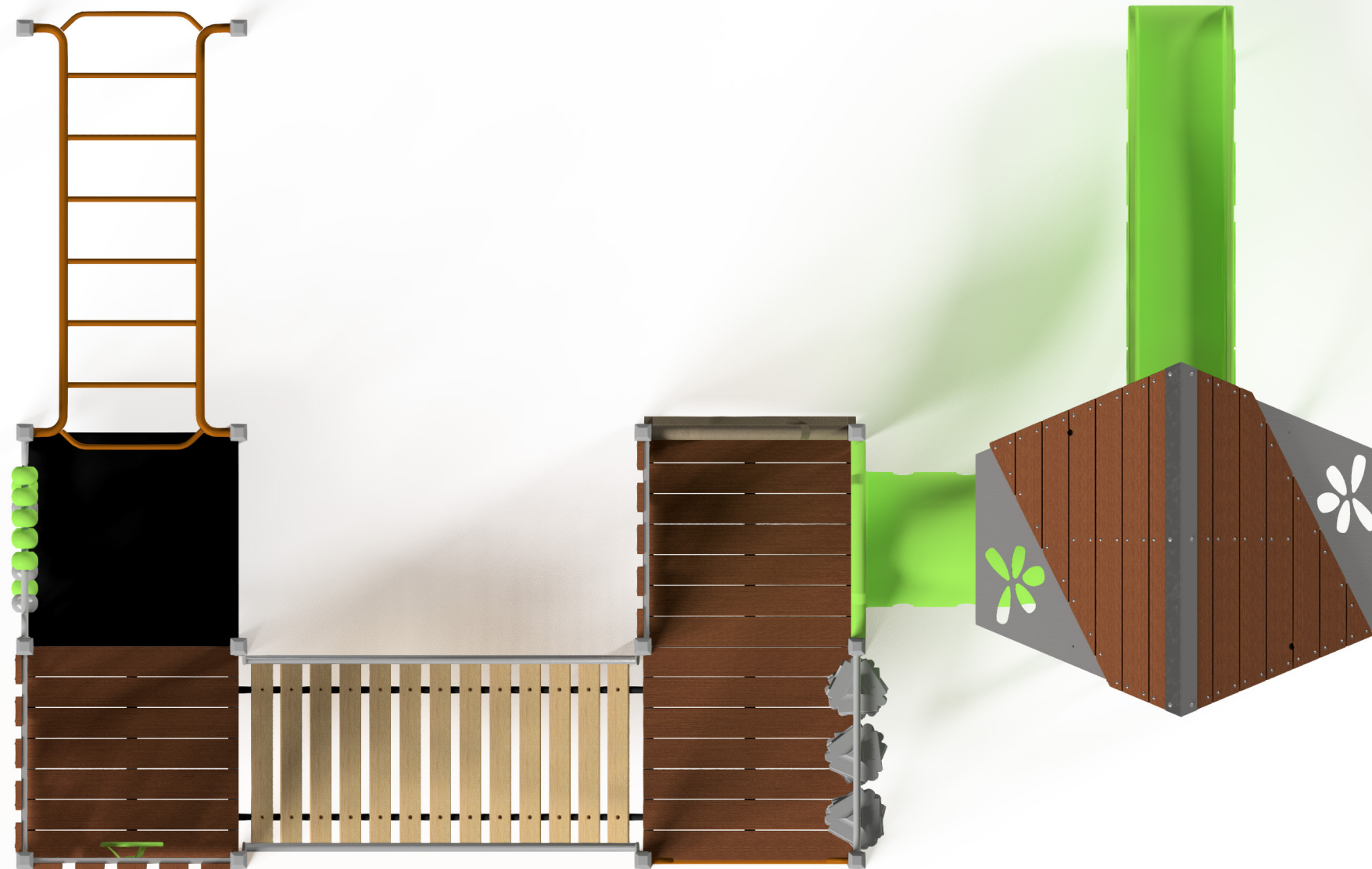
MOMP116-U



MOMP116-U



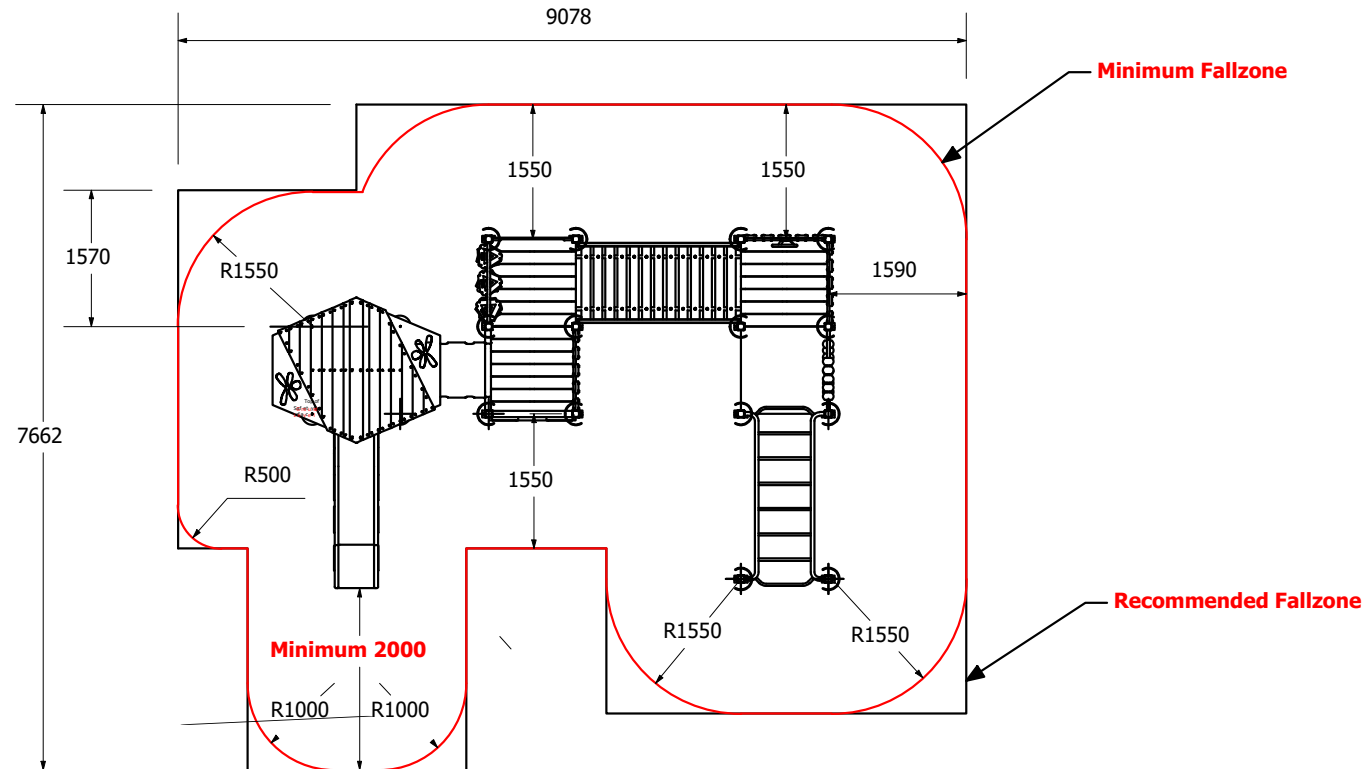
MOMP116-U



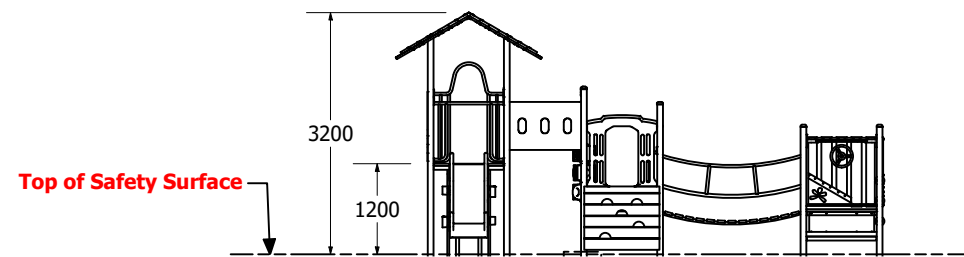
MOMP116-U

1:100 @ A3

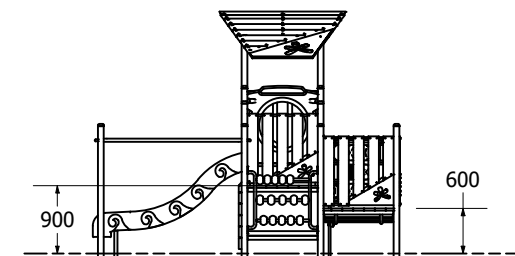
Fallzones



Front Elevation



Right Elevation



Technical Information	
Main Dimension	9078x7662
Total Area	59m2
Max FHO	1500
Heaviest Part	70kg
Compliant to	NZS 5828:2015 AS 4685:2017 EN 1176:2008

REVISION HISTORY			
REV	DESCRIPTION	DATE	BY
0	Creation	6/07/2018	