

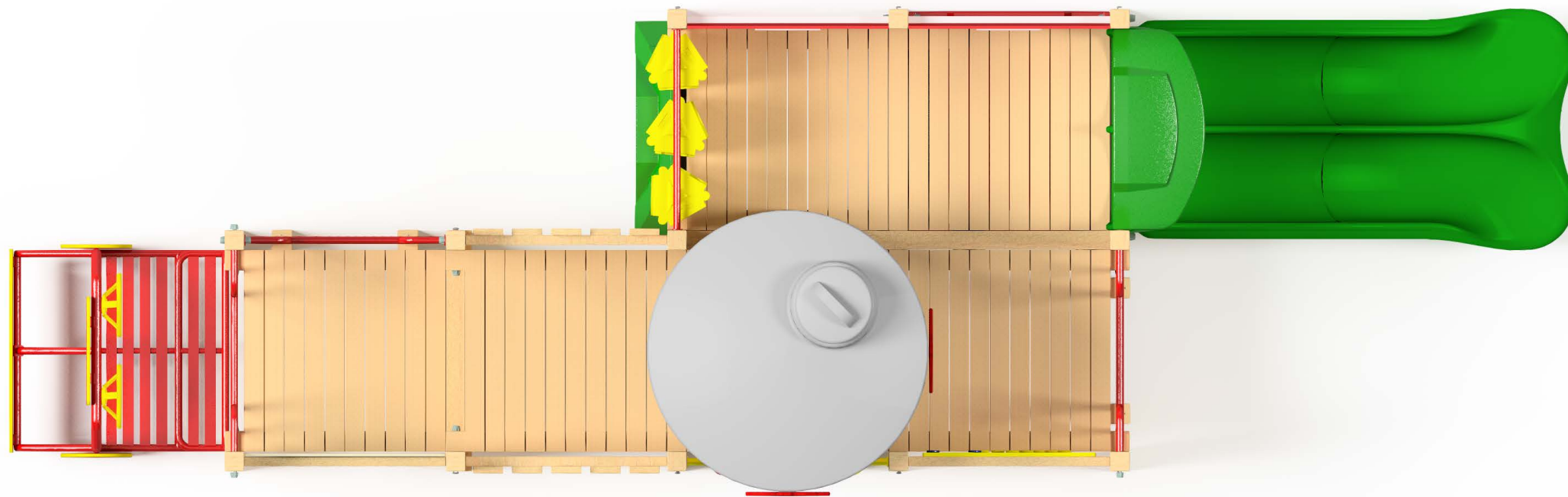
ZCORD Number



ZCORD Number

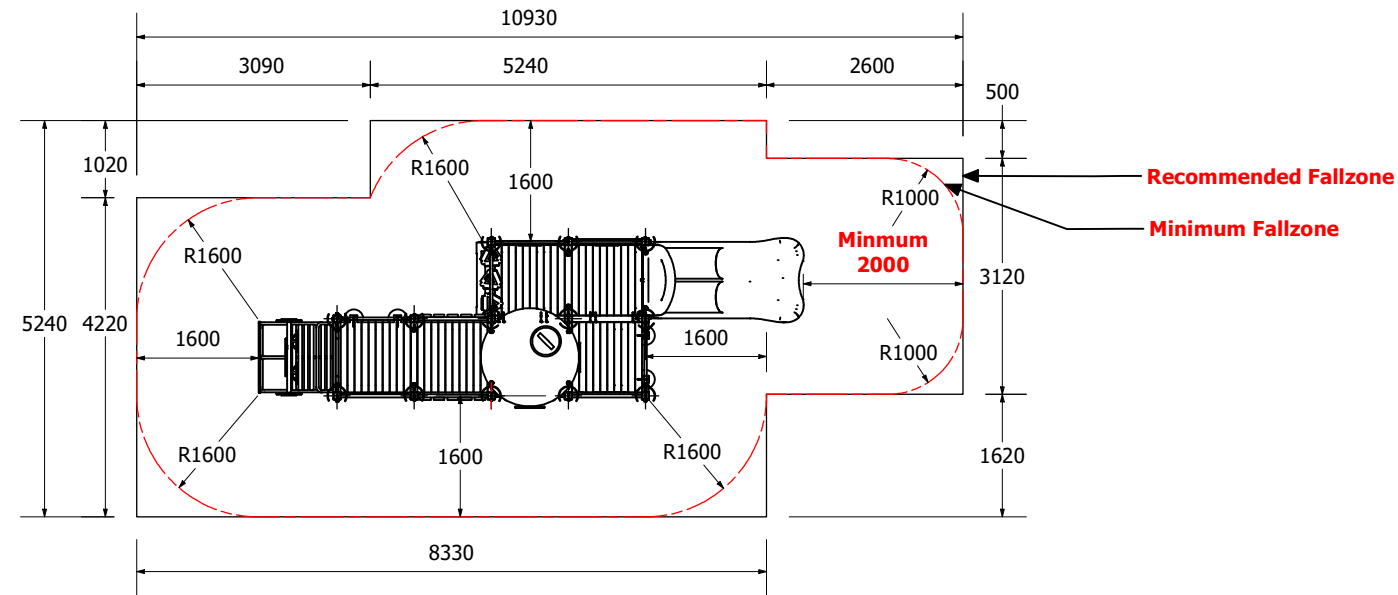


ZCORD Number

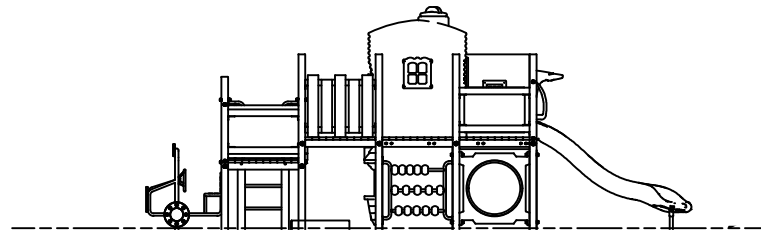


ZCORD Number  
**1:100 @ A3**

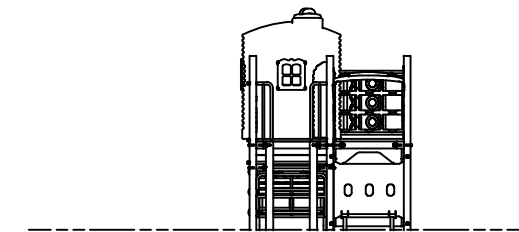
### Fallzones



### Front Elevation



### Right Elevation



Technical Information	
Main Dimension	10930 x 5240
Total Area	49m <sup>2</sup>
Max FHO	1200
Heaviest Part	60kg
Compliant to	NZS 5828:2015 AS 4685:2017 EN 1176:2008

REVISION HISTORY			
REV	DESCRIPTION	DATE	BY
2	Creation	1/05/2020	Sam