

# Lagoon 112 - Environmental

Front view



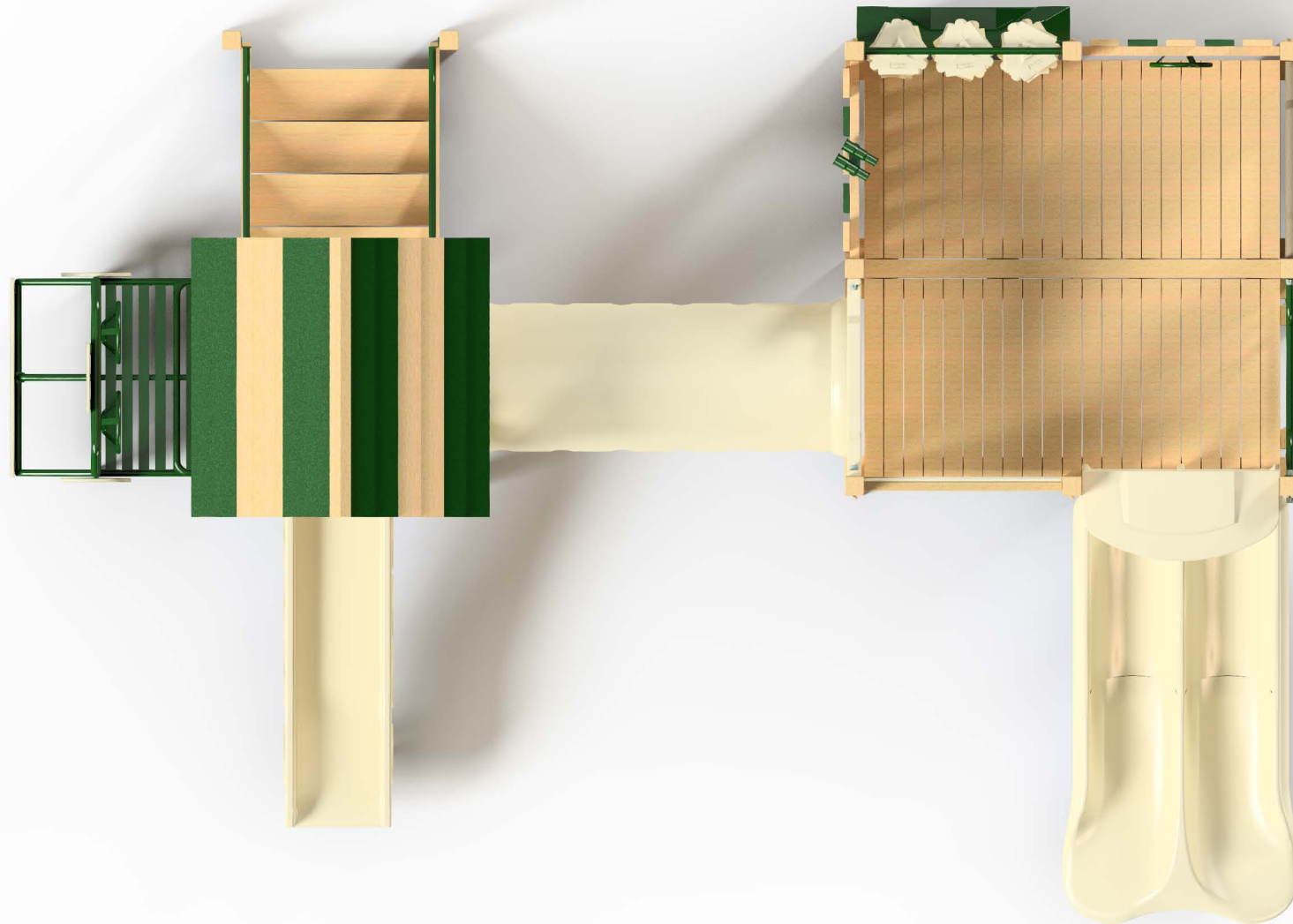
# Lagoon 112 - Environmental

Rear view



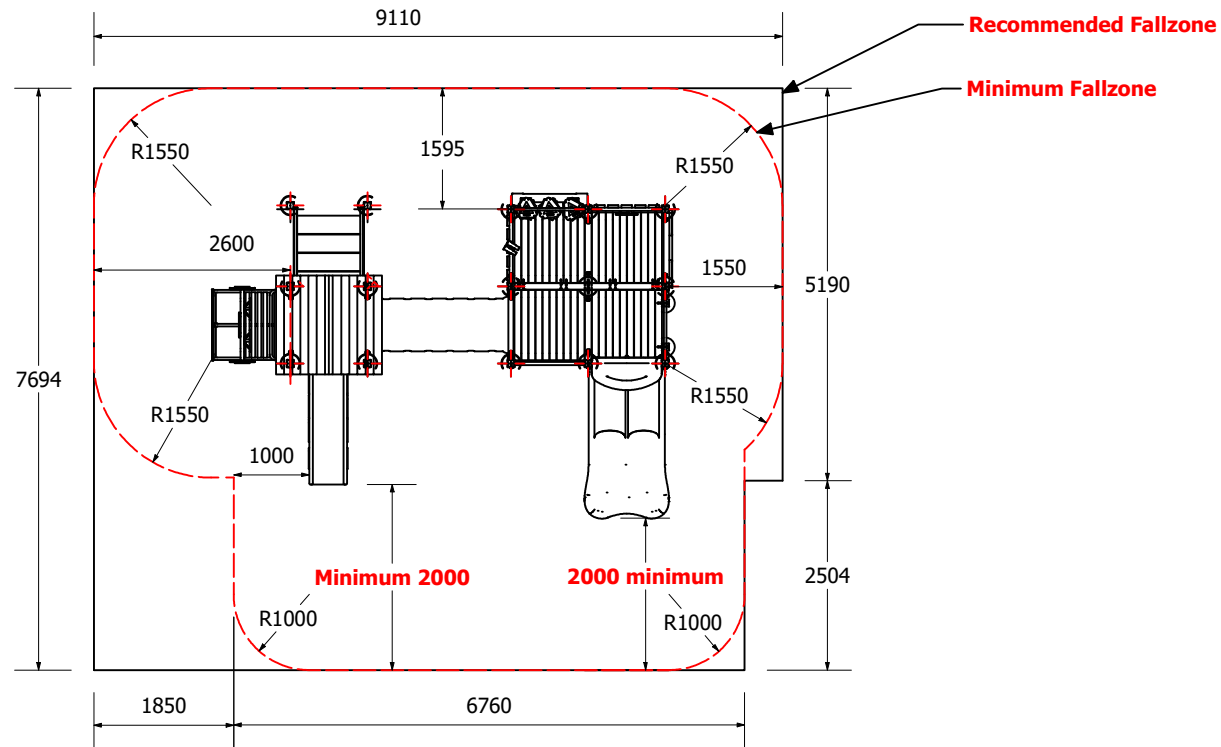
# Lagoon 112 - Environmental

Plan view

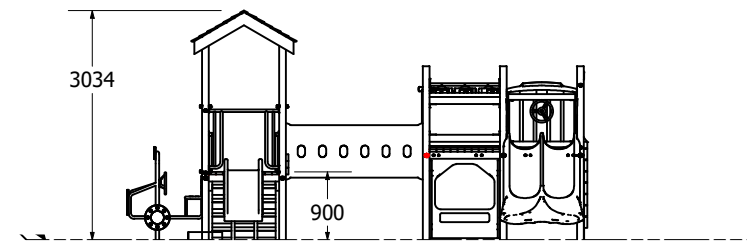


1:100 @ A3

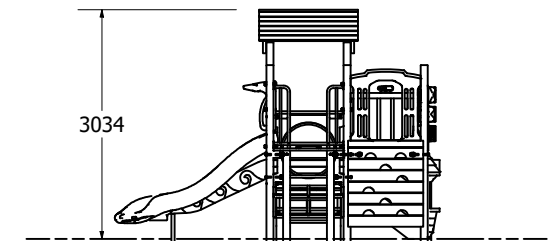
### Fallzones



### Front Elevation



### Right Elevation



Technical Information	
Main Dimension	9110 x 7694
Total Area	61m <sup>2</sup>
Max FHO	1200
Heaviest Part	80kg
Compliant to	NZS 5828:2015 AS 4685:2017 EN 1176:2008

REVISION HISTORY			
REV	DESCRIPTION	DATE	BY
0	Creation	11/08/2017	