

Lagoon 112 - Metaplay

Front view



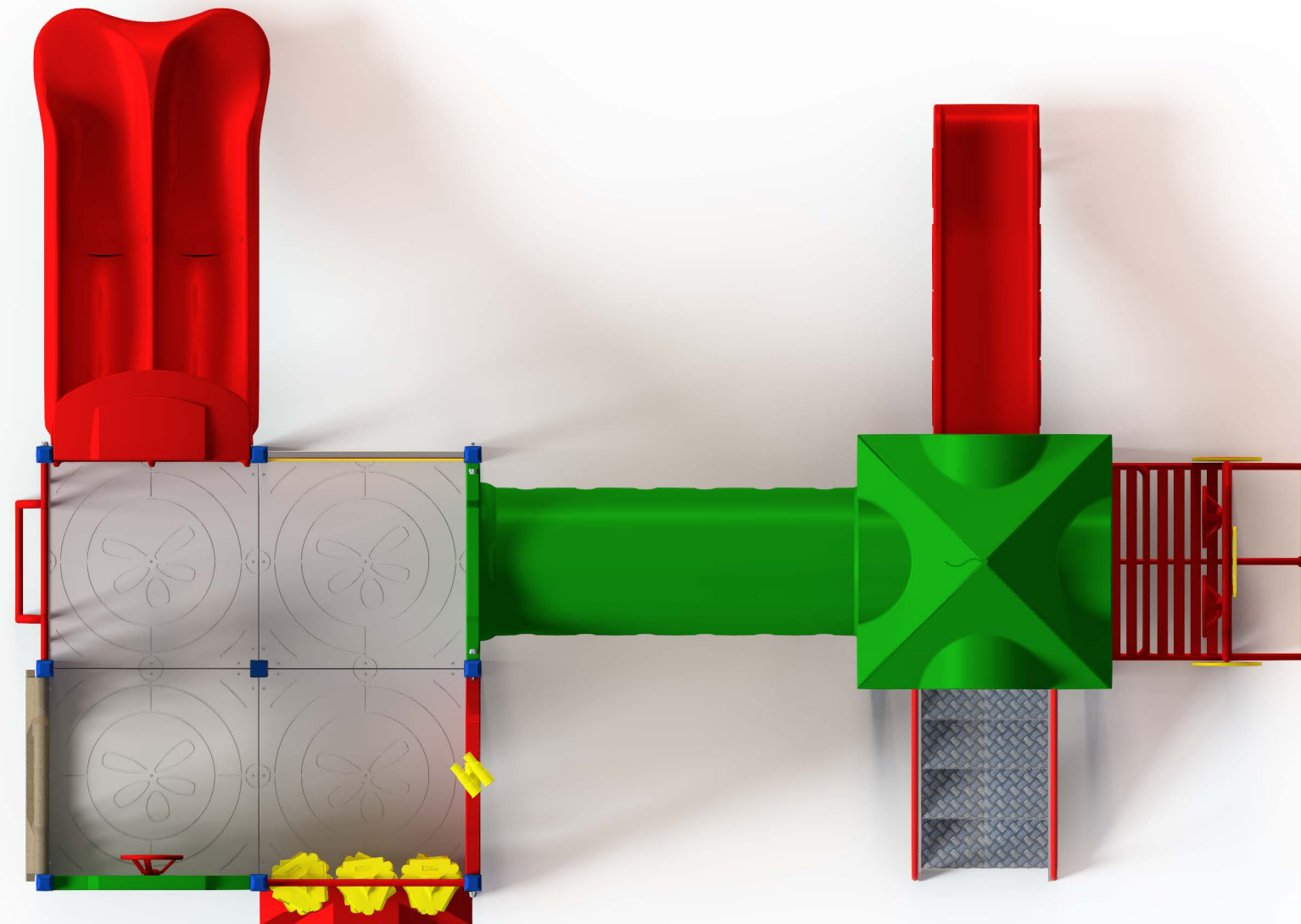
Lagoon 112 - Metaplay

Rear view

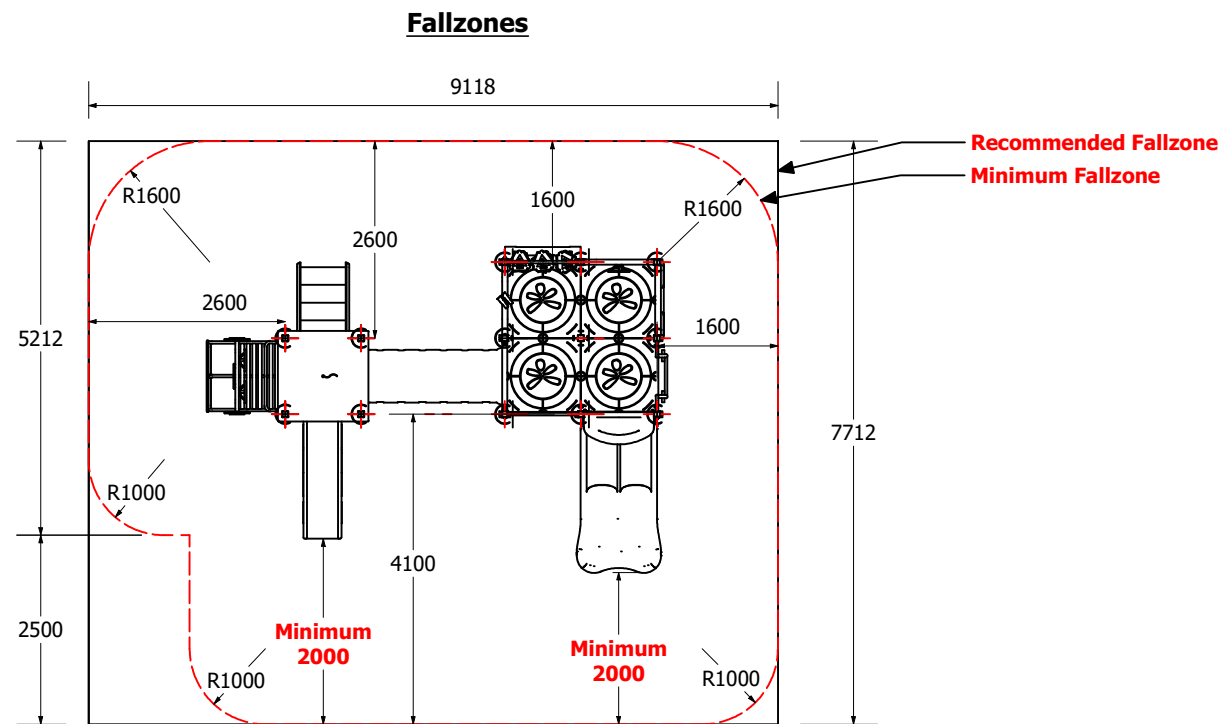


Lagoon 112 - Metaplay

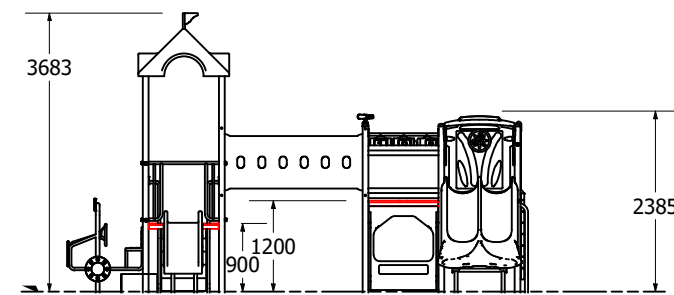
Plan view



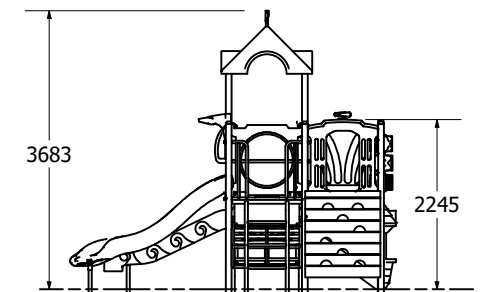
1:100 @ A3



Front Elevation



Right Elevation



Technical Information	
Main Dimension	9118 x 7712
Total Area	61m2
Max FHO	1200
Heaviest Part	80kg
Compliant to	NZS 5828:2015 AS 4685:2017 EN 1176:2008

REVISION HISTORY			
REV	DESCRIPTION	DATE	BY
0	Creation	11/08/2017	