

2.8m Octagonal Tower 8308

ZCORD Number



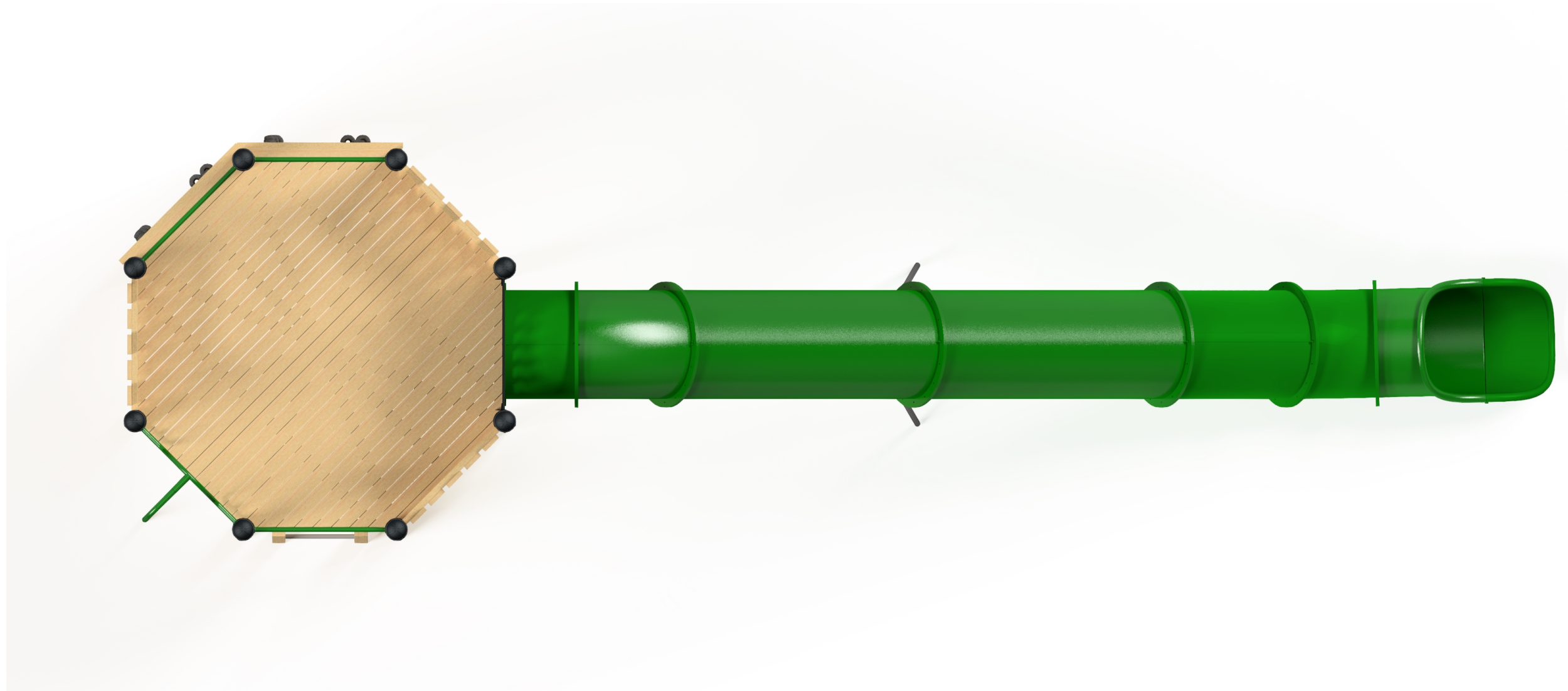
2.8m Octagonal Tower 8308

ZCORD Number



2.8m Octagonal Tower 8308

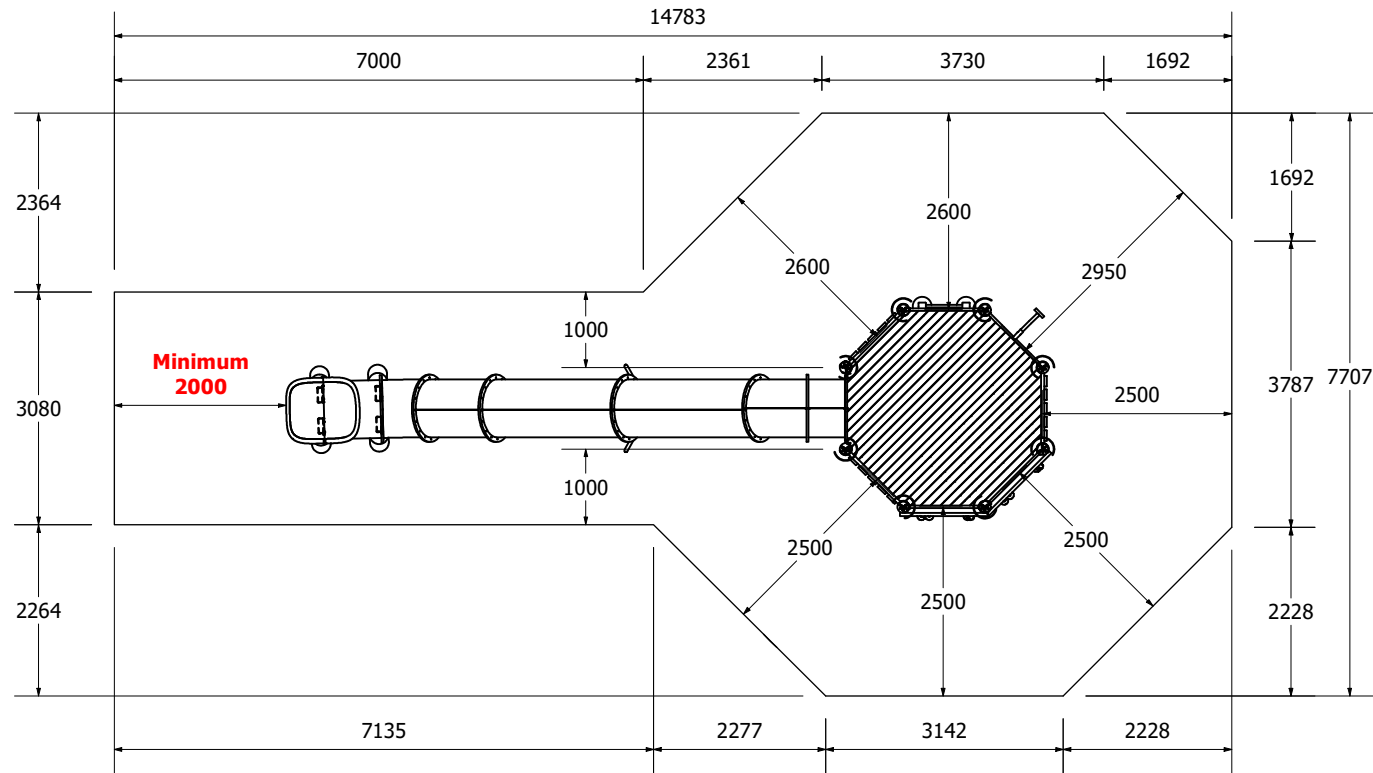
ZCORD Number



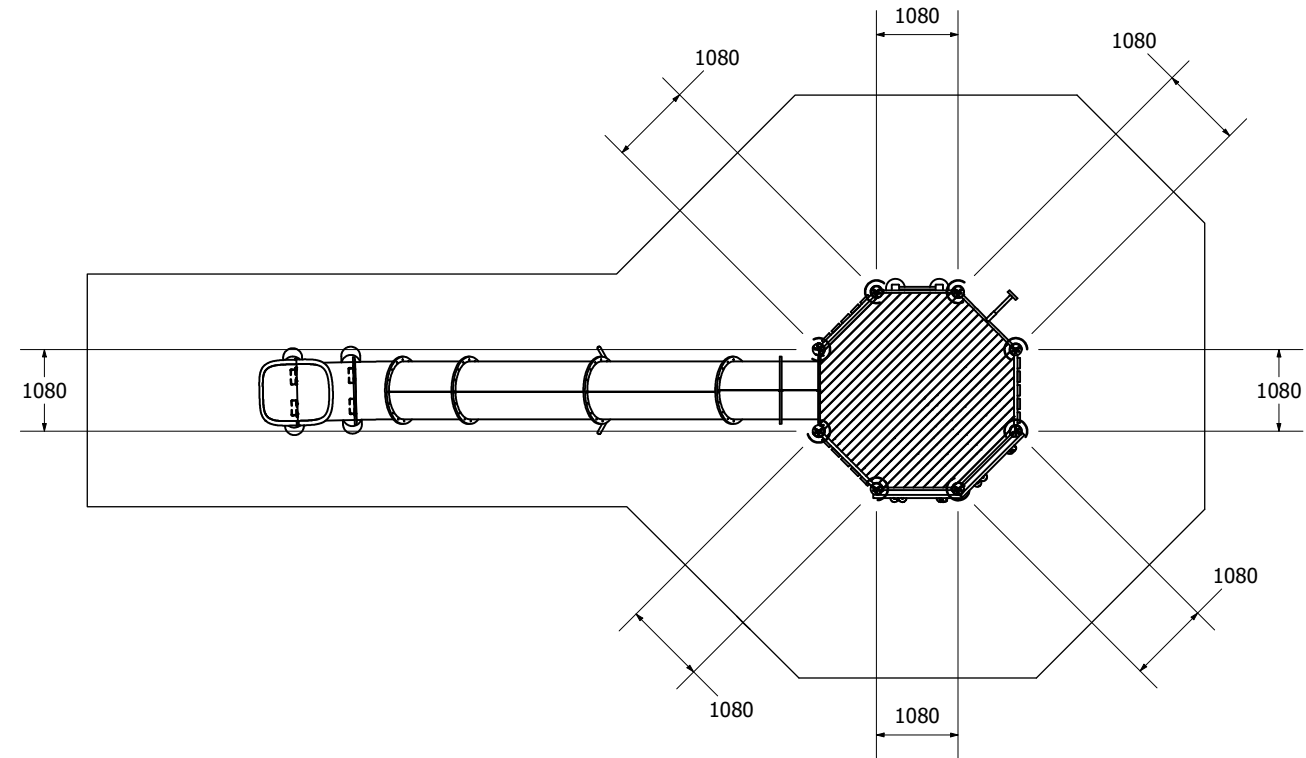
2.8m Octagonal Tower 8308

ZCORD Number
1:100 @ A3

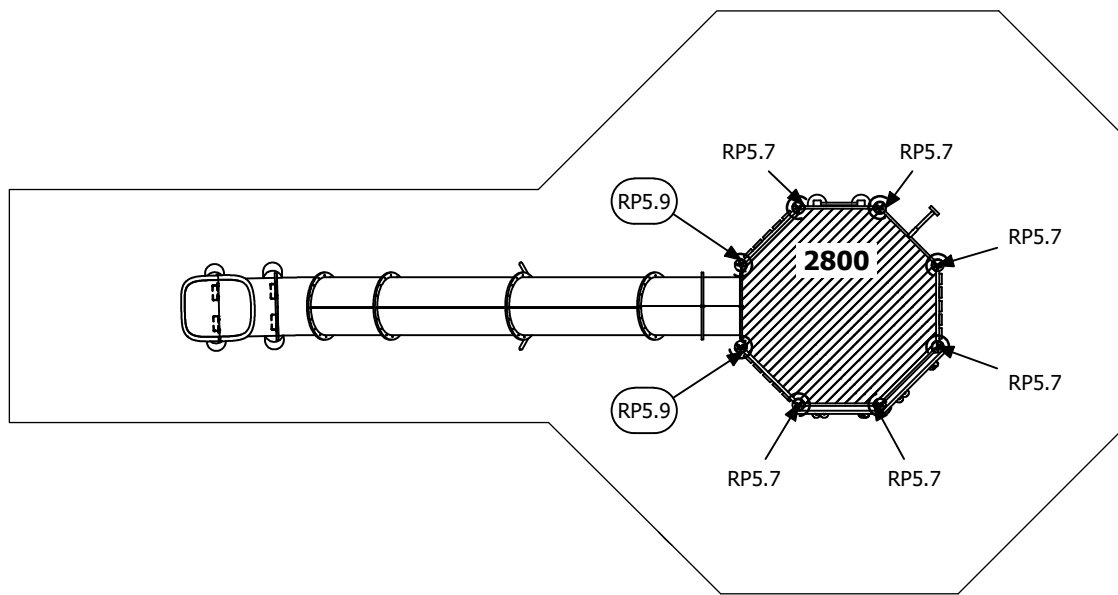
Fallzones



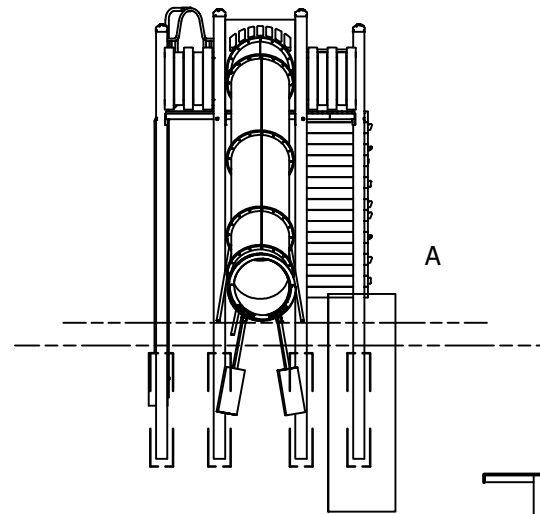
Pole Dimensions



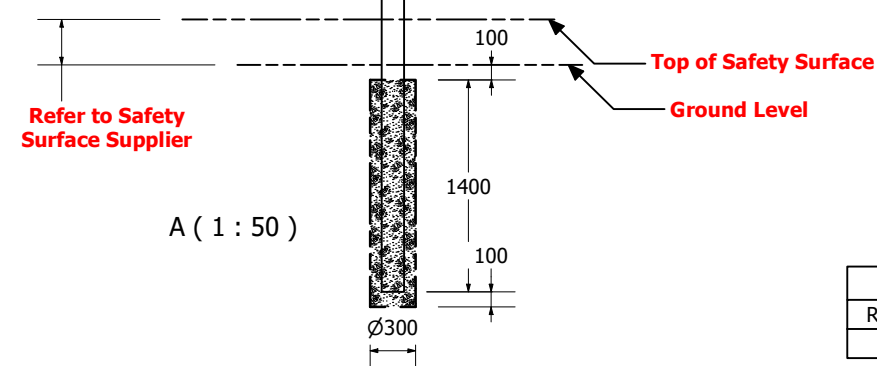
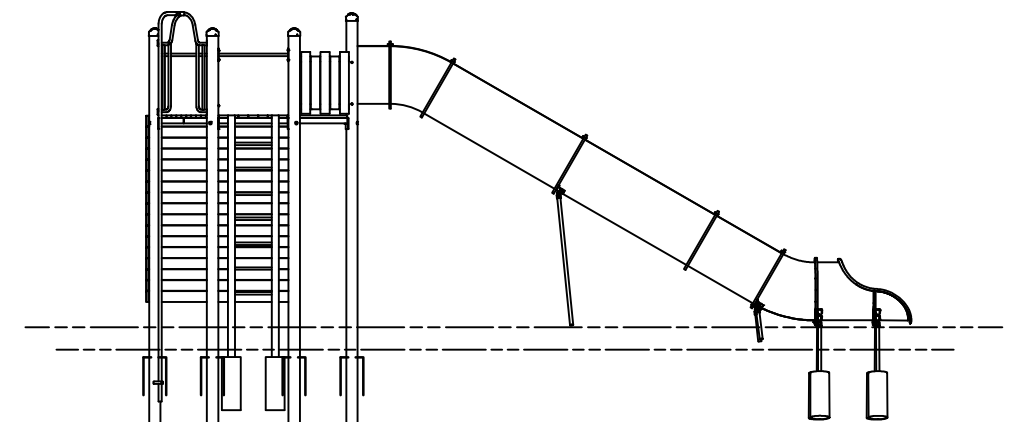
Pole Type



Front Elevation



Right Elevation



Technical Information	
Main Dimension	14783 x 7707
Total Area	72m ²
Max FHOV	2800
Heaviest Part	--
Compliant to	NZS 5828:2015 AS 4685:2017 EN 1176:2008

REVISION HISTORY			
REV	DESCRIPTION	DATE	BY
0	Creation	7/08/2020	Sam