

TR327 MP

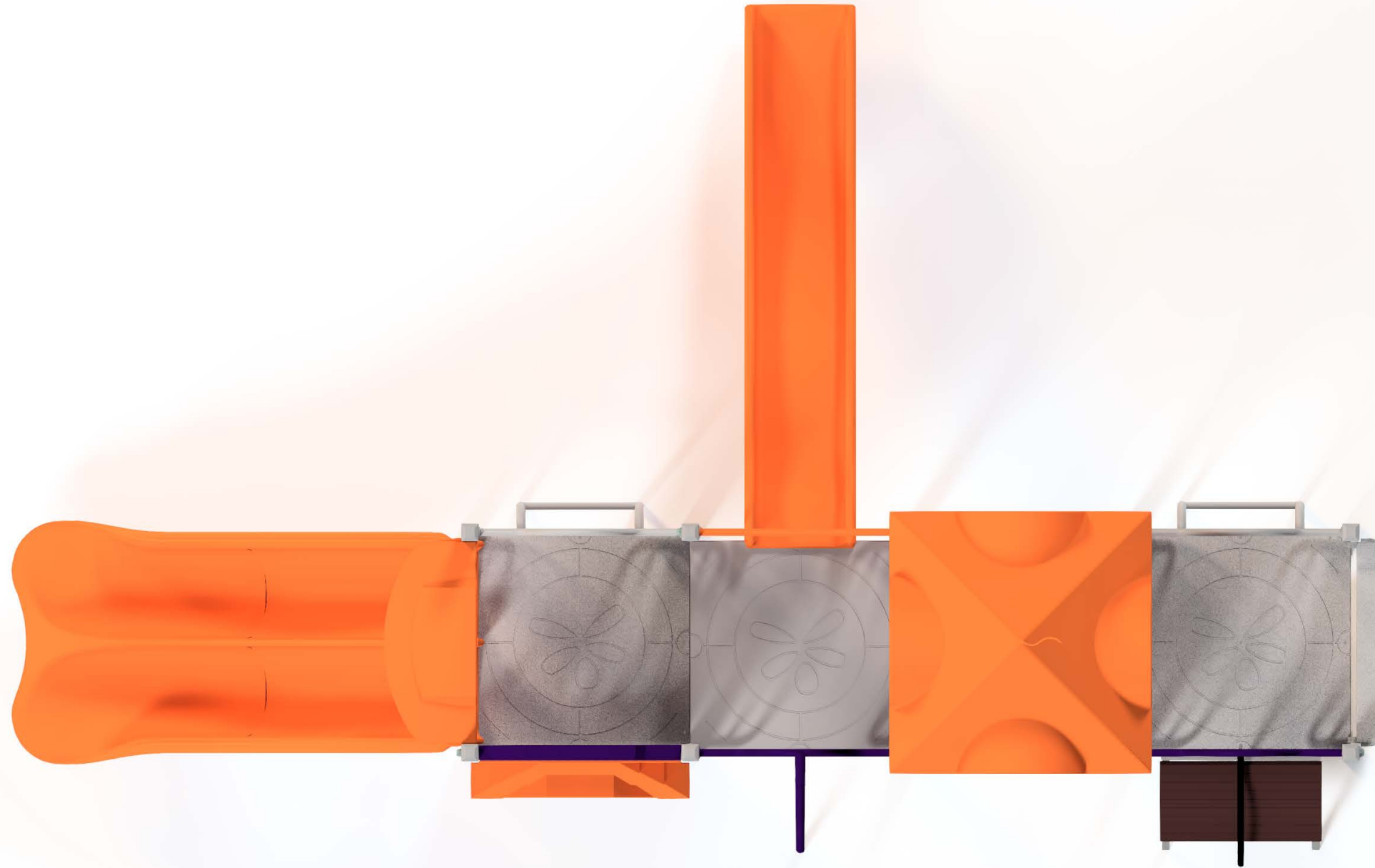
Front View



TR327 MP

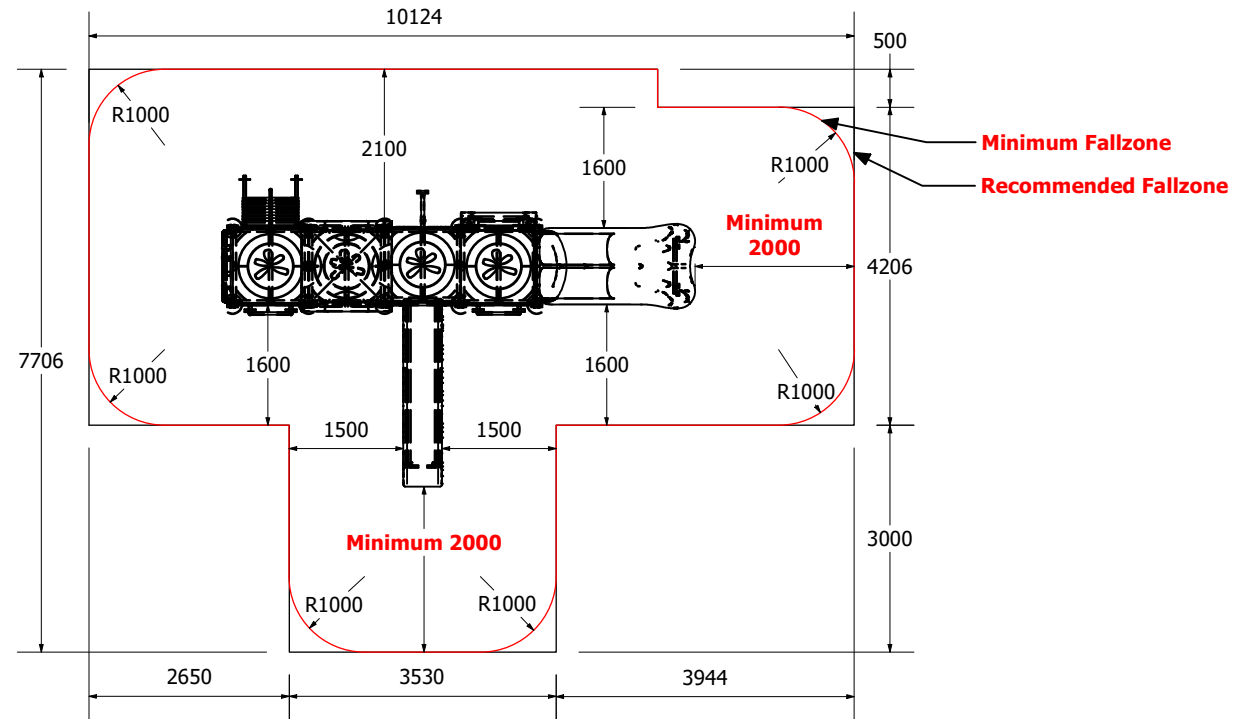
Rear View



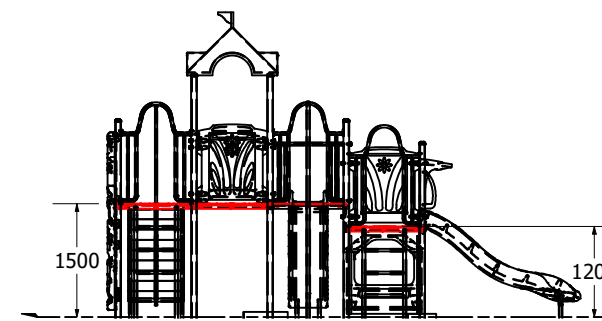


1:100 @ A3

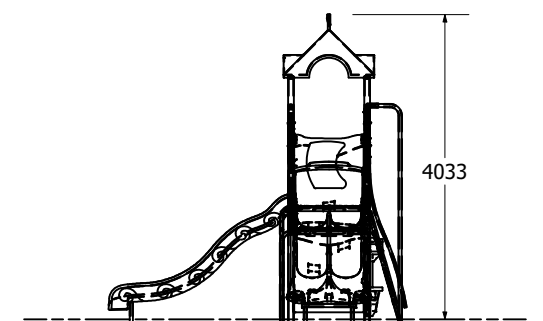
Fallzones



Front Elevation



Right Elevation



Technical Information	
Main Dimension	10124 x 7706
Total Area	57m ²
Max FHO	1800
Heaviest Part	57 kgs
Compliant to	NZS 5828:2015 AS 4685:2017 EN 1176:2008

REVISION HISTORY			
REV	DESCRIPTION	DATE	BY
1	Creation	5/03/2020	Sam