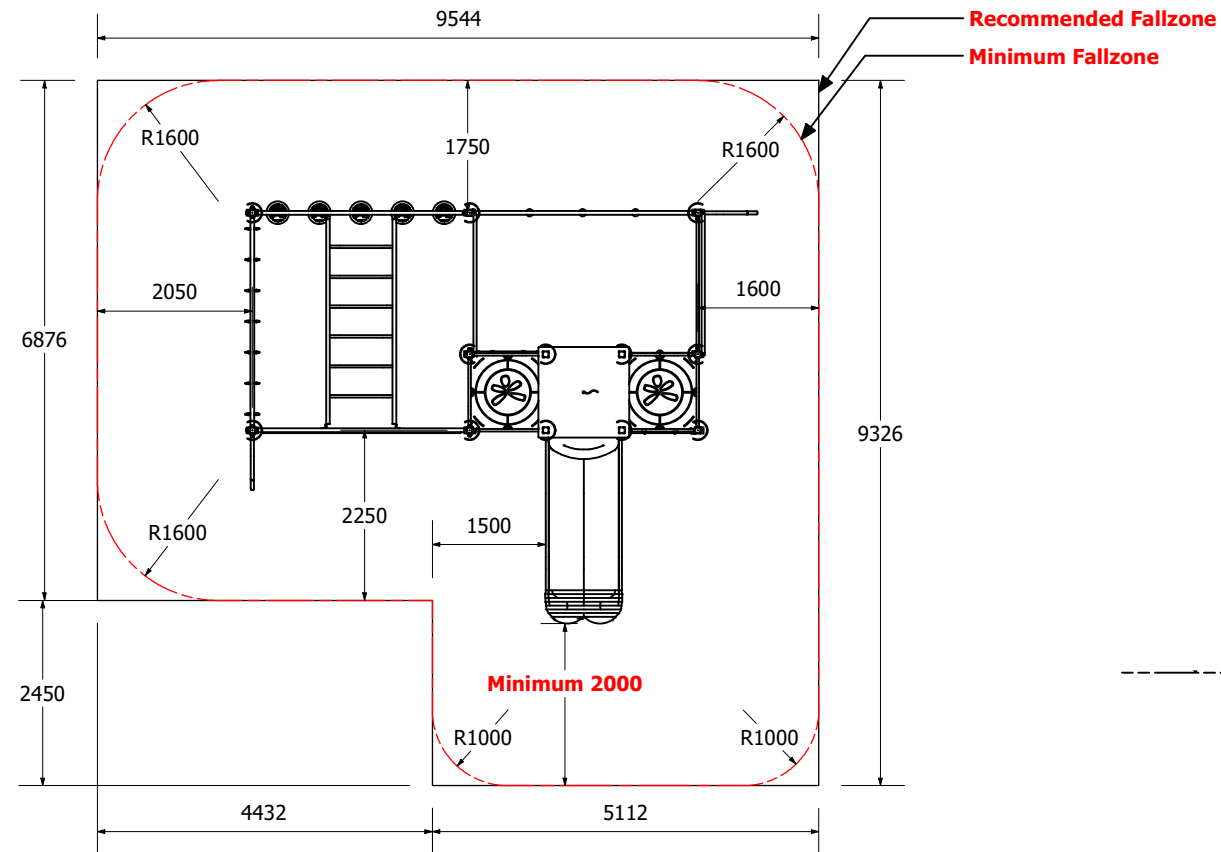
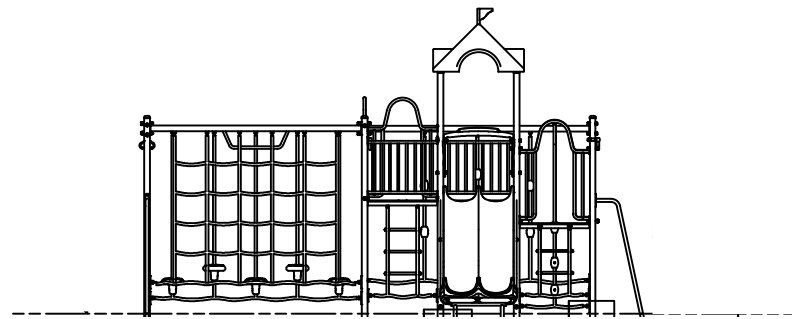


1:100 @ A3

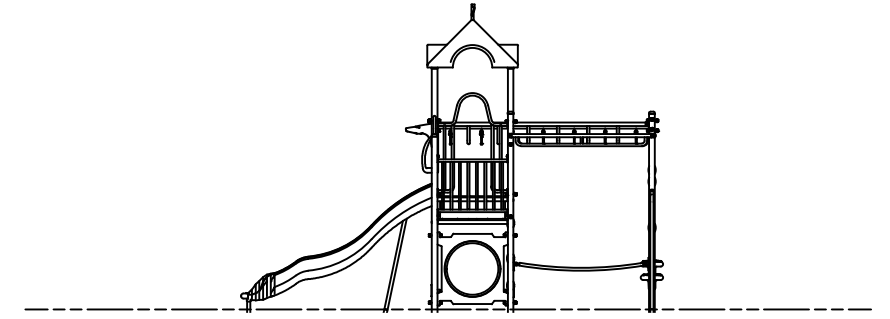
Fallzones



Front Elevation



Right Elevation



Technical Information	
Main Dimension	9544 x 9326
Total Area	79m2
Max FHOF	2200
Heaviest Part	40kg
Compliant to	NZS 5828:2015 AS 4685:2017 EN 1176:2008

REVISION HISTORY			
REV	DESCRIPTION	DATE	BY
2	Creation	10/07/2020	Sam