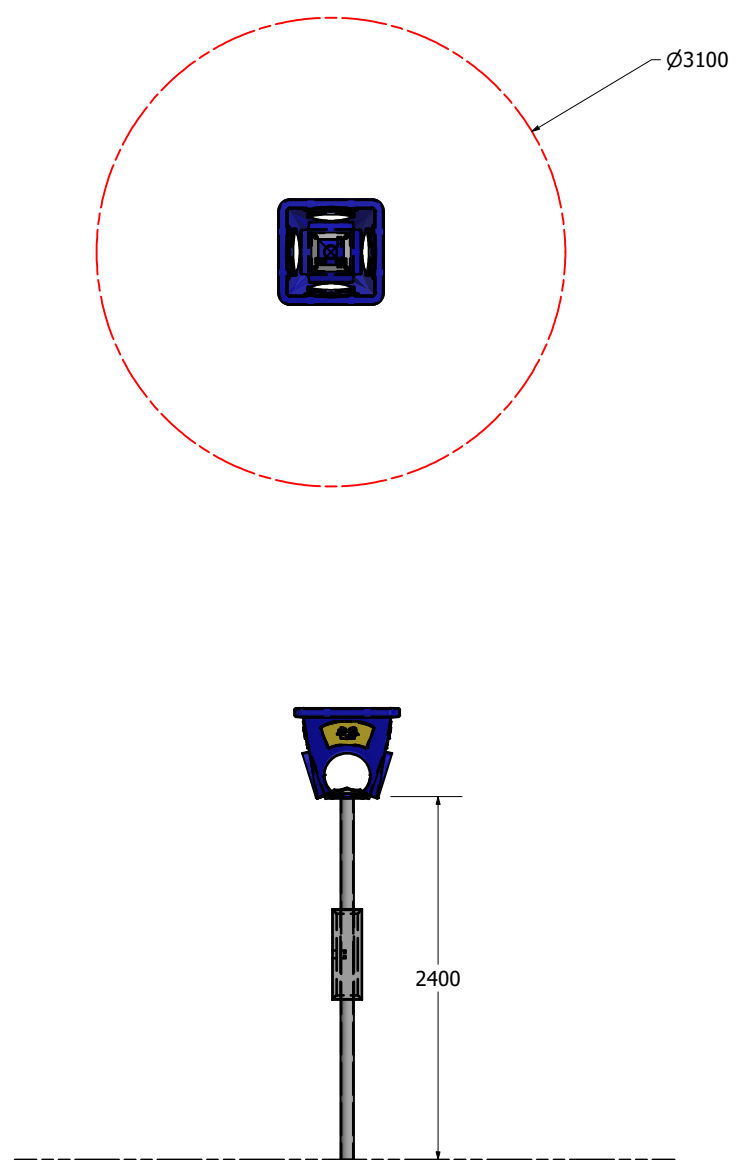


Toss and Score

ZCORD Number
1:50@A3



Technical Information	
Main Dimension	3100 dia
Total Area	8m2
Max FHOF	--
Heaviest Part	--
Compliant to	NZS 5828:2015 AS 4685:2017 EN 1176:2008