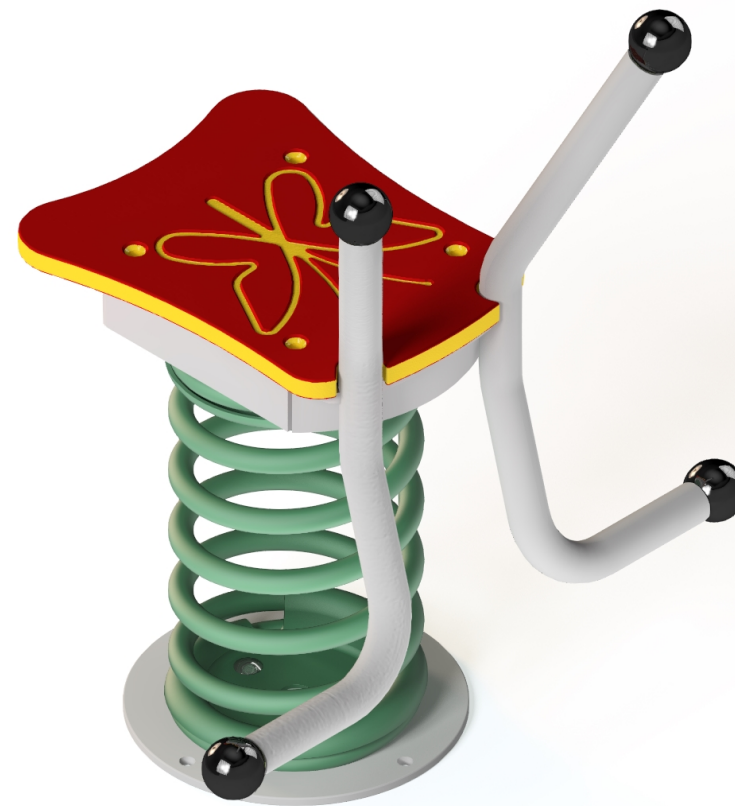
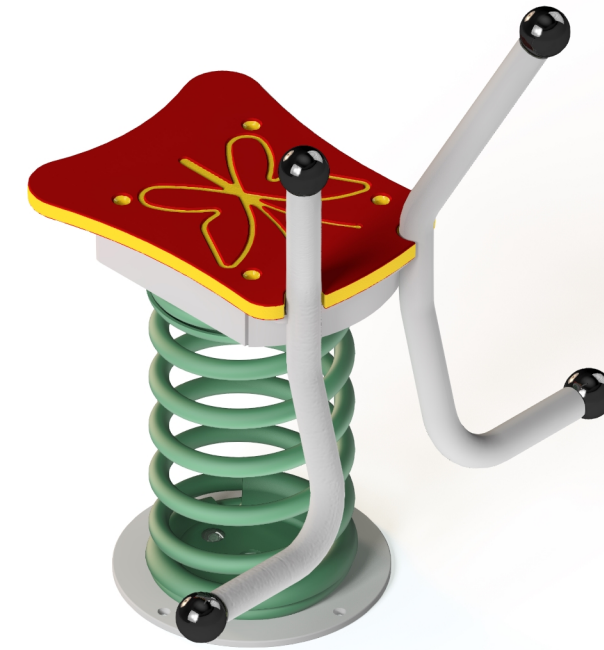
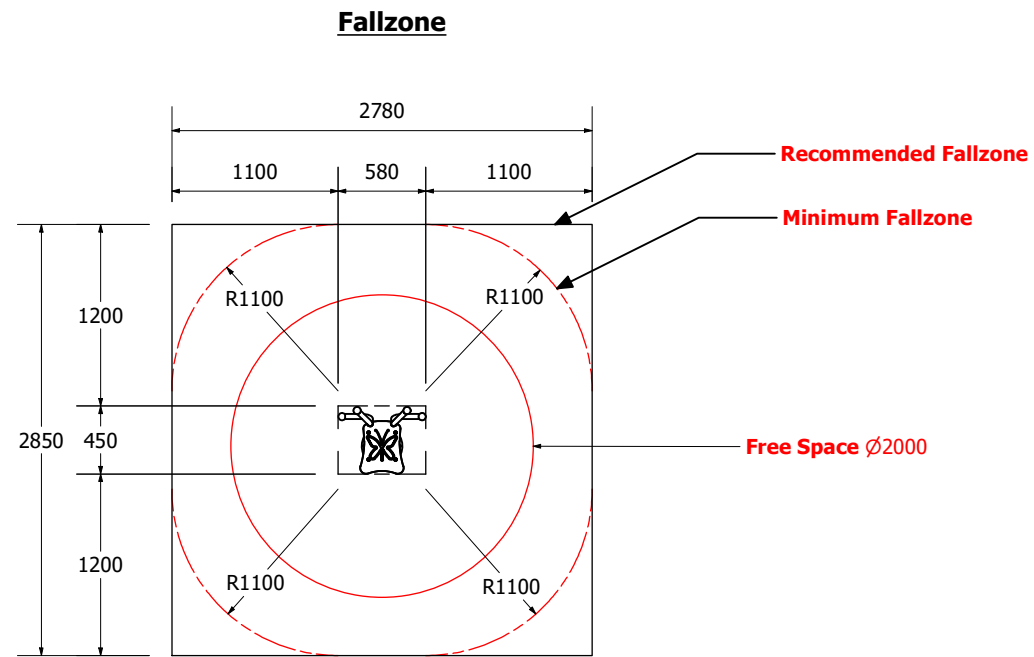


Butterfly Rocker

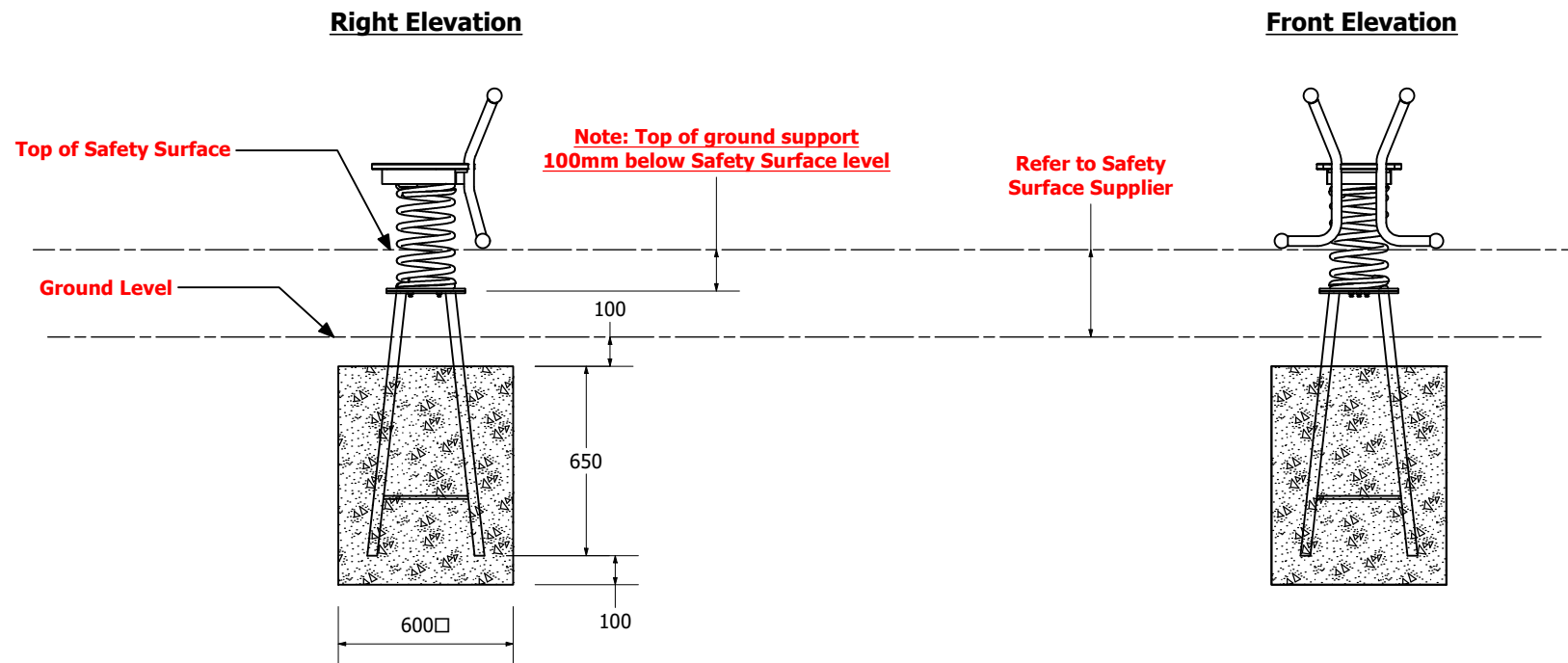
SMROMFBF



ZCORD Number
1:25 @ A3



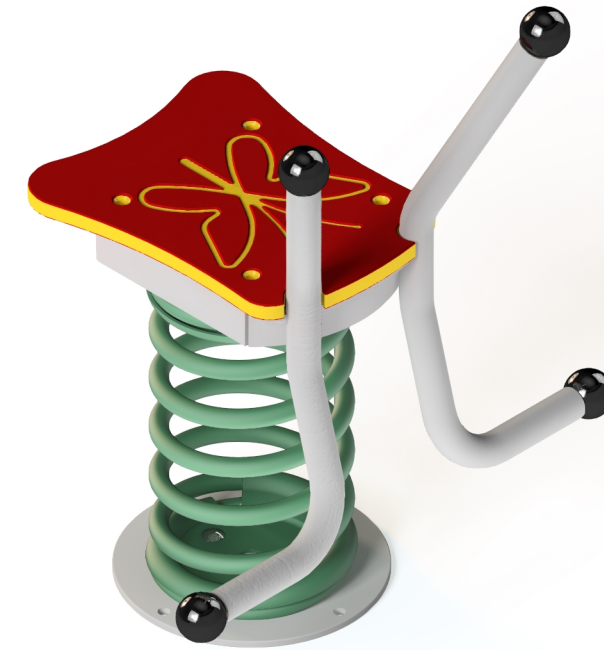
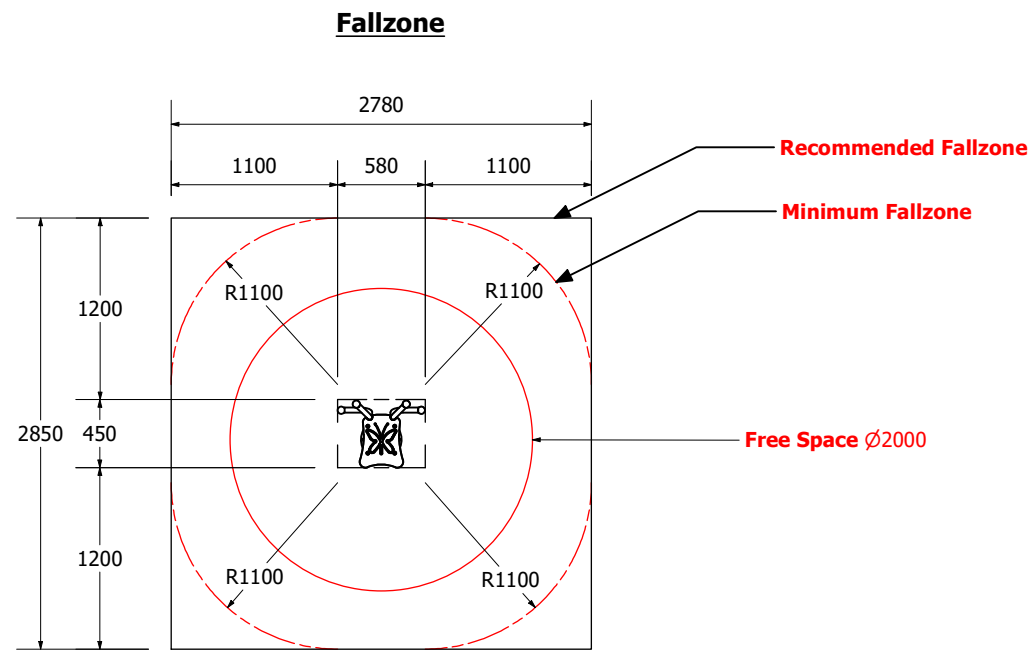
Loosefill - Bark and Cushionfall Application
1:25 @ A3



Technical Information	
Main Dimension	2780 x 2850
Total Area	8m ²
Max FHO	1m
Heaviest Part	--
Compliant to	NZS 5828:2015 AS 4685:2017 EN 1176:2008

REVISION HISTORY			
REV	DESCRIPTION	DATE	BY
0	Creation	6/11/2020	Sam

ZCORD Number



**Synthetic - Matting Application
1:25 @ A3**

