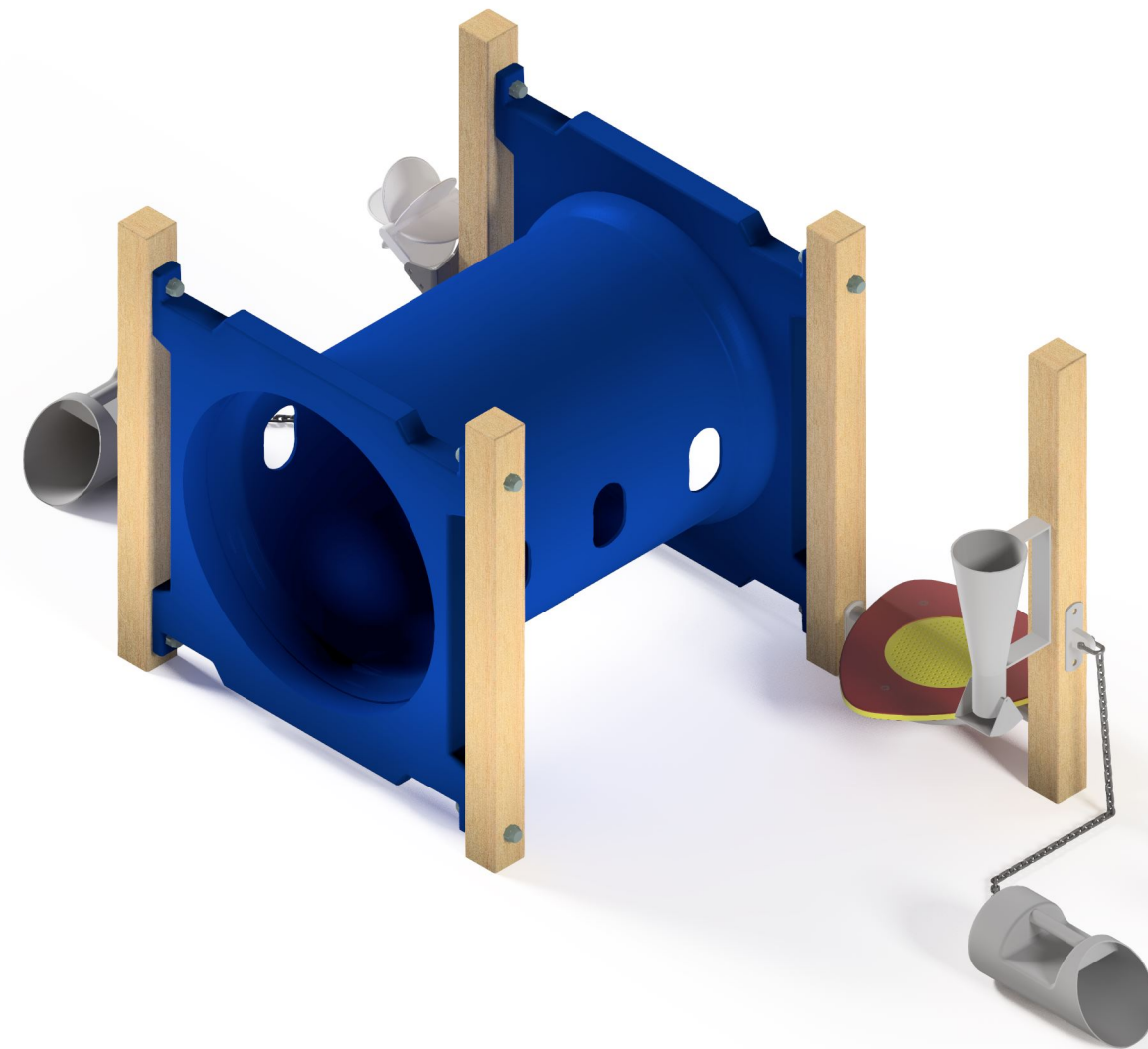
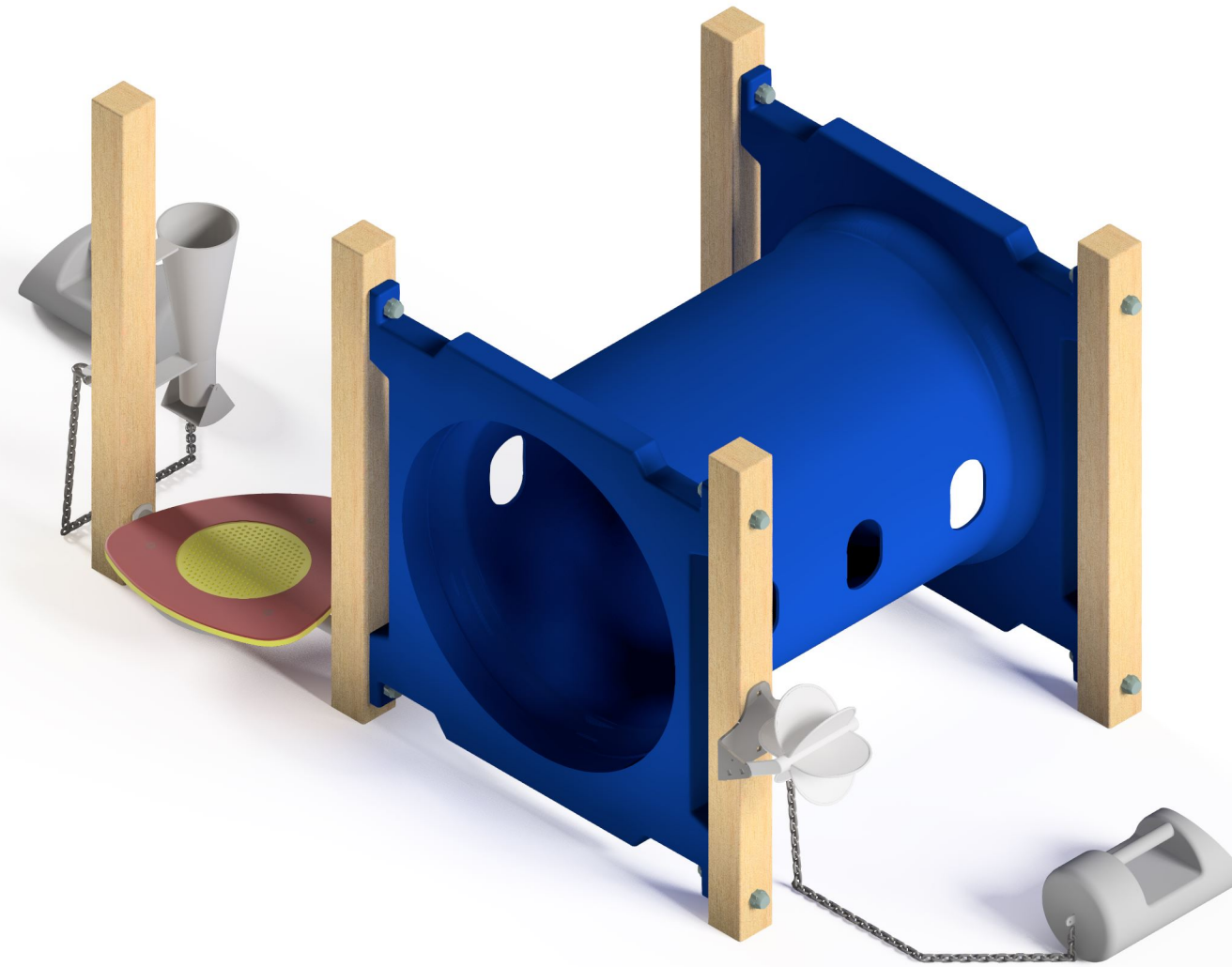


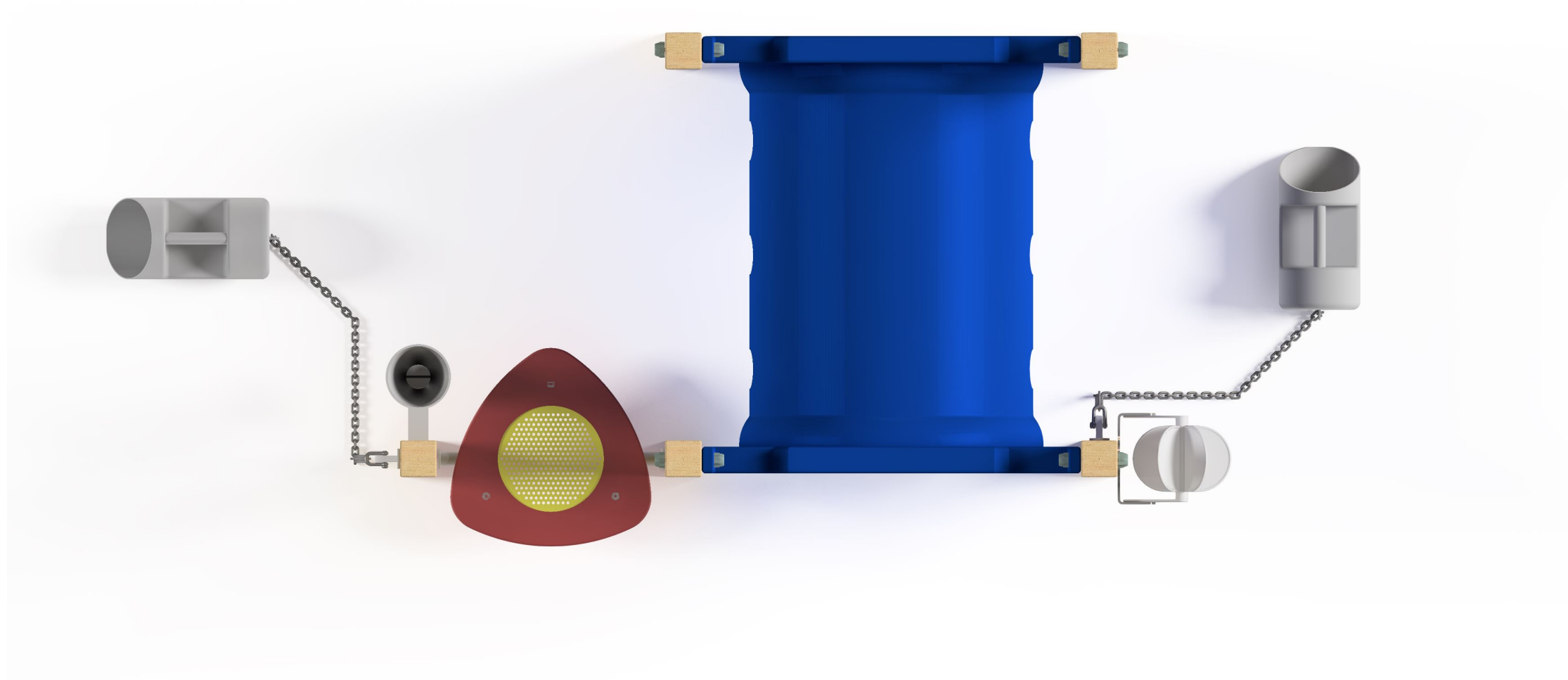
# Sandplay Module 223 - TP



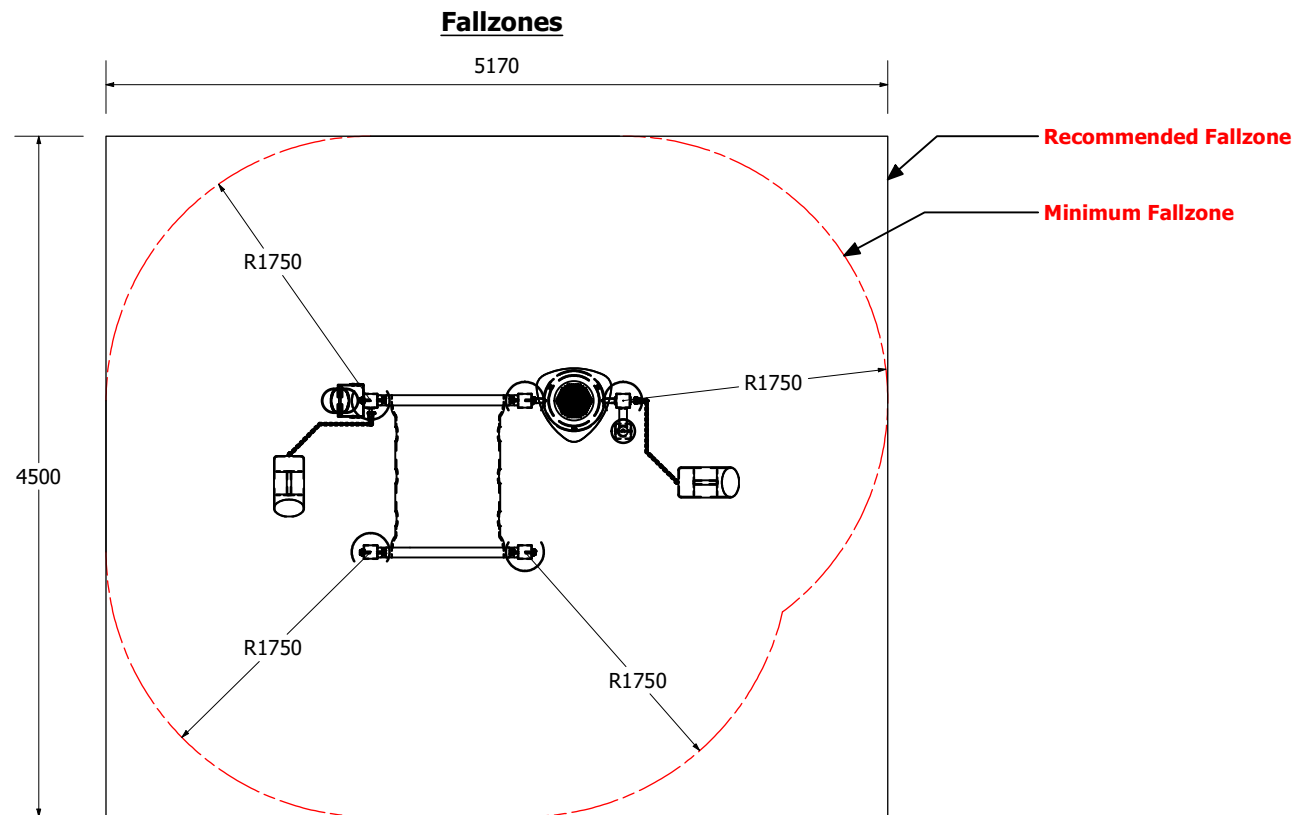
# Sandplay Module 223 - TP



# Sandplay Module 223 - TP



1:50 @ A3



**Front Elevation**

**Right Elevation**



Technical Information	
Main Dimension	5170 x 4500
Total Area	24m2
Max FHO	1m
Heaviest Part	32kg
Compliant to	NZS 5828:2015 AS 4685:2017 EN 1176:2008

REVISION HISTORY			
REV	DESCRIPTION	DATE	BY
0	Creation	1/10/2020	